

8	YG-TY-JM-001	角码	普通碳钢	4	0.005	
7	GB-T-819.1-2000-C-BE-M3X16	碳钢发黑十字沉头螺丝M3X16	普通碳钢	8	0.0009	
6	GB-T-819.1-2000-C-BE-M3X6	碳钢发黑十字沉头螺丝M3X6	普通碳钢	20	0.0004	
5	YG-G12B-0000-003	盖板	5052-H32	2	0.265	
4	YG-G12B-0000-004	侧板	6063-T5	2	0.283	
3	YG-G12B-0000-002	后板	6063-T5	1	0.303	
2	YG-G12B-0000-001	前面板	6063-T5	1	0.268	
1	YG-G12B-0000-005	拉手	6063-T5	2	0.077	
序号	图号	名称	材料	数量	单重	备注

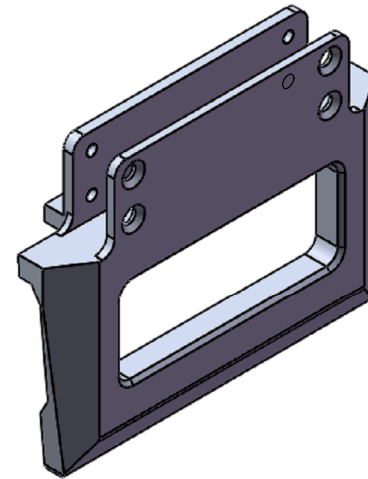
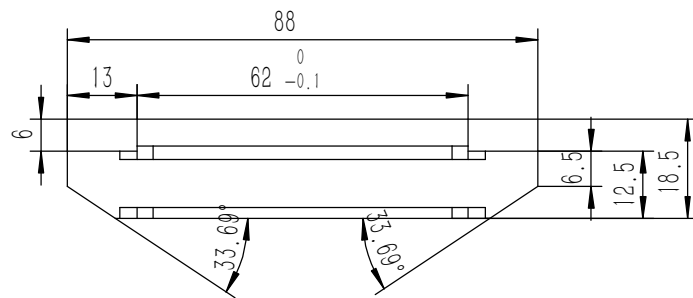
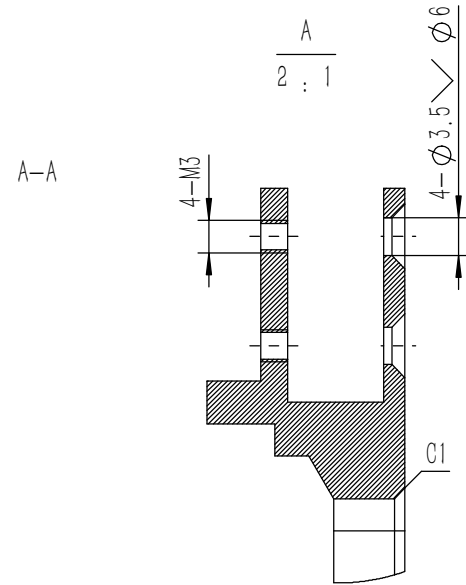
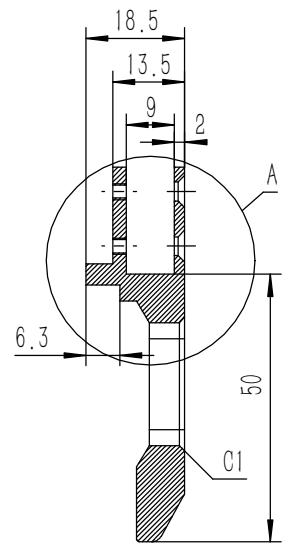
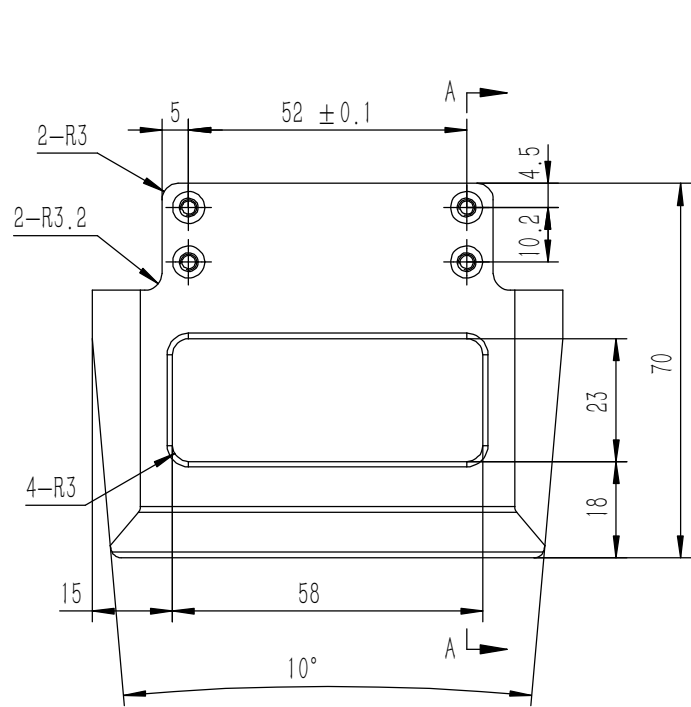
技术要求:

- 1、必须按照设计、工艺要求及本规定和有关标准进行装配;
- 2、所有零部件(包括外购、外协件)必须具有检验合格证方能进行装配;
- 3、零件在装配前必须清理和清洗干净,不得有毛刺、飞边、氧化皮、锈蚀、切屑、砂粒、灰尘和油污等,并应符合相应清洁度要求;
- 4、装配过程中零件不得磕碰、划伤和锈蚀;
- 5、油漆未干的零件不得进行装配;
- 6、相对运动的零件,装配时接触面间应加润滑油脂;
- 7、各零、部件装配后相对位置应准确。

Break sharp edges (未注锐边倒角): Ch 0.05 to 0.25 x45°	Angular tolerances (未注角度公差): <6° ± 10' <30° ± 20' <120° ± 30' >120° ± 1°
Position tolerances (未注位置公差): ± 0.05	

Tolerances (未注公差): 0.5 to 6 ± 0.1 6 to 30 ± 0.2 30 to 120 ± 0.3 120 to 400 ± 0.4	Material (材料): (装配图)
	Weight: (重量) (Kg): 1.857
	Protection: (表面处理):
	Part Name (零/部件名称): G12B机箱
Drawn by (绘图): 莫永康	Date (日期): 2020.05.28
Check by (校对):	Date (日期):
Signature by (批准):	Date (日期):

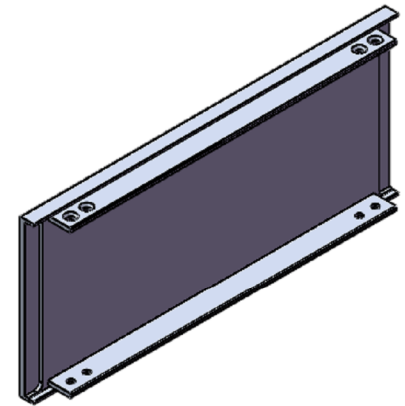
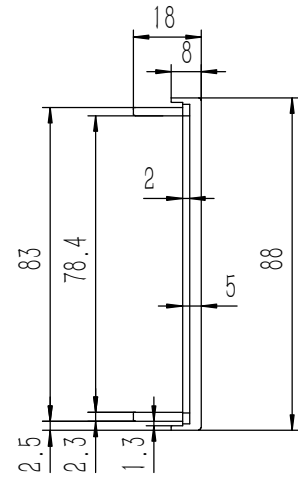
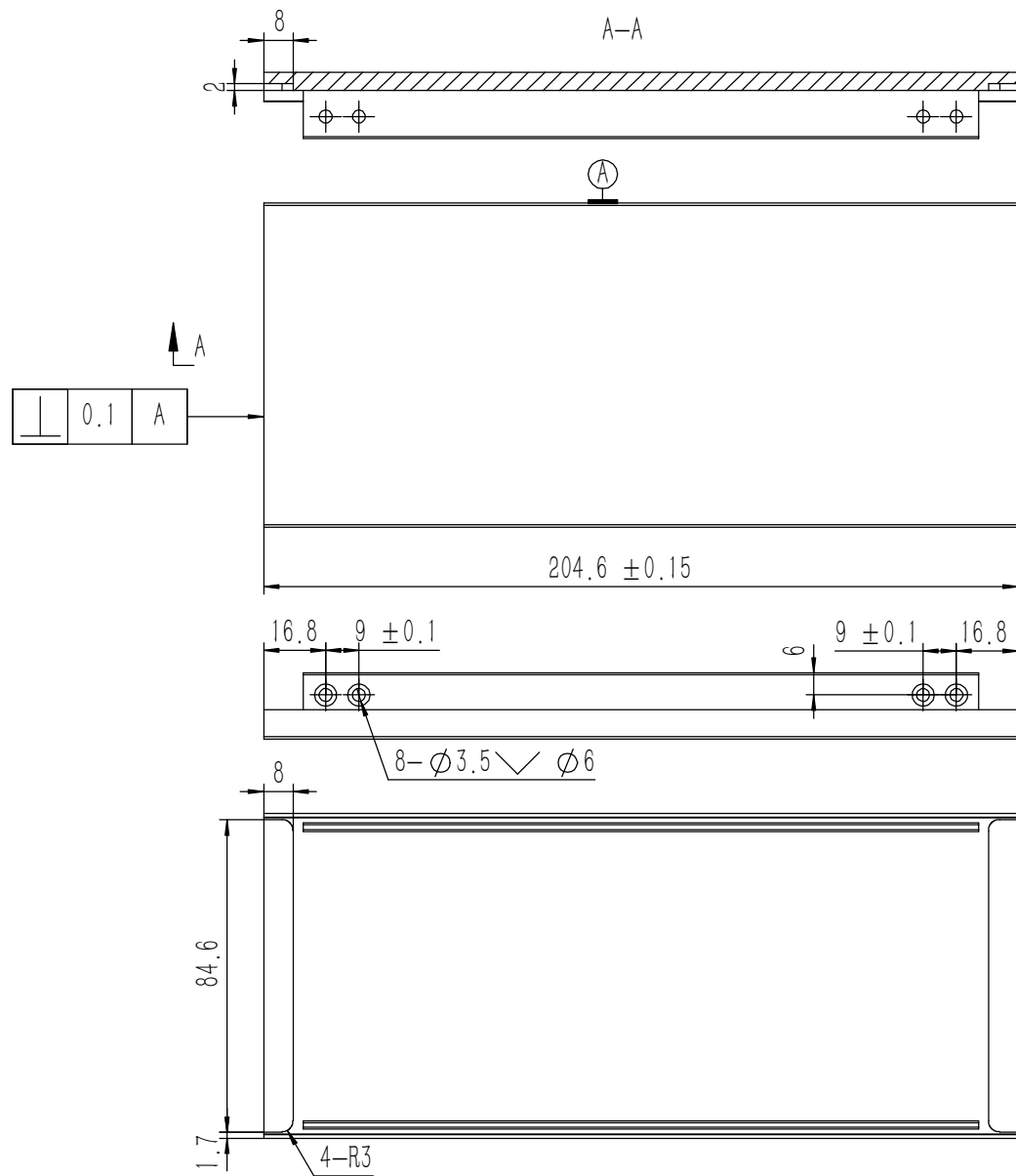
YONGU 永固	
Material (材料):	(装配图)
Weight: (重量) (Kg):	1.857
Protection: (表面处理):	
Part Name (零/部件名称):	G12B机箱
Material (材料):	普通碳钢
Quantity (数量):	4
Weight (单重):	0.005
Material (材料):	普通碳钢
Quantity (数量):	8
Weight (单重):	0.0009
Material (材料):	普通碳钢
Quantity (数量):	20
Weight (单重):	0.0004
Material (材料):	5052-H32
Quantity (数量):	2
Weight (单重):	0.265
Material (材料):	6063-T5
Quantity (数量):	2
Weight (单重):	0.283
Material (材料):	6063-T5
Quantity (数量):	1
Weight (单重):	0.303
Material (材料):	6063-T5
Quantity (数量):	1
Weight (单重):	0.268
Material (材料):	6063-T5
Quantity (数量):	2
Weight (单重):	0.077
Material (材料):	普通碳钢
Quantity (数量):	4
Weight (单重):	0.005
Material (材料):	普通碳钢
Quantity (数量):	8
Weight (单重):	0.0009
Material (材料):	普通碳钢
Quantity (数量):	20
Weight (单重):	0.0004
Material (材料):	5052-H32
Quantity (数量):	2
Weight (单重):	0.265
Material (材料):	6063-T5
Quantity (数量):	2
Weight (单重):	0.283
Material (材料):	6063-T5
Quantity (数量):	1
Weight (单重):	0.303
Material (材料):	6063-T5
Quantity (数量):	1
Weight (单重):	0.268
Material (材料):	6063-T5
Quantity (数量):	2
Weight (单重):	0.077
Material (材料):	普通碳钢
Quantity (数量):	4
Weight (单重):	0.005
Material (材料):	普通碳钢
Quantity (数量):	8
Weight (单重):	0.0009
Material (材料):	普通碳钢
Quantity (数量):	20
Weight (单重):	0.0004
Material (材料):	5052-H32
Quantity (数量):	2
Weight (单重):	0.265
Material (材料):	6063-T5
Quantity (数量):	2
Weight (单重):	0.283
Material (材料):	6063-T5
Quantity (数量):	1
Weight (单重):	0.303
Material (材料):	6063-T5
Quantity (数量):	1
Weight (单重):	0.268
Material (材料):	6063-T5
Quantity (数量):	2
Weight (单重):	0.077
Material (材料):	普通碳钢
Quantity (数量):	4
Weight (单重):	0.005
Material (材料):	普通碳钢
Quantity (数量):	8
Weight (单重):	0.0009
Material (材料):	普通碳钢
Quantity (数量):	20
Weight (单重):	0.0004
Material (材料):	5052-H32
Quantity (数量):	2
Weight (单重):	0.265
Material (材料):	6063-T5
Quantity (数量):	2
Weight (单重):	0.283
Material (材料):	6063-T5
Quantity (数量):	1
Weight (单重):	0.303
Material (材料):	6063-T5
Quantity (数量):	1
Weight (单重):	0.268
Material (材料):	6063-T5
Quantity (数量):	2
Weight (单重):	0.077
Material (材料):	普通碳钢
Quantity (数量):	4
Weight (单重):	0.005
Material (材料):	普通碳钢
Quantity (数量):	8
Weight (单重):	0.0009
Material (材料):	普通碳钢
Quantity (数量):	20
Weight (单重):	0.0004
Material (材料):	5052-H32
Quantity (数量):	2
Weight (单重):	0.265
Material (材料):	6063-T5
Quantity (数量):	2
Weight (单重):	0.283
Material (材料):	6063-T5
Quantity (数量):	1
Weight (单重):	0.303
Material (材料):	6063-T5
Quantity (数量):	1
Weight (单重):	0.268
Material (材料):	6063-T5
Quantity (数量):	2
Weight (单重):	0.077
Material (材料):	普通碳钢
Quantity (数量):	4
Weight (单重):	0.005
Material (材料):	普通碳钢
Quantity (数量):	8
Weight (单重):	0.0009
Material (材料):	普通碳钢
Quantity (数量):	20
Weight (单重):	0.0004
Material (材料):	5052-H32
Quantity (数量):	2
Weight (单重):	0.265
Material (材料):	6063-T5
Quantity (数量):	2
Weight (单重):	0.283
Material (材料):	6063-T5
Quantity (数量):	1
Weight (单重):	0.303
Material (材料):	6063-T5
Quantity (数量):	1
Weight (单重):	0.268
Material (材料):	6063-T5
Quantity (数量):	2
Weight (单重):	0.077
Material (材料):	普通碳钢
Quantity (数量):	4
Weight (单重):	0.005
Material (材料):	普通碳钢
Quantity (数量):	8
Weight (单重):	0.0009
Material (材料):	普通碳钢
Quantity (数量):	20
Weight (单重):	0.0004
Material (材料):	5052-H32
Quantity (数量):	2
Weight (单重):	0.265
Material (材料):	6063-T5
Quantity (数量):	2
Weight (单重):	0.283
Material (材料):	6063-T5
Quantity (数量):	1
Weight (单重):	0.303
Material (材料):	6063-T5
Quantity (数量):	1
Weight (单重):	0.268
Material (材料):	6063-T5
Quantity (数量):	2
Weight (单重):	0.077
Material (材料):	普通碳钢
Quantity (数量):	4
Weight (单重):	0.005
Material (材料):	普通碳钢
Quantity (数量):	8
Weight (单重):	0.0009
Material (材料):	普通碳钢
Quantity (数量):	20
Weight (单重):	0.0004
Material (材料):	5052-H32
Quantity (数量):	2
Weight (单重):	0.265
Material (材料):	6063-T5
Quantity (数量):	2
Weight (单重):	0.283
Material (材料):	6063-T5
Quantity (数量):	1
Weight (单重):	0.303
Material (材料):	6063-T5
Quantity (数量):	1
Weight (单重):	0.268
Material (材料):	6063-T5
Quantity (数量):	2
Weight (单重):	0.077
Material (材料):	普通碳钢
Quantity (数量):	4
Weight (单重):	0.005
Material (材料):	普通碳钢
Quantity (数量):	8
Weight (单重):	0.0009
Material (材料):	普通碳钢
Quantity (数量):	20
Weight (单重):	0.0004
Material (材料):	5052-H32
Quantity (数量):	2
Weight (单重):	0.265
Material (材料):	6063-T5
Quantity (数量):	2
Weight (单重):	0.283
Material (材料):	6063-T5
Quantity (数量):	1
Weight (单重):	0.303
Material (材料):	6063-T5
Quantity (数量):	1
Weight (单重):	0.268
Material (材料):	6063-T5
Quantity (数量):	2
Weight (单重):	0.077
Material (材料):	普通碳钢
Quantity (数量):	4
Weight (单重):	0.005
Material (材料):	普通碳钢
Quantity (数量):	8
Weight (单重):	0.0009
Material (材料):	普通碳钢
Quantity (数量):	20
Weight (单重):	0.0004
Material (材料):	5052-H32
Quantity (数量):	2
Weight (单重):	0.265
Material (材料):	6063-T5
Quantity (数量):	2
Weight (单重):	0.283
Material (材料):	6063-T5
Quantity (数量):	1
Weight (单重):	0.303
Material (材料):	6063-T5
Quantity (数量):	1
Weight (单重):	0.268
Material (材料):	6063-T5
Quantity (数量):	2
Weight (单重):	0.077
Material (材料):	普通碳钢
Quantity (数量):	4
Weight (单重):	0.005
Material (材料):	普通碳钢
Quantity (数量):	8
Weight (单重):	0.0009
Material (材料):	普通碳钢
Quantity (数量):	20
Weight (单重):	0.0004
Material (材料):	5052-H32
Quantity (数量):	2
Weight (单重):	0.265
Material (材料):	6063-T5
Quantity (数量):	2
Weight (单重):	0.283
Material (材料):	6063-T5
Quantity (数量):	1
Weight (单重):	0.303
Material (材料):	6063-T5
Quantity (数量):	1
Weight (单重):	0.268
Material (材料):	6063-T5
Quantity (数量):	2
Weight (单重):	0.077
Material (材料):	普通碳钢
Quantity (数量):	4
Weight (单重):	0.005
Material (材料):	普通碳钢
Quantity (数量):	8
Weight (单重):	0.0009
Material (材料):	普通碳钢
Quantity (数量):	20
Weight (单重):	0.0004
Material (材料):	5052-H32
Quantity (数量):	2
Weight (单重):	0.265
Material (材料):	6063-T5
Quantity (数量):	2
Weight (单重):	0.283
Material (材料):	6063-T5
Quantity (数量):	1
Weight (单重):	0.303
Material (材料):	6063-T5
Quantity (数量):	1
Weight (单重):	0.268
Material (材料):	6063-T5
Quantity (数量):	2
Weight (单重):	0.077
Material (材料):	普通碳钢
Quantity (数量):	4
Weight (单重):	0.005
Material (材料):	普通碳钢
Quantity (数量):	8
Weight (单重):	0.0009
Material (材料):	普通碳钢
Quantity (数量):	20
Weight (单重):	0.0004
Material (材料):	5052-H32
Quantity (数量):	2
Weight (单重):	0.265
Material (材料):	6063-T5
Quantity (数量):	2
Weight (单重):	0.283
Material (材料):	6063-T5
Quantity (数量):	1
Weight (单重):	0.303
Material (材料):	6063-T5
Quantity (数量):	1
Weight (单重):	0.268
Material (材料):	6063-T5
Quantity (数量):	2
Weight (单重):	0.077
Material (材料):	普通碳钢
Quantity (数量):	4
Weight (单重):	0.005
Material (材料):	普通碳钢
Quantity (数量):	8
Weight (单重):	0.0009
Material (材料):	普通碳钢
Quantity (数量):	20
Weight (单重):	0.0004
Material (材料):	5052-H32
Quantity (数量):	2
Weight (单重):	0.265
Material (材料):	6063-T5
Quantity (数量):	2
Weight (单重):	0.283
Material (材料):	6063-T5
Quantity (数量):	1
Weight (单重):	0.303
Material (材料):	6063-T5
Quantity (数量):	1
Weight (单重):	0.268
Material (材料):	6063-T5
Quantity (数量):	2
Weight (单重):	0.077
Material (材料):	普通碳钢
Quantity (数量):	4
Weight (单重):	0.005
Material (材料):	普通碳钢
Quantity (数量):	8
Weight (单重):	0.0009
Material (材料):	普通碳钢
Quantity (数量):	20
Weight (单重):	0.0004
Material (材料):	5052-H32
Quantity (数量):	2
Weight (单重):	0.265
Material (材料):	6063-T5
Quantity (数量):	2
Weight (单重):	0.283
Material (材料):	6063-T5
Quantity (数量):	1
Weight (单重):	0.303
Material (材料):	6063-T5
Quantity (数量):	1
Weight (单重):	0.268
Material (材料):	6063-T5
Quantity (数量):	2
Weight (单重):	0.077
Material (材料):	普通碳钢
Quantity (数量):	4
Weight (单重):	0.005
Material (材料):	普通碳钢
Quantity (数量):	8
Weight (单重):	0.0009
Material (材料):	普通碳钢
Quantity (数量):	20
Weight (单重):	0.0004
Material (材料):	5052-H32
Quantity (数量):	2
Weight (单重):	0.265
Material (材料):	6063-T5
Quantity (数量):	2
Weight (单重):	0.283
Material (材料):	6063-T5
Quantity (数量):	1
Weight (单重):	0.303
Material (材料):	6063-T5
Quantity (数量):	1
Weight (单重):	0.268
Material (材料):	6063-T5
Quantity (数量):	2
Weight (单重):	0.077
Material (材料):	普通碳钢
Quantity (数量):	



技术要求:
 1、零件加工表面不应有划痕、擦伤等损伤零件表面的缺陷;
 2、去除毛刺飞边,锐角倒钝;
 3、未标注尺寸见3D数模。

Break sharp edges (未注锐边倒角): Ch 0.05 to 0.25 x45°	Angular tolerances (未注角度公差): <6° ± 10' <30° ± 20' <120° ± 30' >120° ± 1°
Position tolerances (未注位置公差): ±0.05	

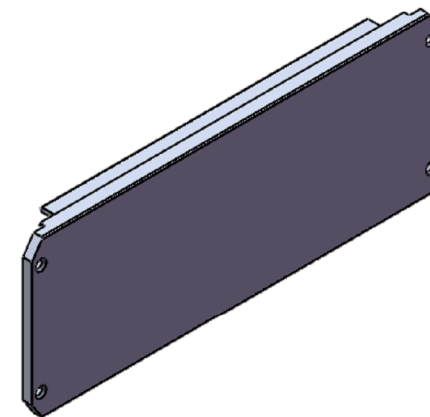
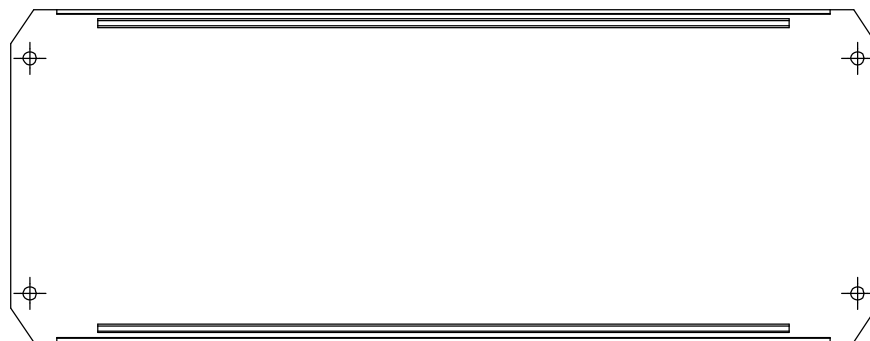
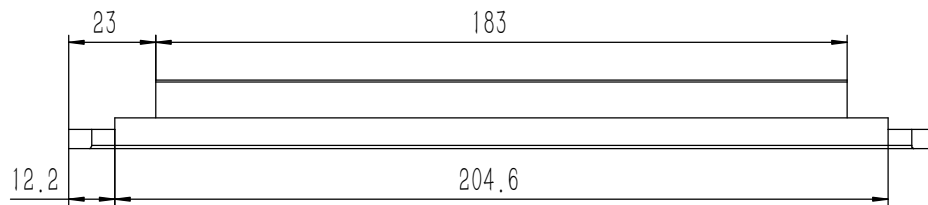
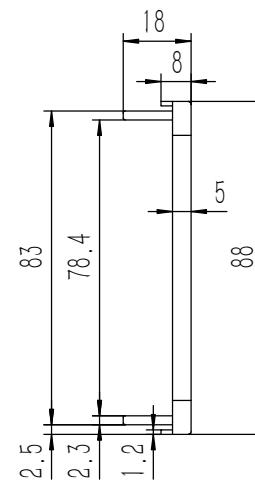
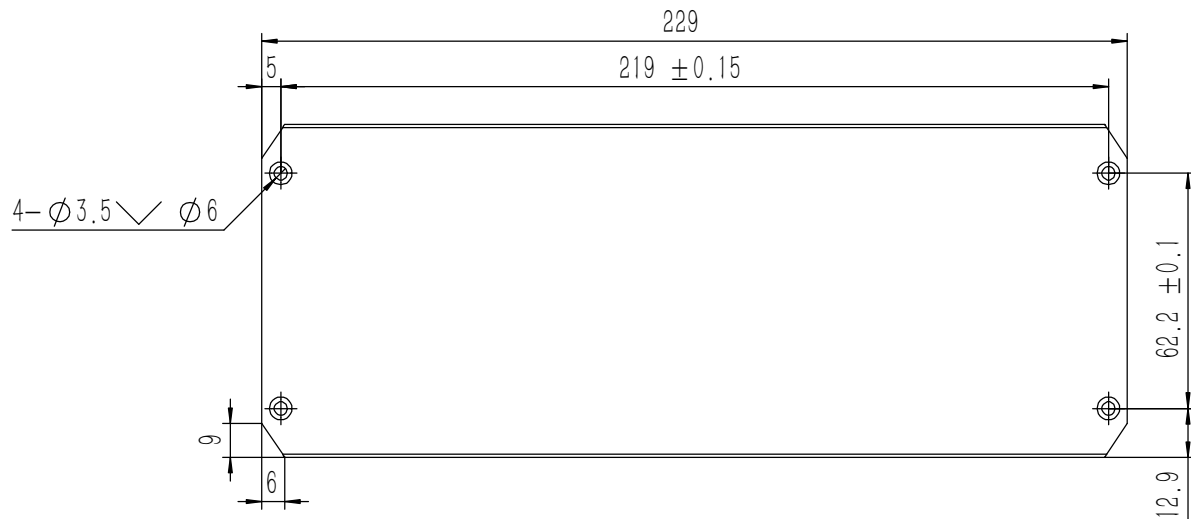
Tolerances (未注公差): 0.5 to 6 ± 0.1 6 to 30 ± 0.2 30 to 120 ± 0.3 120 to 400 ± 0.4	Material (材料): 6063-T5	
	Weight: (重量) (Kg) 0.077	
Protection: (表面处理):	Part Name (零/部件名称): 拉手	Drawing Number (图号): YG-G12B-0000-005
Signature by (批准):	Date (日期):	Size (图幅): A3
Signature by (绘图): 莫永康	Date (日期): 2020.05.29	Scale (比例): 1:1
Signature by (校对):	Date (日期):	Revision (版本): A1
Signature by (批准):	Date (日期):	Sheet (页数): 1 / 1



技术要求:

- 1、零件加工表面不应有划痕、擦伤等损伤零件表面的缺陷;
- 2、去除毛刺飞边, 锐角倒钝;
- 3、未标注尺寸见3D数模。

<p>Tolerances (未注公差):</p> <p>0.5 to 6 ± 0.1</p> <p>6 to 30 ± 0.2</p> <p>30 to 120 ± 0.3</p> <p>120 to 400 ± 0.4</p>	<p>Material (材料): 6063-T5</p> <p>Weight: (重量) (Kg): 0.268</p> <p>Protection: (表面处理):</p> <p>Part Name (零/部件名称):</p>	<p>YONGU 永固</p>				
				<p>Part Name (零/部件名称): 前面板</p>		
		<p>Angular tolerances (未注角度公差):</p> <p><6° ± 10'</p> <p><30° ± 20'</p> <p><120° ± 30'</p> <p>>120° ± 1°</p>		<p>Drawing Number (图号): YG-G12B-0000-001</p>		
		<p>Position tolerances (未注位置公差): ±0.05</p>		<p>Break sharp edges (未注锐边倒角): Ch 0.05 to 0.25 x45°</p>	<p>Drawn by (绘图): 莫永康</p>	<p>Date (日期): 2020.05.28</p>
		<p>Signature by (批准):</p>	<p>Date (日期):</p>	<p>Scale (比例): 1:1</p>	<p>Revision (版本): A1</p>	

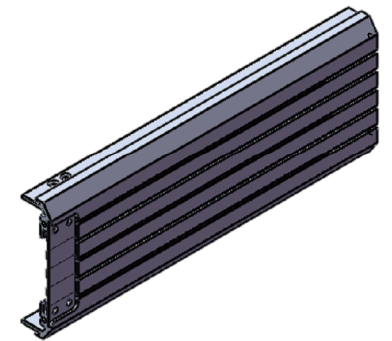
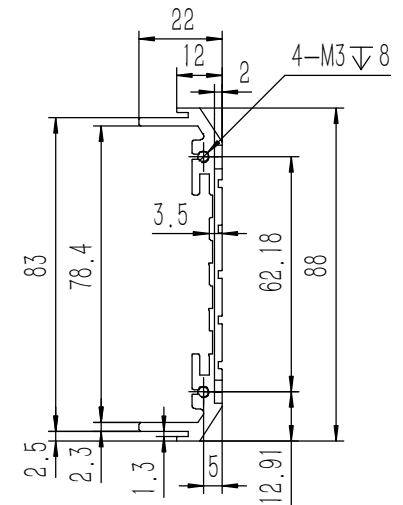
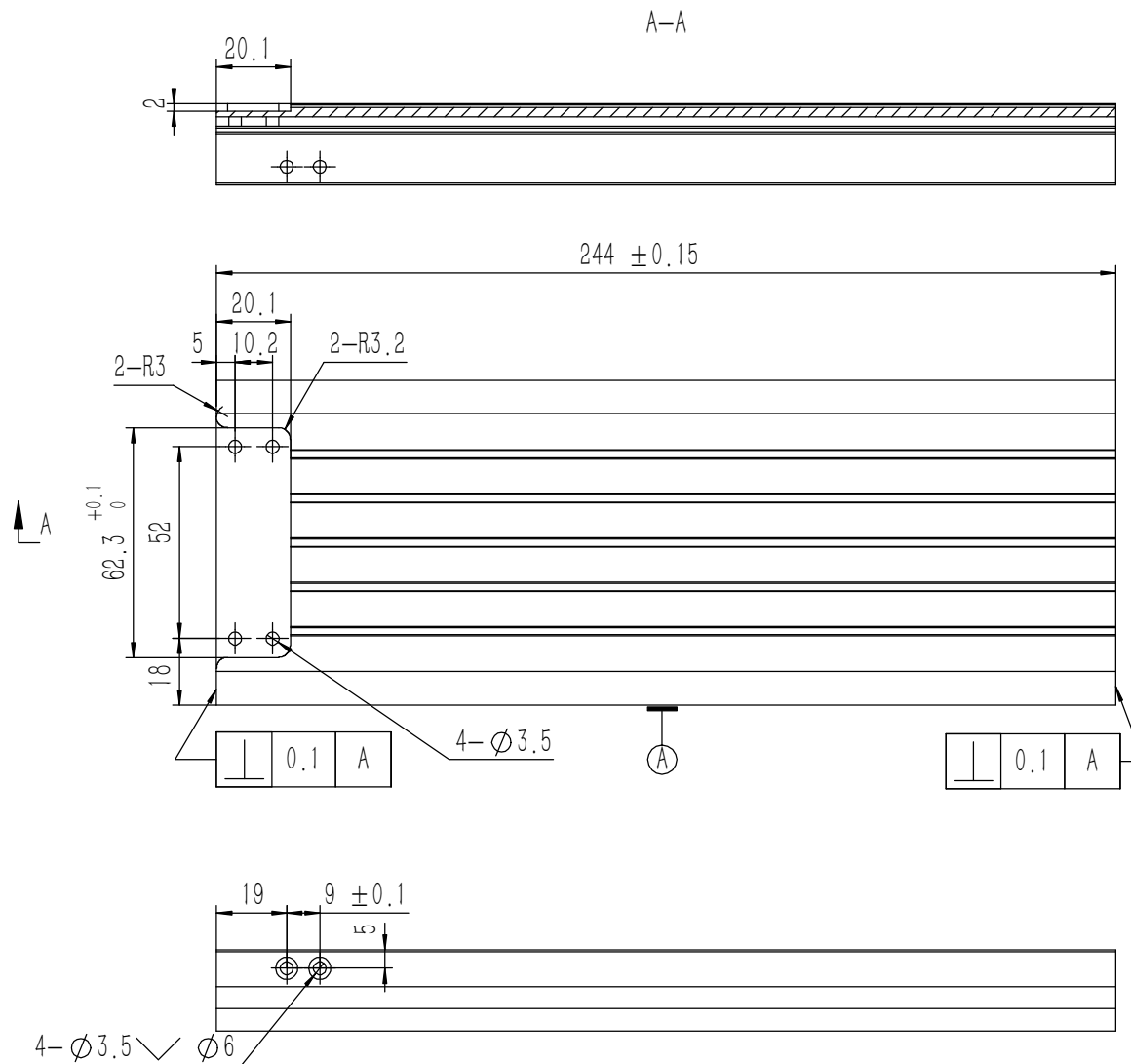


技术要求:

- 1、零件加工表面不应有划痕、擦伤等损伤零件表面的缺陷;
- 2、去除毛刺飞边, 锐角倒钝;
- 3、未标注尺寸见3D数模。

Tolerances (未注公差): 0.5 to 6 ± 0.1 6 to 30 ± 0.2 30 to 120 ± 0.3 120 to 400 ± 0.4	Material (材料): 6063-T5 Weight: (重量) (Kg): 0.303 Protection: (表面处理): Part Name (零/部件名称):	Material (材料): 6063-T5 Weight: (重量) (Kg): 0.303 Protection: (表面处理): Part Name (零/部件名称):	Drawing Number (图号): YG-G12B-0000-002
Break sharp edges (未注锐边倒角): Ch 0.05 to 0.25 x45°	Angular tolerances (未注角度公差): <6° ± 10' <30° ± 20' <120° ± 30' >120° ± 1°	后板	
Position tolerances (未注位置公差): ±0.05	Position tolerances (未注位置公差): ±0.05	Drawn by (绘图): 莫永康 Check by (校对): Signature by (批准):	Date (日期): 2020.05.28 Date (日期): Date (日期):
		Size (图幅): A2 Scale (比例): 1:1 Revision (版本): A1	Sheet (页数): 1 / 1

YONGU 永固

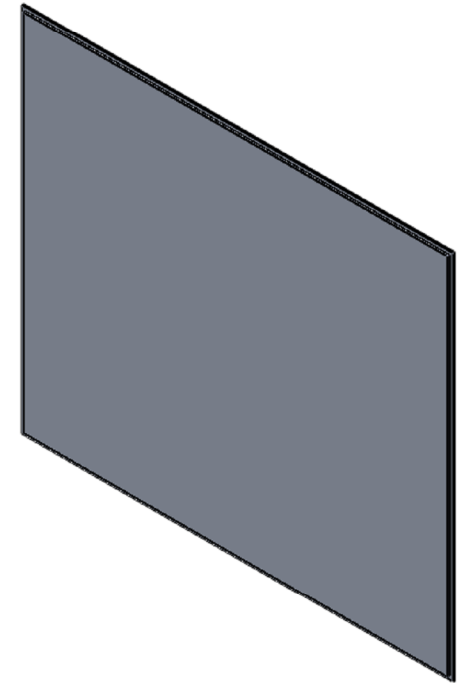
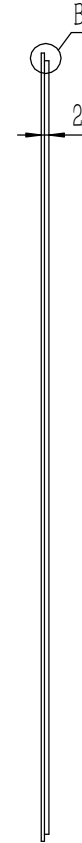
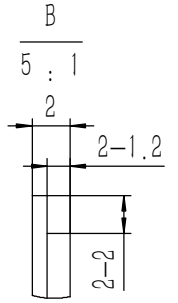
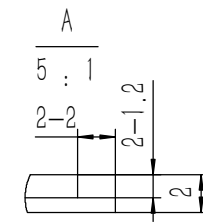
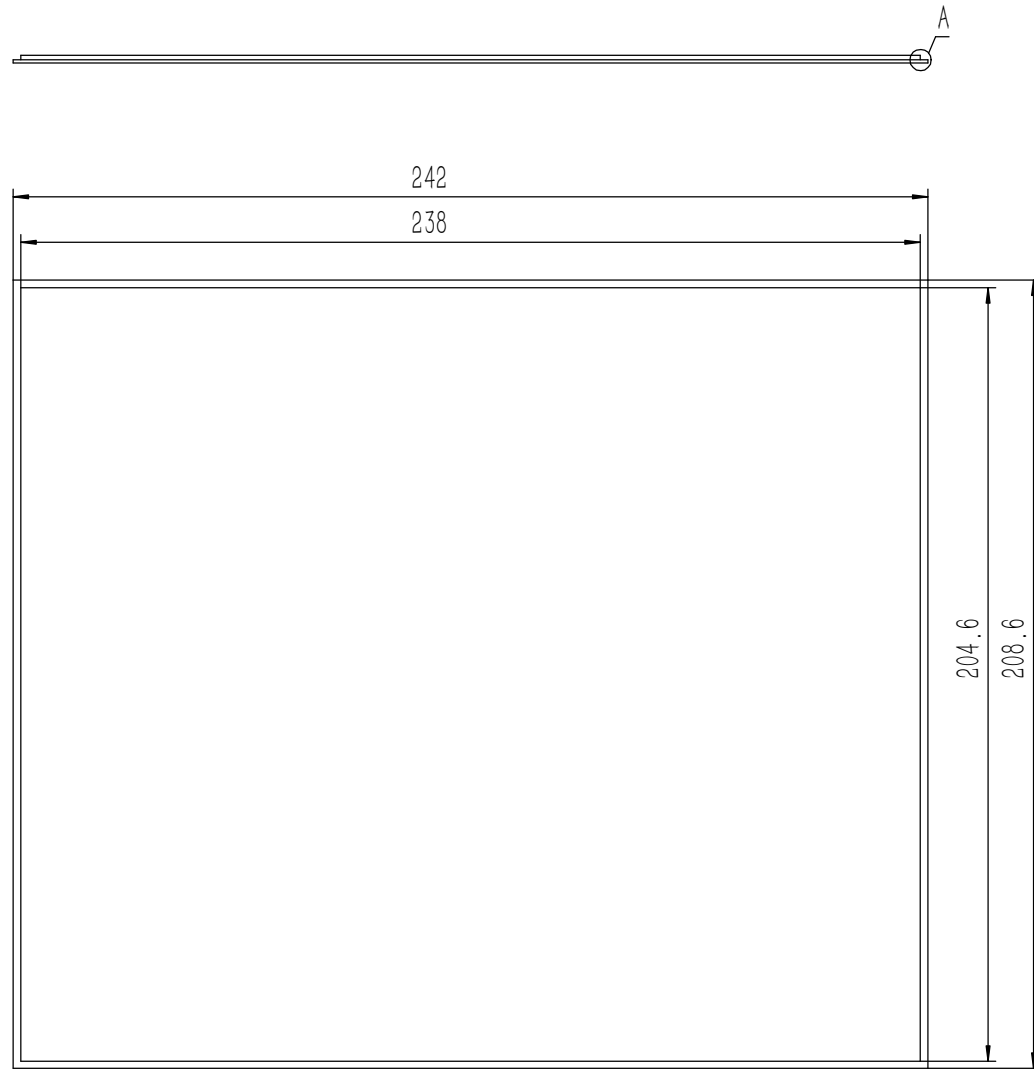


技术要求:

- 1、零件加工表面不应有划痕、擦伤等损伤零件表面的缺陷;
- 2、去除毛刺飞边, 锐角倒钝;
- 3、未标注尺寸见3D数模。

Tolerances (未注公差): 0.5 to 6 ± 0.1 6 to 30 ± 0.2 30 to 120 ± 0.3 120 to 400 ± 0.4	Material (材料):	6063-T5	
	Weight: (重量) (Kg):	0.283	
Break sharp edges (未注锐边倒角): Ch 0.05 to 0.25 x45°	Protection: (表面处理):		
	Position tolerances (未注位置公差): ±0.05	Part Name (零/部件名称):	侧板
Angular tolerances (未注角度公差): <6° ± 10' <30° ± 20' <120° ± 30' >120° ± 1°	Drawn by (绘图):	莫永康	Date (日期): 2020.05.28
	Check by (校对):		Date (日期):
	Signature by (批准):		Date (日期):
	Drawing Number (图号):		YG-G12B-0000-004
	Size: (图幅):	A2	Sheet (页数):
	Scale (比例):	1:1	1 / 1
	Revision (版本):	A1	

YONGU 永固



技术要求:

- 1、零件加工表面不应有划痕、擦伤等损伤零件表面的缺陷;
- 2、去除毛刺飞边, 锐角倒钝;
- 3、未标注尺寸见3D数模。

Tolerances (未注公差): 0.5 to 6 ± 0.1 6 to 30 ± 0.2 30 to 120 ± 0.3 120 to 400 ± 0.4	Material (材料):	5052-H32	
	Weight: (重量) (Kg):	0.265	
	Protection: (表面处理):		
	Part Name (零/部件名称):	盖板	
Break sharp edges (未注锐边倒角): Ch 0.05 to 0.25 x45° Position tolerances (未注位置公差): ±0.05	Angular tolerances (未注角度公差): <6° ± 10' <30° ± 20' <120° ± 30' >120° ± 1°	Material (材料):	5052-H32
		Weight: (重量) (Kg):	0.265
		Protection: (表面处理):	
		Part Name (零/部件名称):	盖板
Drawing Number (图号):		YG-G12B-0000-003	
Drawn by (绘图): 莫永康		Date (日期): 2020.05.28	Size: (图幅): A2
Check by (校对):		Date (日期):	Scale (比例): 1:1
Signature by (批准):		Date (日期):	Revision (版本): A1
			Sheet (页数): 1 / 1

YONGU 永固