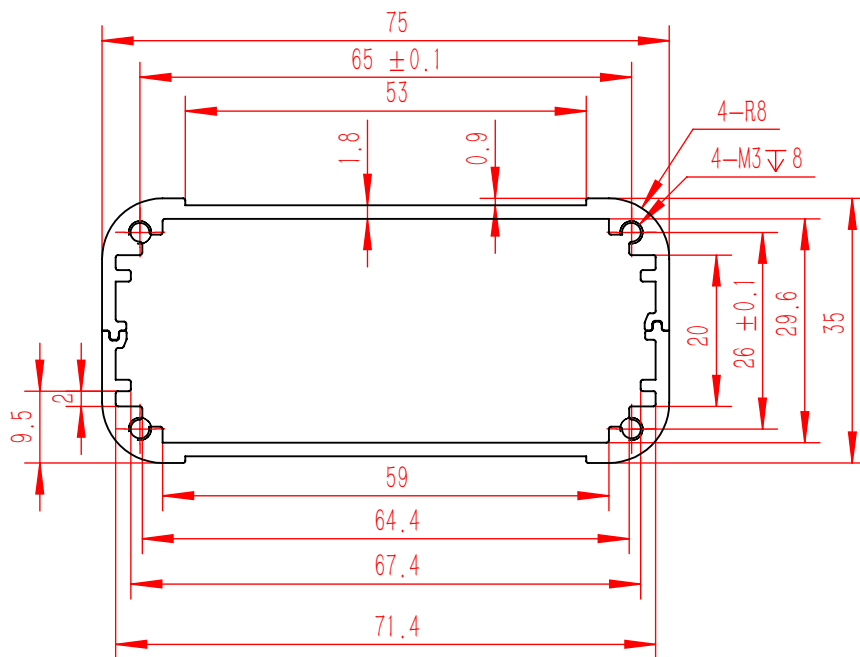


- 技术要求:
- 1、必须按照设计、工艺要求及本规定和有关标准进行装配;
 - 2、所有零部件(包括外购、外协件)必须具有检验合格证方能进行装配;
 - 3、零件在装配前必须清理和清洗干净,不得有毛刺、飞边、氧化皮、锈蚀、切屑、砂粒、灰尘和油污等,并应符合相应清洁度要求;
 - 4、装配过程中零件不得磕碰、划伤和锈蚀;
 - 5、油漆未干的零件不得进行装配;
 - 6、相对运动的零件,装配时接触面间应加润滑油脂;
 - 7、各零、部件装配后相对位置应准确。

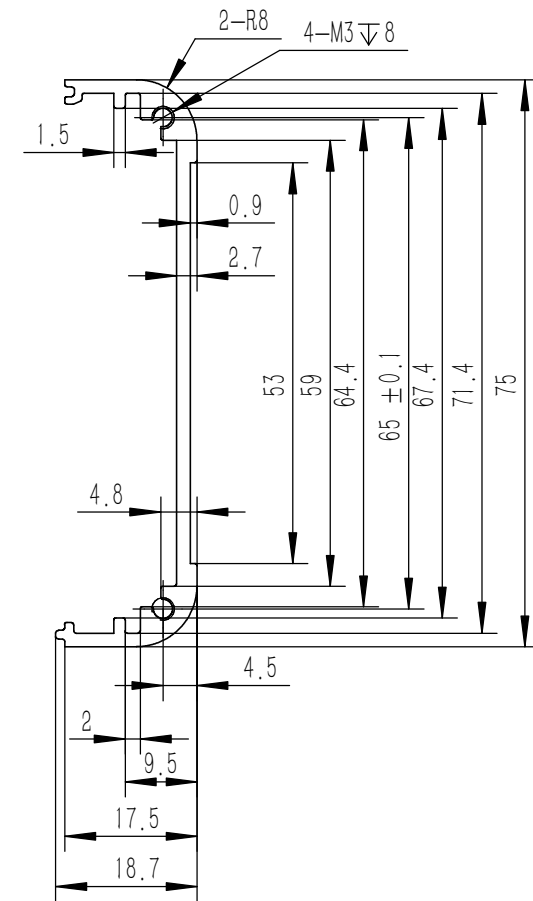
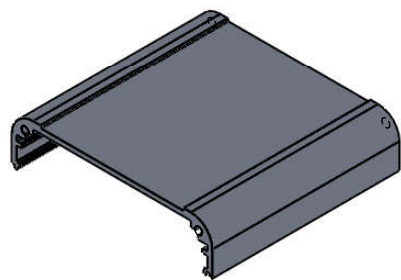
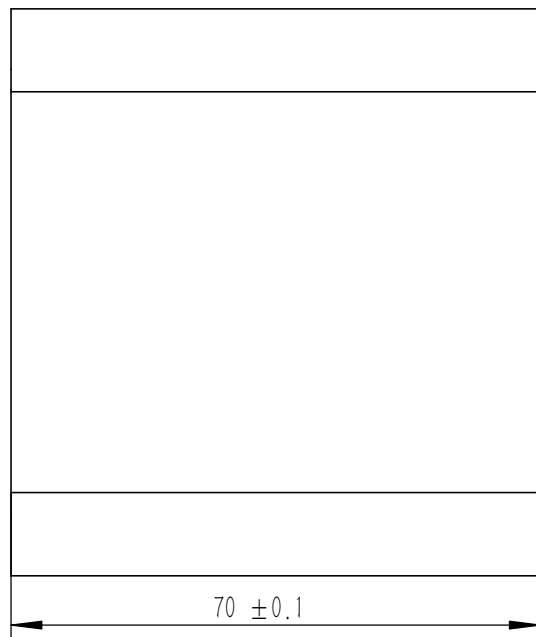
业务代码:

4	GB-T-70.1-2000-S-NL-M3X8	不锈钢内六角杯头螺丝M3X8	SUS 304	8	0.001	
3	YG-K12C01-0000-002	K12C红色塑料端盖	ABS	2	0.011	
2	YG-K12C-0000-003	挡板	5052-H32	2	0.010	
1	YG-K12C-0000-001	壳体	6063-T5	2	0.043	
序号 (Item)	图号 (Drawing Number)	名称 (Part Name)	材料 (Material)	数量 (QTY)	单重 (Weight)	备注 (Note)

Tolerances (未注公差): 0.5 to 6 ± 0.1 6 to 30 ± 0.2 30 to 120 ± 0.3 120 to 400 ± 0.4		Material (材料): (装配图) Weight: (重量) (Kg) 0.135		YONGU 永固	
Break sharp edges (未注锐边倒角): Ch 0.05 to 0.25 x45°		Protection: (表面处理):			
Angular tolerances (未注角度公差): <6° ± 10' <30° ± 20' <120° ± 30' >120° ± 1°		Part Name (零/部件名称): K12C壳体		Drawing Number (图号): YG-K12C-0000-000	
Position tolerances (未注位置公差): ±0.05		Drawn by (绘图): 江瑞章	Date (日期): 2020.12.14	Size (图幅): A3	Sheet (页数): 1 / 1
		Check by (校对):	Date (日期):	Scale (比例): 1:1	
		Signature by (批准):	Date (日期):	Revision (版本): A1	



Tolerances (未注公差): 0.5 to 6 ± 0.1 6 to 30 ± 0.2 30 to 120 ± 0.3 120 to 400 ± 0.4	Material (材料): (装配图)	YONGU 		
	Weight: (重量) (Kg) 0.110			
Break sharp edges (未注锐边倒角): Ch 0.05 to 0.25 x45°	Protection: (表面处理):	Part Name (零/部件名称): YG-K12截面图		
	Angular tolerances (未注角度公差): <6° ± 10' <30° ± 20' <120° ± 30' >120° ± 1°	Part Name (零/部件名称): YG-K12截面图	Drawing Number (图号): YG-K12-JMT	
Position tolerances (未注位置公差): ±0.05	Drawn by (绘图): 江瑞章	Date (日期): 2020.12.14	Size: (图幅): A4	 Sheet (页数): 1 / 1
	Check by (校对):	Date (日期):	Scale (比例): 1:1	
	Signature by (批准):	Date (日期):	Revision (版本): A1	



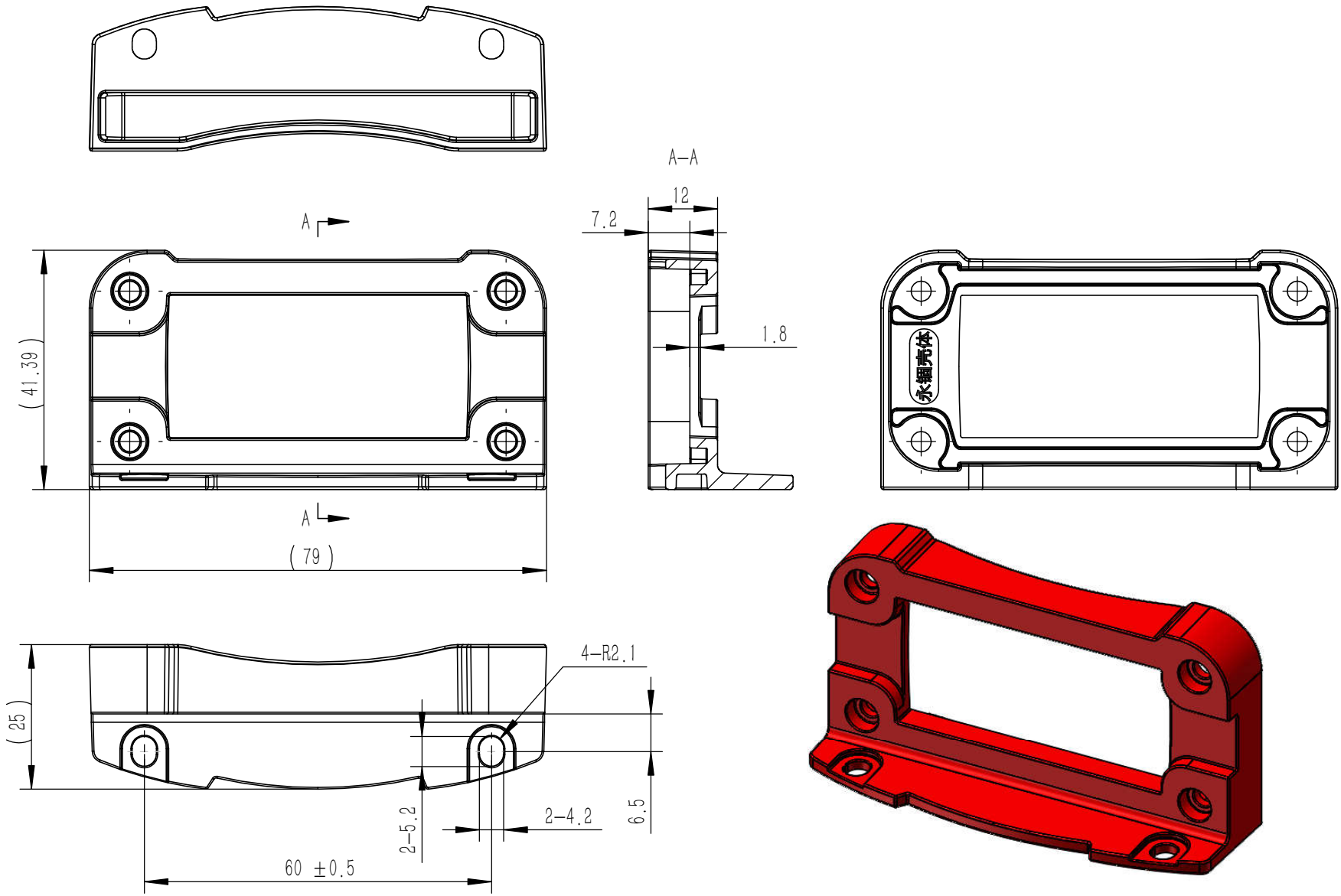
技术要求:

- 1、零件加工表面不应有划痕、擦伤等损伤零件表面的缺陷;
- 2、去除毛刺飞边, 锐角倒钝;
- 3、未标注尺寸见3D数模。

业务代码:

Break sharp edges (未注锐边倒角): Ch 0.05 to 0.25 x45°	Angular tolerances (未注角度公差): <6° ± 10' <30° ± 20' <120° ± 30' >120° ± 1°
Position tolerances (未注位置公差): ± 0.05	

Tolerances (未注公差): 0.5 to 6 ± 0.1 6 to 30 ± 0.2 30 to 120 ± 0.3 120 to 400 ± 0.4		Material (材料): 6063-T5	YONGU 永固	
		Weight: (重量) (Kg) 0.043		
		Protection: (表面处理):	Drawing Number (图号): YG-K12C-0000-001	
		Part Name (零/部件名称): 壳体	Date (日期): 2020.12.14	
		Drawn by (绘图): 江瑞章	Scale (比例): 1:1	Sheet (页数): 1 / 1
		Check by (校对):	Revision (版本): A1	
		Signature by (批准):	Date (日期):	



技术要求:

- 1、零件表面不允许有收缩、凹陷、熔接痕、水纹、顶白及飞边等缺陷
- 2、未标注尺寸见3D数模。

业务代码:

Tolerances (未注公差): 0.5 to 6 ± 0.1 6 to 30 ± 0.2 30 to 120 ± 0.3 120 to 400 ± 0.4	Material (材料):	ABS	YONGU 永固	
	Weight: (重量) (Kg)	0.011		
Break sharp edges (未注锐边倒角): Ch 0.05 to 0.25 x45° Position tolerances (未注位置公差): ±0.05	Protection: (表面处理):	喷橡胶漆	Part Name (零/部件名称): K12C红色塑料端盖	
	Angular tolerances (未注角度公差): <6° ± 10' <30° ± 20' <120° ± 30' >120° ± 1°	Drawing Number (图号): YG-K12C01-0000-002	Drawn by (绘图): 江瑞章	Date (日期): 2020.12.14
	Check by (校对):	Date (日期):	Scale (比例): 1:1	Sheet (页数):
	Signature by (批准):	Date (日期):	Revision (版本): A1	1 / 1