

Optional basket  
可选篮体



BPTJ012



M1PTJ012



B1PTJ012

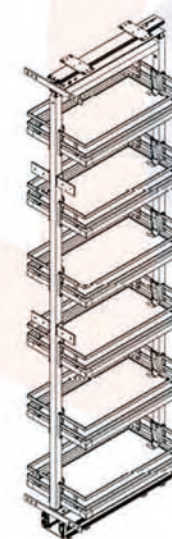


LPTJ012



Size parameters  
尺寸参数

## Tall Unit Basket 高深拉篮



型号 ITEM	柜体 CABINET	深度 x 宽度 x 高度 DEPTH x WIDTH x HEIGHT	柜内宽度 INSIDE WIDTH OF CABINET	描述 DESCRIPTION
M/M1/B/B1/LPTJ012D-300	300mm	463x250x(1700-2000)mm	264mm	六层 6Layers
M/M1/B/B1/LPTJ012D-400	400mm	463x350x(1700-2000)mm	364mm	六层 6Layers
M/M1/B/B1/LKPTJ012D-300	300mm	463x250x(1850-2200)mm	264mm	六层 6Layers
M/M1/B/B1/LKPTJ012D-400	400mm	463x350x(1850-2200)mm	364mm	六层 6Layers
M/M1/B/B1/LPTJ012F-300	300mm	463x250x(1400-1700)mm	264mm	五层 5Layers
M/M1/B/B1/LPTJ012F-400	400mm	463x350x(1400-1700)mm	364mm	五层 5Layers
M/M1/B/B1/LPTJ012H-300	300mm	463x250x(1150-1350)mm	264mm	四层 4Layers
M/M1/B/B1/LPTJ012H-400	400mm	463x350x(1150-1350)mm	364mm	四层 4Layers

"M" = Flat iron

"M1" = Wire

"B" = Flat iron + glass

"B1" = Wire + glass

"L" = Iron plate

M= 扁铁

M1= 铁线

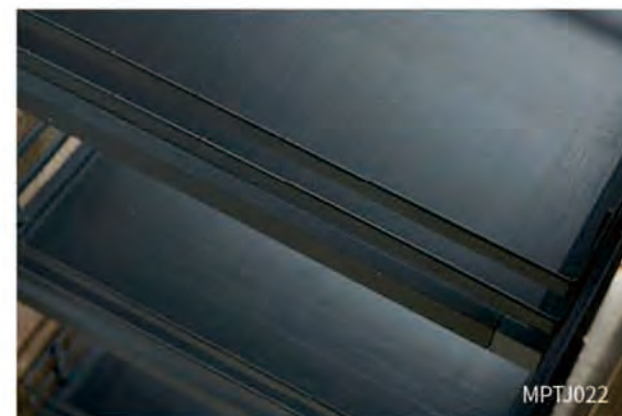
B= 扁铁 + 玻璃

B1= 铁线 + 玻璃

L= 铁板

Material: iron (glass)+wooden  
Color: iron powder coated  
Bottom: Wooden

材质: 铁 (玻璃)+木板  
颜色: 铁喷粉  
底板: 木板



Optional basket  
可选篮体



BPTJ022



M1PTJ022



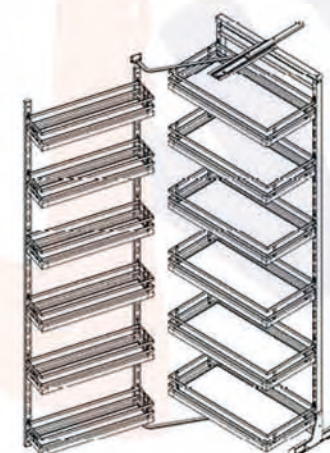
B1PTJ022



LPTJ022

Size parameters  
尺寸参数

### Larder Unit series 大怪物



型号 ITEM	柜体 CABINET	深度 x 宽度 x 高度 DEPTH x WIDTH x HEIGHT	描述 DESCRIPTION
M/M1/B/B1/LPTJ022A	450mm	500x385x(1250-1500)mm	5层 5Layers
M/M1/B/B1/LPTJ022A-600	600mm	500x535x(1250-1500)mm	5层 5Layers
M/M1/B/B1/LPTJ022B	450mm	500x385x(1650-1950)mm	6层 6Layers
M/M1/B/B1/LPTJ022B-600	600mm	500x535x(1650-1950)mm	6层 6Layers
M/M1/B/B1/LPTJ022C	450mm	500x385x(1850-2150)mm	6层 6Layers
M/M1/B/B1/LPTJ022C-600	600mm	500x535x(1850-2150)mm	6层 6Layers
M/M1/B/B1/LPTJ022D	450mm	500x385x(1150-1450)mm	4层 4Layers
M/M1/B/B1/LPTJ022D-600	600mm	500x535x(1150-1450)mm	4层 4Layers

"M" = Flat iron  
"M1" = Wire  
"B" = Flat iron + glass  
"B1" = Wire + glass  
"L" = Iron plate

M= 扁铁  
M1= 铁线  
B= 扁铁 + 玻璃  
B1= 铁线 + 玻璃  
L= 铁板

Material: iron (glass)+wooden  
Color: iron powder coated  
Bottom: Wooden  
材质: 铁 (玻璃)+木板  
颜色: 铁喷粉  
底板: 木板



Optional basket  
可选篮体



B1PTJ018G1



BPTJ018G1

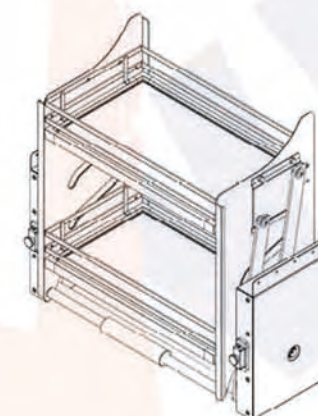


LPTJ018G1



M1PTJ018G1

Size parameters  
尺寸参数



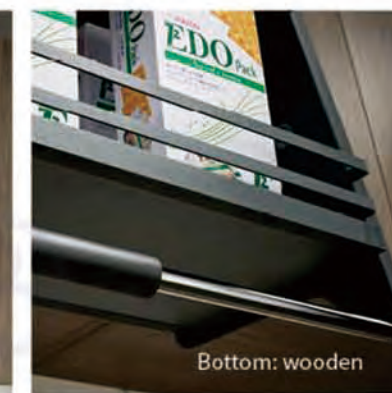
### Afterburner Elevator 加力型升降机系列

型号 ITEM	柜体 CABINET	深度 x 宽度 x 高度 DEPTH x WIDTH x HEIGHT	柜内宽度 INSIDE WIDTH OF CABINET
<b>MPTJ018G1-600</b>	600mm	295 × (564-568) × 560mm	564mm
<b>BPTJ018G1-600</b>	600mm	295 × (564-568) × 560mm	564mm
<b>M1PTJ018G1-600</b>	600mm	295 × (564-568) × 560mm	564mm
<b>B1PTJ018G1-600</b>	600mm	295 × (564-568) × 560mm	564mm
<b>LPTJ018G1-600</b>	600mm	295 × (564-568) × 560mm	564mm
<b>MPTJ018G1-800</b>	800mm	295 × (764-768) × 560mm	764mm
<b>BPTJ018G1-800</b>	800mm	295 × (764-768) × 560mm	764mm
<b>M1PTJ018G1-800</b>	800mm	295 × (764-768) × 560mm	764mm
<b>B1PTJ018G1-800</b>	800mm	295 × (764-768) × 560mm	764mm
<b>LPTJ018G1-800</b>	800mm	295 × (764-768) × 560mm	764mm
<b>MPTJ018G1-900</b>	900mm	295 × (864-868) × 560mm	864mm
<b>BPTJ018G1-900</b>	900mm	295 × (864-868) × 560mm	864mm
<b>M1PTJ018G1-900</b>	900mm	295 × (864-868) × 560mm	864mm
<b>B1PTJ018G1-900</b>	900mm	295 × (864-868) × 560mm	864mm
<b>LPTJ018G1-900</b>	900mm	295 × (864-868) × 560mm	864mm

"M" = Flat iron  
"M1" = Wire  
"B" = Flat iron + glass  
"B1" = Wire + glass  
"L" = Iron plate

M= 扁铁  
M1= 铁线  
B= 扁铁 + 玻璃  
B1= 铁线 + 玻璃  
L= 铁板

Material: iron (glass)+wooden  
Color: iron powder coated  
Bottom: Wooden  
材质: 铁(玻璃)+木板  
颜色: 铁喷粉  
底板: 木板



Optional basket  
可选篮体



B1PTJ018B



BPTJ018B

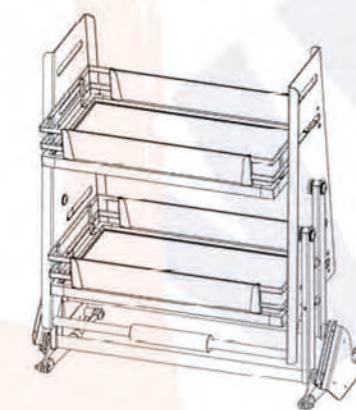


LPTJ018B



M1PTJ018B

Size parameters  
尺寸参数



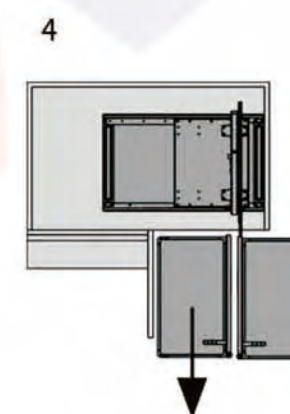
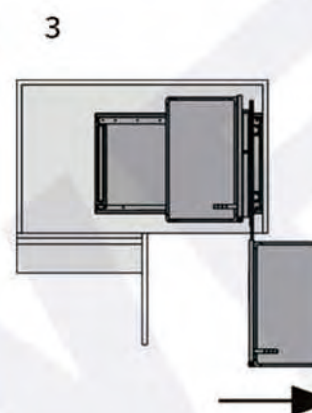
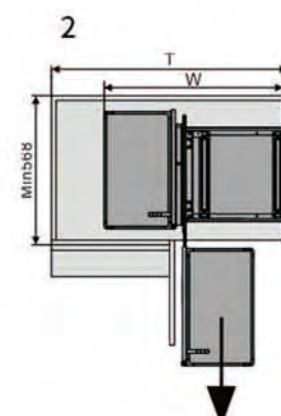
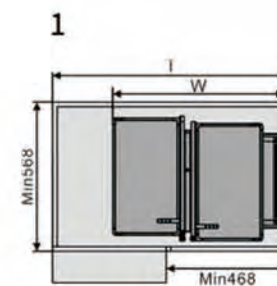
### Ordinary Elevator 普通升降机系列

型号 ITEM	柜体 CABINET	深度 x 宽度 x 高度 DEPTH x WIDTH x HEIGHT	柜内宽度 INSIDE WIDTH OF CABINET
<b>MPTJ018B-600</b>	600mm	280×560×650mm	564mm
<b>BPTJ018B-600</b>	600mm	280×560×650mm	564mm
<b>M1PTJ018B-600</b>	600mm	280×560×650mm	564mm
<b>B1PTJ018B-600</b>	600mm	280×560×650mm	564mm
<b>LPTJ018B-600</b>	600mm	280×560×650mm	564mm
<b>MPTJ018B-800</b>	800mm	280×760×650mm	764mm
<b>BPTJ018B-800</b>	800mm	280×760×650mm	764mm
<b>M1PTJ018B-800</b>	800mm	280×760×650mm	764mm
<b>B1PTJ018B-800</b>	800mm	280×760×650mm	764mm
<b>LPTJ018B-800</b>	800mm	280×760×650mm	764mm
<b>MPTJ018B-900</b>	900mm	280×860×650mm	864mm
<b>BPTJ018B-900</b>	900mm	280×860×650mm	864mm
<b>M1PTJ018B-900</b>	900mm	280×860×650mm	864mm
<b>B1PTJ018B-900</b>	900mm	280×860×650mm	864mm
<b>LPTJ018B-900</b>	900mm	280×860×650mm	864mm

"M" = Flat iron  
"M1" = Wire  
"B" = Flat iron + glass  
"B1" = Wire + glass  
"L" = Iron plate

M= 扁铁  
M1= 铁线  
B= 扁铁+玻璃  
B1= 铁线+玻璃  
L= 铁板

Material: iron (glass)+wooden  
Color: iron powder coated  
Bottom: Wooden  
材质: 铁(玻璃)+木板  
颜色: 铁喷粉  
底板: 木板





Optional basket  
可选篮体



BPTJ017EL/ER



M1PTJ017EL/ER

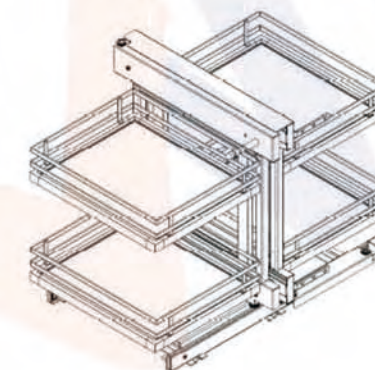


B1PTJ017EL/ER



LPTJ017EL/ER

Size parameters  
尺寸参数



## Corner Basket 小怪物

型号 ITEM	柜体 CABINET	深度 x 宽度 x 高度 DEPTH x WIDTH x HEIGHT	柜内宽度 INSIDE WIDTH OF CABINET
MPTJ017ER/EL	900mm	470×675×515mm	764-864mm
BPTJ017ER/EL	900mm	470×675×515mm	764-864mm
M1PTJ017ER/EL	900mm	470×675×515mm	764-864mm
B1PTJ017ER/EL	900mm	470×675×515mm	764-864mm
LPTJ017ER/EL	900mm	470×675×515mm	764-864mm

"M" = Flat iron  
"M1" = Wire  
"B" = Flat iron + glass  
"B1" = Wire + glass  
"L" = Iron plate  
"L" for left, "R" for right

M= 扁铁  
M1= 铁线  
B= 扁铁 + 玻璃  
B1= 铁线 + 玻璃  
L= 铁板  
"L" 为左开, "R" 为右开

Material: iron (glass)+wooden  
Color: Powder coated  
Bottom: Wooden  
材质: 铁 (玻璃)+木板  
颜色: 喷粉  
底板: 木板



Optional basket  
可选篮体



BPTJ017GA5/GB5



M1PTJ017GA5/GB5

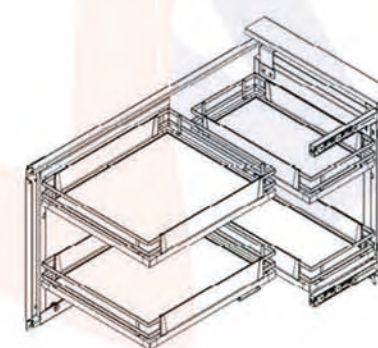


B1PTJ017GA5/GB5



LPTJ017GA5/GB5

Size parameters  
尺寸参数



### Corner Basket 小怪物

型号 ITEM	柜体 CABINET	深度 x 宽度 x 高度 DEPTH x WIDTH x HEIGHT	柜内宽度 INSIDE WIDTH OF CABINET
MPTJ017GA5/GB5	900mm	480 × (860-960) × 560 mm	864-964mm
BPTJ017GA5/GB5	900mm	480 × (860-960) × 560 mm	864-964mm
M1PTJ017GA5/GB5	900mm	480 × (860-960) × 560 mm	864-964mm
B1PTJ017GA5/GB5	900mm	480 × (860-960) × 560 mm	864-964mm
LPTJ017GA5/GB5	900mm	480 × (860-960) × 560 mm	864-964mm

"M" = Flat iron  
"M1" = Wire  
"B" = Flat iron + glass  
"B1" = Wire + glass  
"L" = Iron plate  
"A" for left, "B" for right

M= 扁铁  
M1= 铁线  
B= 扁铁 + 玻璃  
B1= 铁线 + 玻璃  
L= 铁板  
A 表示左, B 表示右

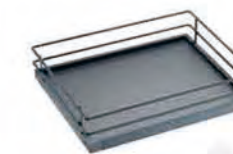
Material: iron (glass)+wooden  
Color: Powder coated  
Bottom: Wooden  
材质: 铁 (玻璃)+ 木板  
颜色: 喷粉  
底板: 木板



Optional basket  
可选篮体



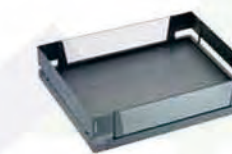
BPTJ017J



M1PTJ017J

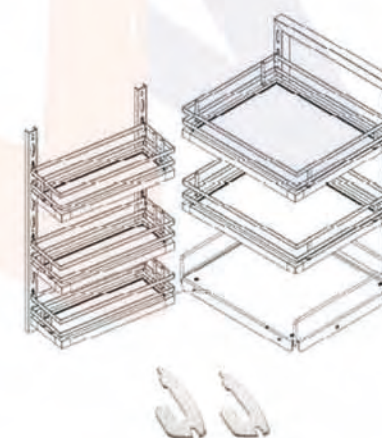


B1PTJ017J



LPTJ017J

Size parameters  
尺寸参数



### Corner Basket 小怪物

型号 ITEM	柜体 CABINET	深度 x 宽度 x 高度 DEPTH x WIDTH x HEIGHT	柜内宽度 INSIDE WIDTH OF CABINET
MPTJ017J-600 (450)	600/450mm	500 × 525 (375) × 620 mm	564/414mm
BPTJ017J-600 (450)	600/450mm	500 × 525 (375) × 620 mm	564/414mm
M1PTJ017J-600 (450)	600/450mm	500 × 525 (375) × 620 mm	564/414mm
B1PTJ017J-600 (450)	600/450mm	500 × 525 (375) × 620 mm	564/414mm
LPTJ017J-600 (450)	600/450mm	500 × 525 (375) × 620 mm	564/414mm

"M" = Flat iron  
"M1" = Wire  
"B" = Flat iron + glass  
"B1" = Wire + glass  
"L" = Iron plate

M= 扁铁  
M1= 铁线  
B= 扁铁+玻璃  
B1= 铁线+玻璃  
L= 铁板

Material: iron (glass)+wooden  
Color: Powder coated  
Bottom: Wooden  
材质: 铁(玻璃)+木板  
颜色: 喷粉  
底板: 木板





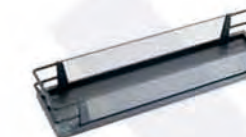
Optional basket  
可选篮体



BPTJ009F



MIPTJ009F

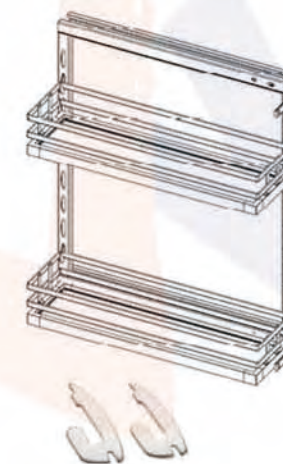


B1PTJ009F



LPTJ009F

Size parameters  
尺寸参数



带缓冲  
With soft-closing

## Side Basket 侧式拉篮

型号 ITEM	柜体 CABINET	深度 x 宽度 x 高度 DEPTH x WIDTH x HEIGHT	柜内宽度 INSIDE WIDTH OF CABINET
MPTJ009F-200	200mm	D482 x W156 x H568 mm	164 mm
BPTJ009F-200	200mm	D482 x W156 x H568 mm	164 mm
M1PTJ009F-200	200mm	D482 x W156 x H568 mm	164 mm
B1PTJ009F-200	200mm	D482 x W156 x H568 mm	164 mm
LPTJ009F-200	200mm	D482 x W156 x H568 mm	164 mm
MPTJ009F-300	300mm	D482 x W256 x H568 mm	264 mm
BPTJ009F-300	300mm	D482 x W256 x H568 mm	264 mm
M1PTJ009F-300	300mm	D482 x W256 x H568 mm	264 mm
B1PTJ009F-300	300mm	D482 x W256 x H568 mm	264 mm
LPTJ009F-300	300mm	D482 x W256 x H568 mm	264 mm

"M" = Flat iron  
"M1" = Wire  
"B" = Flat iron + glass  
"B1" = Wire + glass  
"L" = Iron plate

M= 扁铁  
M1= 铁线  
B= 扁铁+玻璃  
B1= 铁线+玻璃  
L= 铁板

Material: iron (glass)+wooden  
Color: Powder coated  
Bottom: Wooden  
材质: 铁(玻璃)+木板  
颜色: 铁喷粉  
底板: 木板



Optional basket  
可选篮体



BPTJ004F5



M1PTJ004F5



B1PTJ004F5

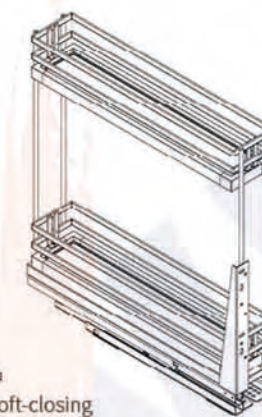


MPTJ004F5-150- 共用底座



MPTJ004F5-200/300- 共用底座  
Common-Base

Size parameters  
尺寸参数



带缓冲  
With soft-closing

## Pull-out Drawer Basket 普通立体篮

型号 ITEM	柜体 CABINET	深度 x 宽度 x 高度 DEPTH x WIDTH x HEIGHT
MPTJ004F5-150	150mm	475×100×510 mm
BPTJ004F5-150	150mm	475× 100×510 mm
M1PTJ004F5-150	150mm	475× 100×510 mm
B1PTJ004F5-150	150mm	475× 100×510 mm
MPTJ004F5-200	200mm	475× 150×510 mm
BPTJ004F5-200	200mm	475× 150×510 mm
M1PTJ004F5-200	200mm	475× 150×510 mm
B1PTJ004F5-200	200mm	475× 150×510 mm
MPTJ004F5-300	300mm	475× 250×510 mm
BPTJ007F5-300	300mm	475× 250×510 mm
M1PTJ004F5-300	300mm	475× 250×510 mm
B1PTJ004F5-300	300mm	475× 250×510 mm

"M" = Flat iron

"M1" = Wire

"B" = Flat iron + glass

"B1" = Wire + glass

"L" = Iron plate

M= 扁铁

M1= 铁线

B= 扁铁 + 玻璃

B1= 铁线 + 玻璃

L= 铁板

Material: iron (glass)+wooden  
Color: Powder coated  
Bottom: Wooden

材质: 铁 (玻璃)+ 木板  
颜色: 铁喷粉  
底板: 木板





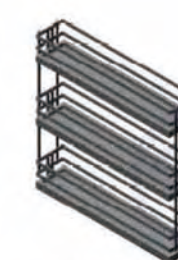
Optional basket  
可选篮体



B1PTJ004E5



M1PTJ004E5



MPTJ004E5

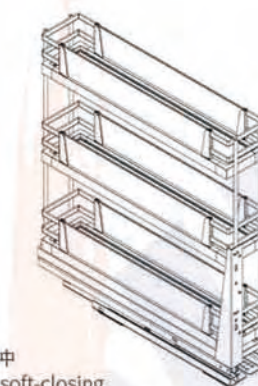


MPTJ004E5-150- 共用底座



MPTJ004E5-200/300- 共用底座  
Common-Base

Size parameters  
尺寸参数



带缓冲  
With soft-closing



## Pull-out Drawer Basket 普通立体篮

型号 ITEM	柜体 CABINET	深度 x 宽度 x 高度 DEPTH x WIDTH x HEIGHT
MPTJ004E5-150	150mm	475×100×510 mm
BPTJ004E5-150	150mm	475×100×510 mm
M1PTJ004E5-150	150mm	475×100×510 mm
B1PTJ004E5-150	150mm	475×100×510 mm
MPTJ004E5-200	200mm	475×150×510 mm
BPTJ004E5-200	200mm	475×150×510 mm
M1PTJ004E5-200	200mm	475×150×510 mm
B1PTJ004E5-200	200mm	475×150×510 mm
MPTJ004E5-300	300mm	475×250×510 mm
BPTJ004E5-300	300mm	475×250×510 mm
M1PTJ004E5-300	300mm	475×250×510 mm
B1PTJ004E5-300	300mm	475×250×510 mm

"M" = Flat iron

"M1" = Wire

"B" = Flat iron + glass

"B1" = Wire + glass

"L" = Iron plate

M= 扁铁

M1= 铁线

B= 扁铁 + 玻璃

B1= 铁线 + 玻璃

L= 铁板

Material: iron (glass)+wooden  
Color: Powder coated  
Bottom: Wooden

材质: 铁 (玻璃)+ 木板  
颜色: 铁喷粉  
底板: 木板



Optional basket  
可选篮体



Size parameters  
尺寸参数

### 4-sided Basket 四边篮

型号 ITEM	柜体 CABINET	深度 x 宽度 x 高度 DEPTH x WIDTH x HEIGHT	柜内宽度 INSIDE WIDTH OF CABINET	材质 MATERIAL
<b>K/MPTJ007-600</b>	600mm	425x558x140mm	564mm	扁铁 Flat iron
<b>K/MPTJ007-800</b>	800mm	425x758x140mm	764mm	
<b>K/MPTJ007-900</b>	900mm	425x858x140mm	864mm	
<b>K/M1PTJ007-600</b>	600mm	425x558x140mm	564mm	铁线 Wire
<b>K/M1PTJ007-800</b>	800mm	425x758x140mm	764mm	
<b>K/M1PTJ007-900</b>	900mm	425x858x140mm	864mm	
<b>K/LPTJ007-600</b>	600mm	425x558x140mm	564mm	铁板 Iron plate
<b>K/LPTJ007-800</b>	800mm	425x758x140mm	764mm	
<b>K/LPTJ007-900</b>	900mm	425x858x140mm	864mm	
<b>K/BPTJ007-600</b>	600mm	425x558x140mm	564mm	扁铁 + 玻璃 Flat iron + glass
<b>K/BPTJ007-800</b>	800mm	425x758x140mm	764mm	
<b>K/BPTJ007-900</b>	900mm	425x858x140mm	864mm	
<b>K/B1PTJ007-600</b>	600mm	425x558x140mm	564mm	铁线 + 玻璃 Wire + glass
<b>K/B1PTJ007-800</b>	800mm	425x758x140mm	764mm	
<b>K/B1PTJ007-900</b>	900mm	425x858x140mm	864mm	

备注: 碗碟架可选配  
Notes: Dish rack optional

"K" for 15"-E3  
No "K" for Soft-closing  
Material: Iron plate + wooden  
Color: Powder coated  
Bottom: Wooden

带 K 的是 15"-E3 可调双孔导轨  
不带 K 的是 16" 缓冲导轨  
材质: 铁板 + 木板  
颜色: 喷粉  
底板: 木板

# HANGING SERIES

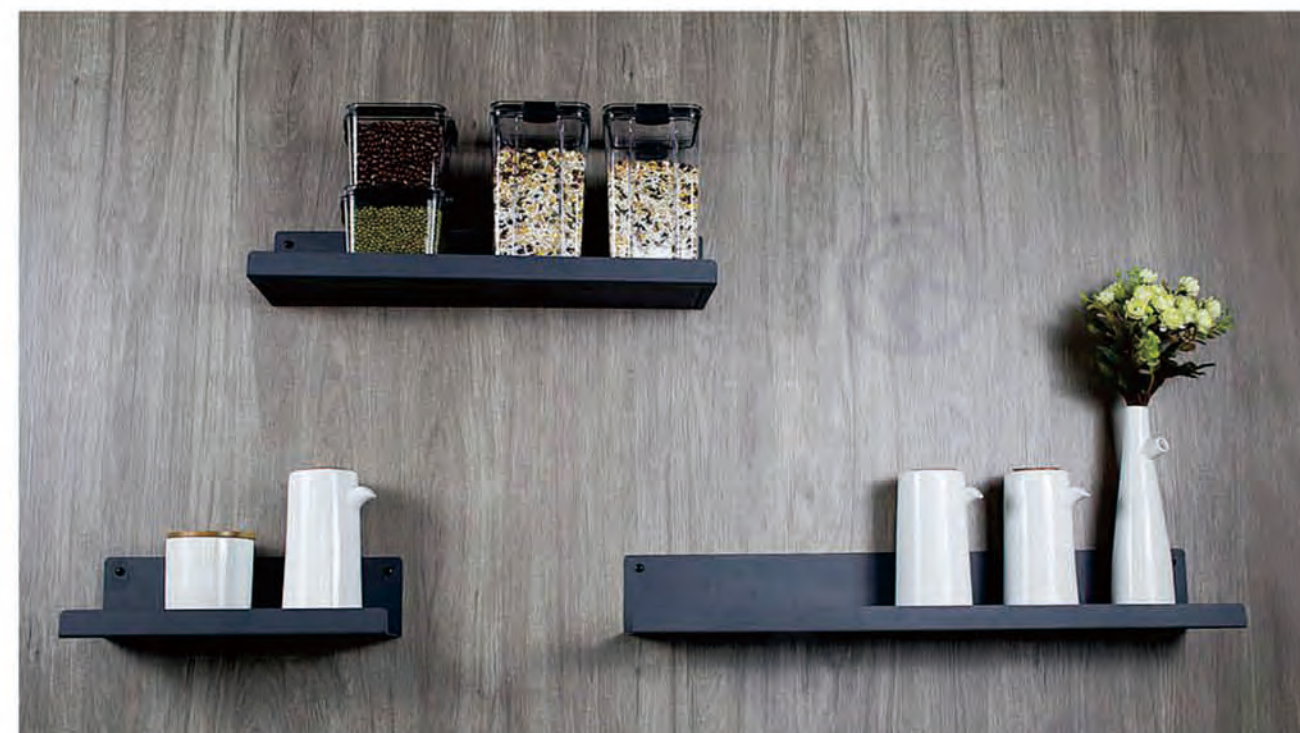
挂架系统

## CLEVER INTO A VARIETY OF HOME DECORATION STYLE

巧妙融入各种家装风格

Make full use of bathroom metope space, all sorts of commonly used goods letter hand stick, Beautiful design, easy to store Fashion easy to build, suitable for all kinds of home decoration style. The thickening material is durable.

充分利用墙面空间, 各种常用物品信手粘来, 美观设计, 置物方便 时尚易搭, 适合各种家装内风格。 加厚用料, 经久耐用。



### 300 - Storage shelf

300 层架

型号 ITEM	深度 x 宽度 x 高度 DEPTH x WIDTH x HEIGHT
GS902-001	120 x 300 x 80 mm

Material: Iron plate 材质: 铁板

Color: Powder coated 颜色: 喷粉



### 450 - Storage shelf

450 层架

型号 ITEM	深度 x 宽度 x 高度 DEPTH x WIDTH x HEIGHT
GS901-001	120 x 450 x 80 mm

Material: Iron plate 材质: 铁板

Color: Powder coated 颜色: 喷粉



### 600 - Storage shelf

600 层架

型号 ITEM	深度 x 宽度 x 高度 DEPTH x WIDTH x HEIGHT
GS900-001	120 x 600 x 80 mm

Material: Iron plate 材质: 铁板

Color: Powder coated 颜色: 喷粉