

Pallet Truck

BY-A型手动液压搬运车

Manual Pallet Truck

产品构造：

BY-A手动液压搬运车采用4mm优质钢板重型设计和坚固全焊结构，手柄使用A型泵体，可选用聚氨酯双轮或尼龙双轮。

使用原理：

在使用时，将货叉插入托盘孔内，由人力驱动液压系统来实现托盘(货物)的起升和下降，并由人力拉动完成搬运作业，是托盘运输工具中最简便、最有效、最常见的装卸搬运工具。

适用范围：

主要应用于需要水平搬运而地方拥挤的场所，如物流、仓库、工厂、医院、学校、商场、机场、体育场馆、车站机场等。

BY-A手动液压搬运车特点：

- 1、手柄包胶，手动操作，灵活自如。
- 2、免维护，易拆卸，使用寿命长。
- 3、配有安全阀，防止过载。
- 4、180°转角方向，转弯半径小。
- 5、带导向轮，出入托盘更加自如。
- 6、采用不同材料的脚轮，可以满足在不同区域的搬运要求。

The manual pallet truck is a lifting equipment, which is also called hand pallet truck, hand operated pallet truck or hydraulic hand pallet truck.

1.White nylon wheel: with rigid shell, light weight, resistant to the acid-base and corrosion, suitable for cement floor use, this type is special for the heavy cargo handling.

2.Comfortable handle: sloping type handle, conforms to the human body engineering principle, three functions: lifting, handling, unloading, flexible and easy operation and high safety.

3.High strength pallet fork: fork and set square, use the integral molding processing technology, fork plug with the tapered design, with strength, avoid deformation when use the pallet fork.

4.High quality steel plate: use with quality steel plate, resistant to wear and deformation.

5.Plastic spraying: electrostatic spraying surface, resistant to wear, fadeless.

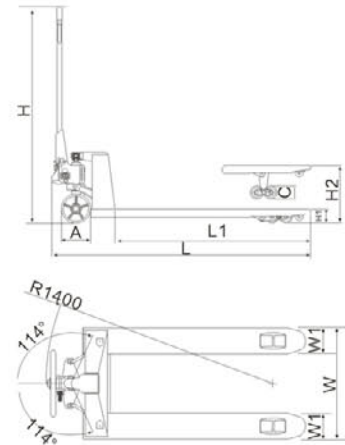
Features

- 1)Easy three position control handle: Raise, Lower, Neutral.
- 2)Ergonomic rubber wrapped handle, which is comfortable and convenient to operate.
- 3)Fork lowering speed is controllable, operated by hand control and foot pedal.
- 4)Integrated casting pump & welded pump, with safety overload & bypass system.
- 5)Extra reinforced on fork frame.
- 6)Solid steel lifting rods for extra strength.
- 7)Special requirements are available.

Attentions

- 1.Do routine checks everyday.
- 2.Eliminate abnormal phenomena in time.
3. If there is any fault, please ask the professional to troubleshoot.
- 4.Note that the wheels and shafts should not be entangled with anything else, and all wheels can be turn easily to meet safety requirements.
- 5.Don't use defective pallet truck to extend service life.

Model: BY-A



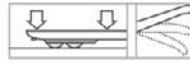
Overload protection

Excellent and compact pump design with high-pressure relief valve to prevent overload .

Options :

- Color available in red,yellow,bule and others.
- Different fork lengths and widths available .
- Obtainable with rubber, nylon or polyurethane steering wheels .
- Rollers available in nylon or polyurethane.
- Available with Handle A and Handle B.

Ergonomic large rubber handle ensures a comfortable hold and easy operation .



Lower Position

Pull up the fingertip for lowering .

Neutral Position

Keep in the position to push & pull the truck.

Lifting Position

Push down the fingertip for pump lifting .



One-piece cast pump with reliable oil-proof hydraulic systems .



Reinforced for added strength of load capacity .



Effortless pallet entry/exit rollers to make it easier to push and pull pallet truck .

Steering

Easy to maneuver with 210 degrees turning radius. All pivots points are greased ensures excellent maneuverability with effortless steering .

Spray finishing

Standard painting system ensures the best power coating and painting quality.

Controlled speed

Speed lowering valve can adjust the descent speed freely .

Reliable construction

Heavy gauge steel construction, drop forged lift link arms provide available strength and durability.

Easy lowering operation

Foot and hand control the lowering function to ensure easy operation .

BY-A型手动液压搬运车参数：

SPFCIFICATION

型号Product Code	BY-A2.0	BY-A2.5	BY-A3.0
额定载荷 Capacity(kg)	2000	2500	3000
低放高度 Min.fork height(mm)	65/75/85	65/75/85	65/75/85
起升高度 Max.fork height(mm)	175/185/195	175/185/195	175/185/195
起升行程 Lifting height(mm)	110	110	110
货叉长度 Fork length(mm)	1150/1220	1150/1220	1150/1220
单货叉长度 Single fork width(mm)	160	160	160
货叉外宽 Width overall forks(mm)	550/685	550/685	550/685
前轮[单] Fork wheel-single(mm)		64x93/74x93/84x93	
前轮[双] Fork wheel-tandem(mm)		64x70/74x93/80x70	
转向轮 Steering wheel(mm)		160x50/180x50/180x50	
自重 Self weight(kg)	73-92	73-92	73-92
20尺货柜可容量 Qty/20 feet container(pcs)	180/144	180/144	180/144