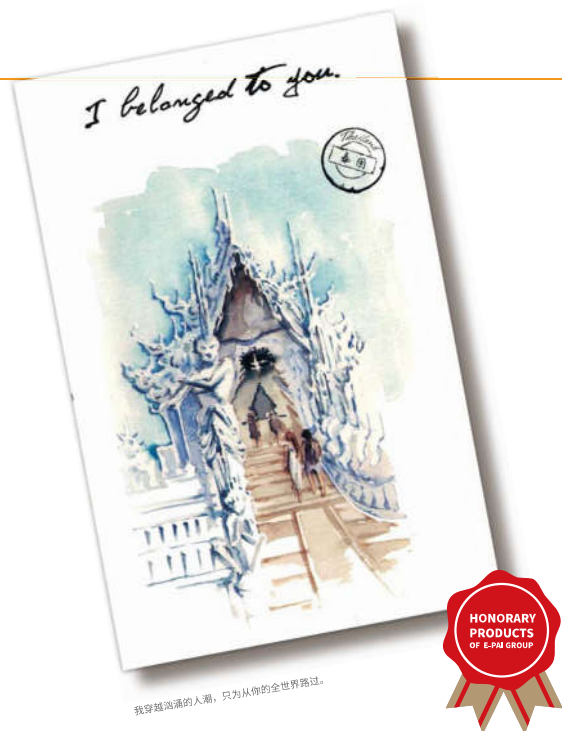

EP LEVER HANDLE

Door lever handle

Altruism pai

品派



Elegant style classic and simple life



**Product
caption**

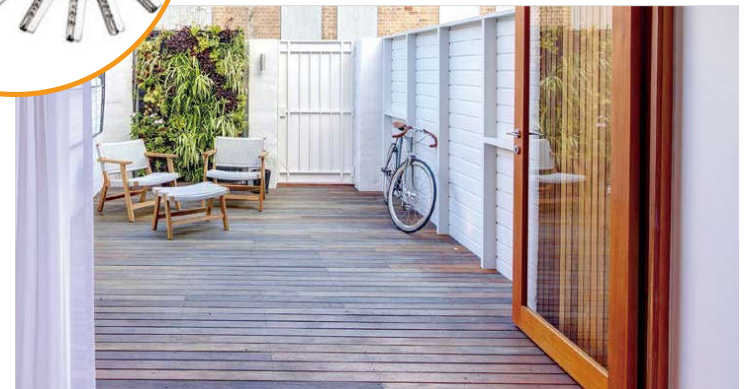
EPAI series door lock handle is one of the high-end architectural decoration hardware accessories produced by Newhuabao Hardware Decoration Products Factory. The product has beautiful appearance and is suitable for wooden doors and aluminum alloy doors of hotels, shopping malls, office buildings and homes.

**Function
and
advantage**

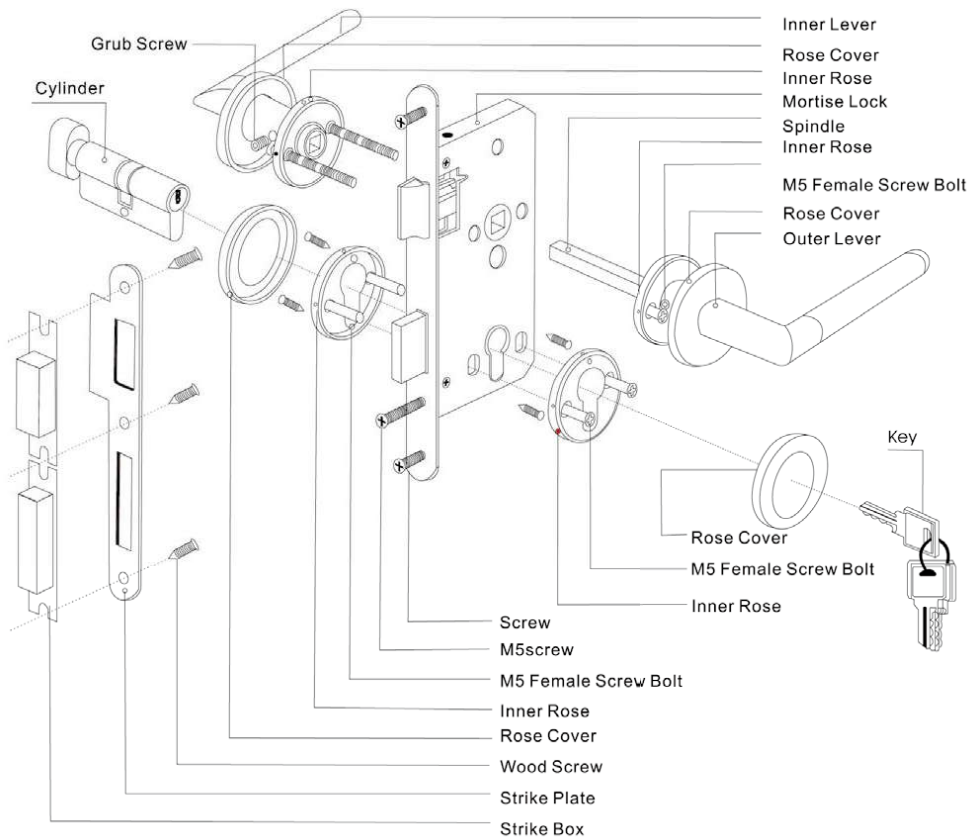
- According to ISO9001:2000 version of the international quality system for product quality process control, in line with the country The GB/9301-88 standard better guarantees the stability of product quality.
- The 304 stainless steel used in the products is produced using 1.2m thick-walled tubes, which meets national standards. Better guarantee the strength of the product.
- All door lock handles can be installed on wooden doors and framed doors to suit all aspects of application.
- The surface of all door lock handles can be treated with high quality for mirror, sand, semi-sand, and titanium.



FINE WORK
LOCK TO SAFETY



LEVER ON ROSE WITH ESCUTCHEON

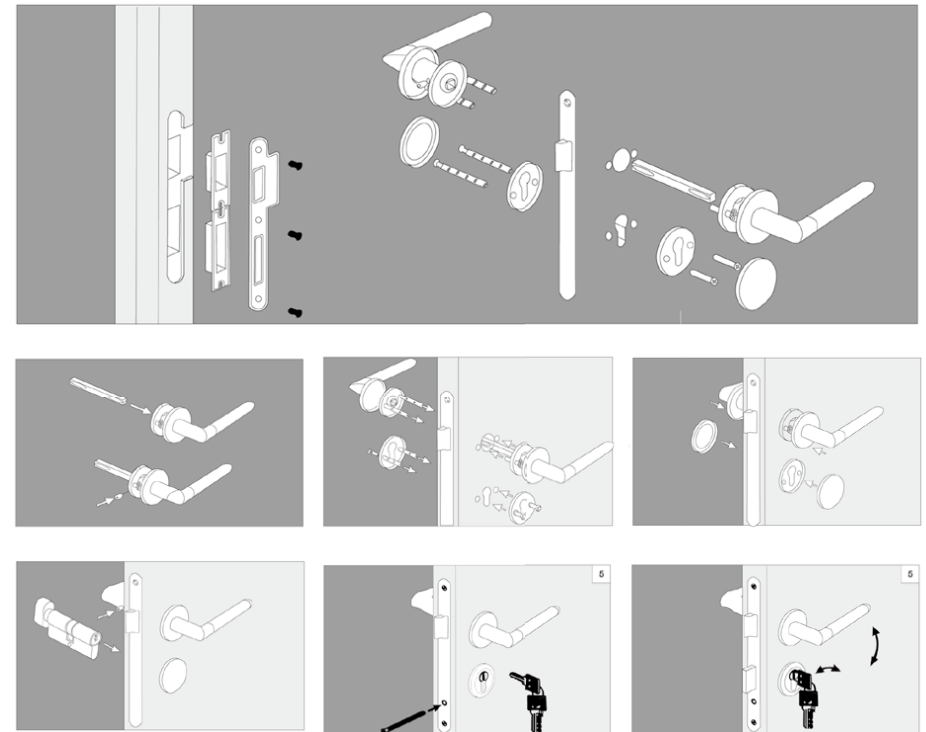


Features

Lever handle can fit with either rose system or backplate system. For the rosette, 1.2mm of zinc plated stainless steel material is used on the inner rose while 0.8mm thickness of outer rose is formed by stamping which is made of stain less steel.

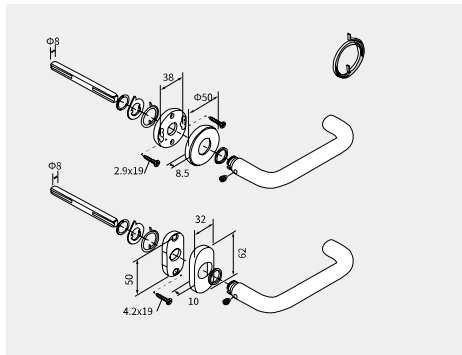
Variety styles and creative designs fulfilling different demand of customer such as public usage, commercial facilities, apartment and villas decoration, BESTKO chooses stainless steel to be material of doorfurniture as it is an excellent material for architectural hardware since its surface is extremely resistant to corrosion, knocks, scratches and abrasion, The durability of the material is such that under normal usage the appearance and function of stainless steel door furniture will remain like new, for life.

Installation Necessary fitting

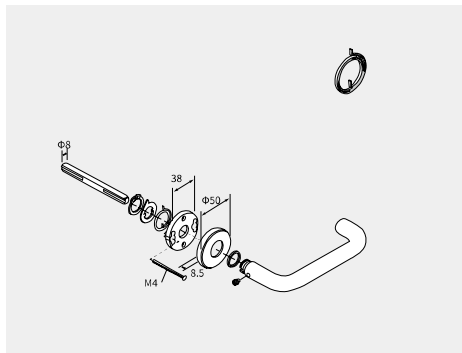




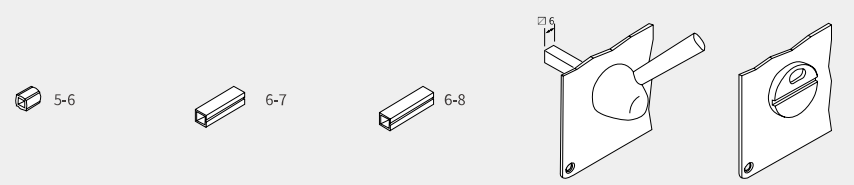
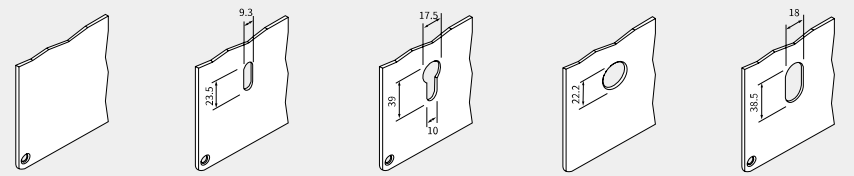
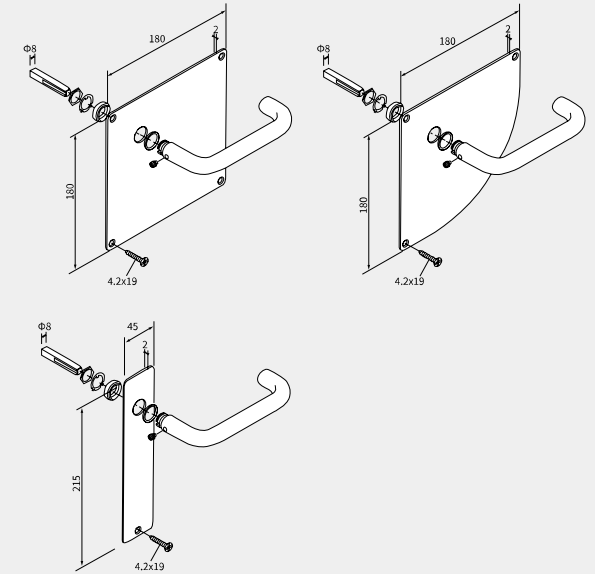
Rosette tonde ed ovali con molla di ritorno.
Sottorosetta in lega metallica e coprirosetta in acciaio inox AISI 316L.



Rosette tonde con molla di ritorno per fissaggio contrapposto. Utilizzano serrature con fori ad interasse 38mm. Sottorosetta in lega metallica e coprirosetta in acciaio inox AISI 316L.



Placche rettangolari-quadre-semicirculari in acciaio inox AISI 316L, spessore 2mm.





From the very beginning of the innovative design



EA-6601 Tube SSS

Material	SUS 304 Stainless Steel
Thickness	35mm to 45mm
Finishes available	Satin Stainless Steel-SSS Polished Stainless Steel-PSS Titanium Plated
304	



EA-6344 Tube SSS

Material	SUS 304 Stainless Steel
Thickness	35mm to 45mm
Finishes available	Satin Stainless Steel-SSS Polished Stainless Steel-PSS Titanium Plated
304	



EA-6330

Material	SUS 304 Stainless Steel
Thickness	35mm to 45mm
Finishes available	Satin Stainless Steel-SSS Polished Stainless Steel-PSS Titanium Plated
304	



EA-63111

Material	SUS 304 Stainless Steel
Thickness	35mm to 45mm
Finishes available	Satin Stainless Steel-SSS Polished Stainless Steel-PSS Titanium Plated
304	



EA-6382

Material	SUS 304 Stainless Steel
Thickness	35mm to 45mm
Finishes available	Satin Stainless Steel-SSS Polished Stainless Steel-PSS Titanium Plated
304	



EA-6003 Tube SSS

Material	SUS 304 Stainless Steel
Thickness	35mm to 45mm
Finishes available	Satin Stainless Steel-SSS Polished Stainless Steel-PSS Titanium Plated
304	



EA-6328 Tube SSS

Material	SUS 304 Stainless Steel
Thickness	35mm to 45mm
Finishes available	Satin Stainless Steel-SSS Polished Stainless Steel-PSS Titanium Plated
304	



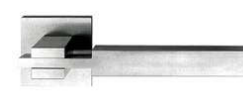
EA-6305 Tube SSS

Material	SUS 304 Stainless Steel
Thickness	35mm to 45mm
Finishes available	Satin Stainless Steel-SSS Polished Stainless Steel-PSS Titanium Plated
304	



EA-6395

Material	SUS 304 Stainless Steel
Thickness	35mm to 45mm
Finishes available	Satin Stainless Steel-SSS Polished Stainless Steel-PSS Titanium Plated
304	



EA-7062

Material	SUS 304 Stainless Steel
Thickness	35mm to 45mm
Finishes available	Satin Stainless Steel-SSS Polished Stainless Steel-PSS Titanium Plated
304	



EA-7064

Material	SUS 304 Stainless Steel
Thickness	35mm to 45mm
Finishes available	Satin Stainless Steel-SSS Polished Stainless Steel-PSS Titanium Plated
304	



EA-63112 Tube SSS

Material	SUS 304 Stainless Steel
Thickness	35mm to 45mm
Finishes available	Satin Stainless Steel-SSS Polished Stainless Steel-PSS Titanium Plated
304	



EA-6337 Tube SSS

Material	SUS 304 Stainless Steel
Thickness	35mm to 45mm
Finishes available	Satin Stainless Steel-SSS Polished Stainless Steel-PSS Titanium Plated
304	



EA-6331 Tube SSS

Material	SUS 304 Stainless Steel
Thickness	35mm to 45mm
Finishes available	Satin Stainless Steel-SSS Polished Stainless Steel-PSS Titanium Plated
304	



EA-70286

Material	SUS 304 Stainless Steel
Thickness	35mm to 45mm
Finishes available	Satin Stainless Steel-SSS Polished Stainless Steel-PSS Titanium Plated
304	



EA-60354

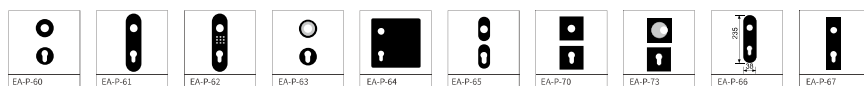
Material	SUS 304 Stainless Steel
Thickness	35mm to 45mm
Finishes available	Satin Stainless Steel-SSS Polished Stainless Steel-PSS Titanium Plated
304	



EA-70131

Material	SUS 304 Stainless Steel
Thickness	35mm to 45mm
Finishes available	Satin Stainless Steel-SSS Polished Stainless Steel-PSS Titanium Plated
304	

PLATE



FINISH



If there is a color difference between the printed material and the object, please take the color of the actual product as the criterion.



EA-70134

Material	
SUS 304 Stainless Steel	
Thickness	
35mm to 45mm	
Finishes available	Satin Stainless Steel-SSS Polished Stainless Steel-PSS Titanium Plated
304	



EA-70258

Material	
SUS 304 Stainless Steel	
Thickness	
35mm to 45mm	
Finishes available	Satin Stainless Steel-SSS Polished Stainless Steel-PSS Titanium Plated
304	



EA-70658

Material	
SUS 304 Stainless Steel	
Thickness	
35mm to 45mm	
Finishes available	Satin Stainless Steel-SSS Polished Stainless Steel-PSS Titanium Plated
304	



EA-6322

Material	
SUS 304 Stainless Steel	
Thickness	
35mm to 45mm	
Finishes available	Satin Stainless Steel-SSS Polished Stainless Steel-PSS Titanium Plated
304	



EA-6326

Material	
SUS 304 Stainless Steel	
Thickness	
35mm to 45mm	
Finishes available	Satin Stainless Steel-SSS Polished Stainless Steel-PSS Titanium Plated
304	



EA-6316

Material	
SUS 304 Stainless Steel	
Thickness	
35mm to 45mm	
Finishes available	Satin Stainless Steel-SSS Polished Stainless Steel-PSS Titanium Plated
304	



EA-6339 Tube SSS+WD

Material	
SUS 304 Stainless Steel	
Thickness	
35mm to 45mm	
Finishes available	Satin Stainless Steel-SSS Polished Stainless Steel-PSS Titanium Plated
304	



EA-6340 Tube SSS+WD

Material	
SUS 304 Stainless Steel	
Thickness	
35mm to 45mm	
Finishes available	Satin Stainless Steel-SSS Polished Stainless Steel-PSS Titanium Plated
304	



EA-6601

Material	
SUS 304 Stainless Steel	
Finishes	
Satin Stainless Steel-SSS Polished Stainless Steel-PSS Titanium Plated	
304	



EA-6701

Material	
SUS 304 Stainless Steel	
Finishes	
Satin Stainless Steel-SSS Polished Stainless Steel-PSS Titanium Plated	
304	



EA-6403

Material	
SUS 304 Stainless Steel	
Finishes	
Satin Stainless Steel-SSS Polished Stainless Steel-PSS Titanium Plated	
304	



SPINDLE:1



SPINDLE:2



SPINDLE:3



ART:01



ART:02/45X72



ART:03/48X85



ART:04/55X72



ART:04/55X72



ART:04/55X72



ART:04/55X72

PLATE



FINISH



If there is a color difference between the printed material and the object, please take the color of the actual product as the criterion.