



**Vertical Packaging  
Machine ZL-180PX  
With Auger Scale**



**Packaging Machine&Packing System  
Marketing Promotion Manual**



**Vertical Packaging  
Machine ZL-180PX  
With Volume Cup**



ADD:NO. 3, Huanzhen East Road, Guanglong Industrial  
Park, Chencun Town, Shunde District, Foshan City,  
Guangdong, China.  
Tel/Fax:0086-757-29833098  
Email:soontruemachinery@126.com  
Web:www.foshansoontrue.com  
Zip:528313



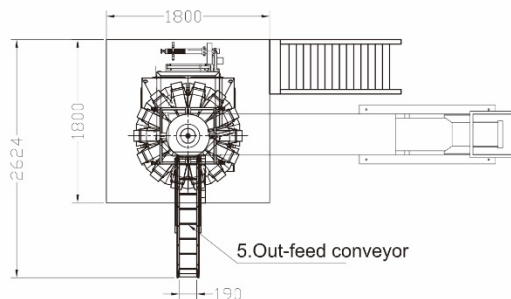
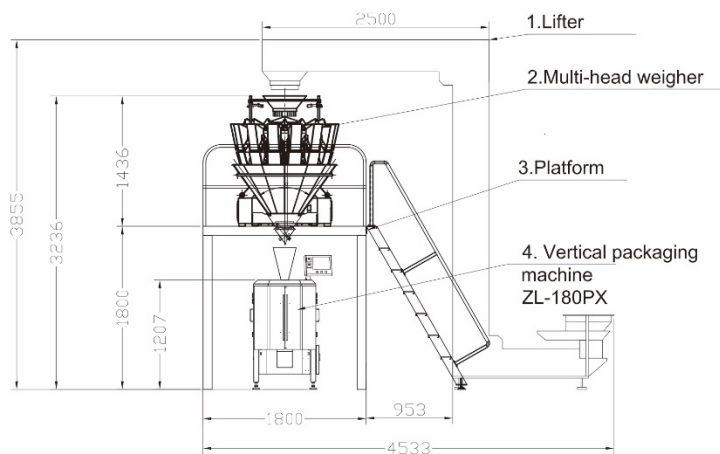
**FOSHAN SOONTRUE MACHINERY EQUIPMENT CO., LTD.**



## VERTICAL PACKAGING MACHINE ZL-180PX WITH MULTI-HEAD WEIGHER



### ► OUR SOLUTION



### ► APPLICATION

Mainly used for packing granules, strips, slices, lumps, powder with different packing types, including pillow type package, hole punching bag, conjoint bag and hole punching with conjoint bag.

### ► WEIGHING SYSTEM



Vibrating plate



Volume cup



Auger scale



Multi-head weigher

### ► OPTIONAL EQUIPMENT



Lifter



Shaft screw lifter



Lifter



Platform

### ► TECHNICAL PARAMETERS

#### VERTICAL PACKAGING MACHINE ZL-180PX

Bagging size range L50-170mm W50-150mm

Film width 120-320mm

Packing speed 20-100 bags/min

Film material PP, PE, PVC, PS, EVA, PET,

PVDC/PVC, OPP/GPP etc.

Air consumption 6kg/cm<sup>2</sup> 80L/min

Power supply type 1Ph 220V 50Hz

General power 4.0 KW

Machine weight 350Kg

Machine dimensions 1270x910x1485mm