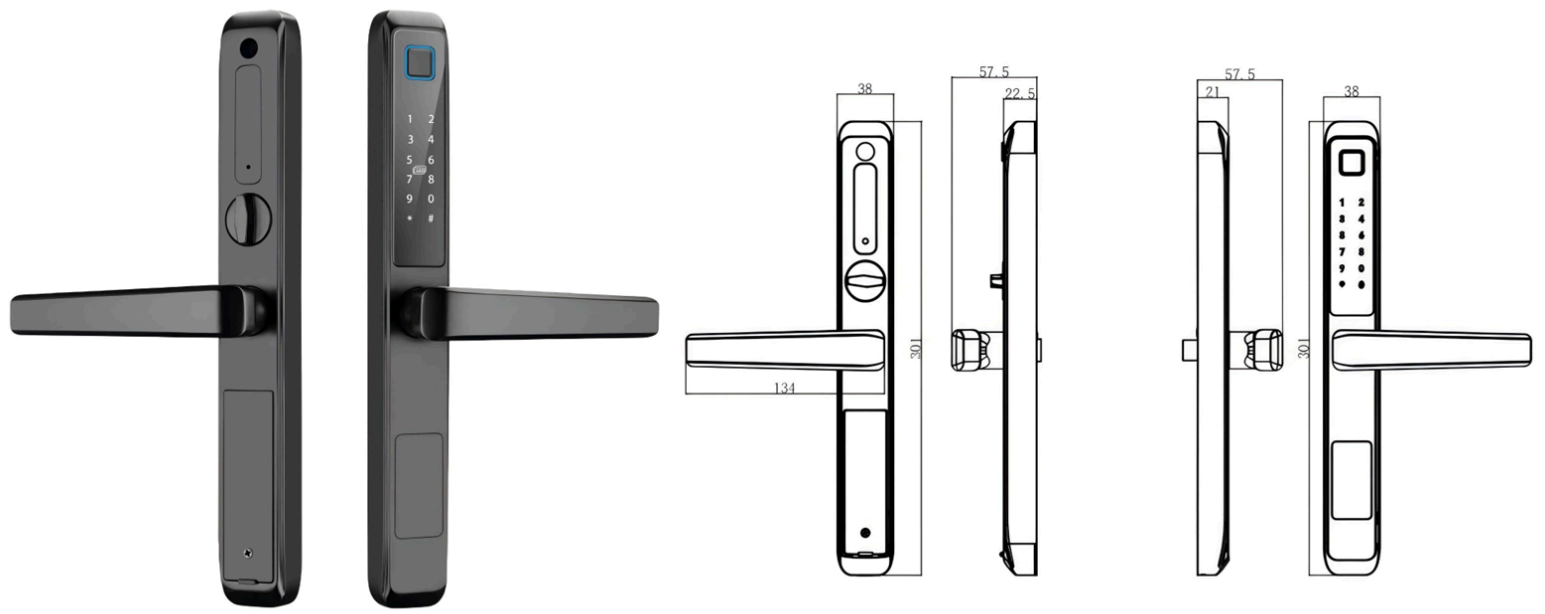


LJ01-E Semi-Automatic Narrow Frame Smart Lock



Technology parameter

Waterproof Rating	IP66	Color	Black-Grey
Power Supply	4 AA Batteries	Emergency Power	5V Power Bank
Face Capacity	None	Palm Vein Capacity	None
IC Card Capacity	100 Groups	Key Quantity	2 PCS
Main Material	Aluminum Alloy	Surface Treatment	Spraying Process
Lock Body Material	Stainless Steel	Cylinder Grade	C
Fingerprint Recognition	Semiconductor Fingerprint Sensor	Fingerprint Capacity	100
Remote Unlock	Optional	Remote Control Unlock	Optional
Password Capacity	100	IC Card Capacity	100
Suitable Profile	40mm+	Suitable Door Thickness	38mm-120mm
Operating Temperature	-25°C~+70°C	Dummy Password	Yes
Low Voltage / Anti-Prying / Wrong Attempt Alarm	Yes	System Language	Chinese / English

Opening mode

Standard Opening Modes	Fingerprint / IC Card / Password / Mechanical Key / WeChat Mini Program
Optional Unlocking Methods	Mobile APP / Remote Control / WiFi / Bluetooth