

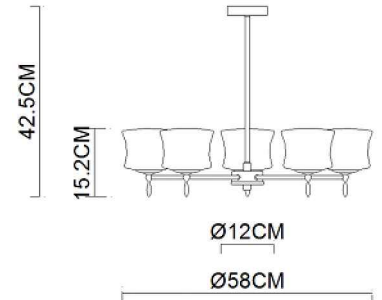
Specification Sheet

Picture:



Name: — — — Bordeaux 5 pendant
Code: — — — 3217
Finish: — — — Polished + Chrome + Opal
Main Material: — — Stainless steel + Steel
Shade Material: — Opal Glass

Product size:



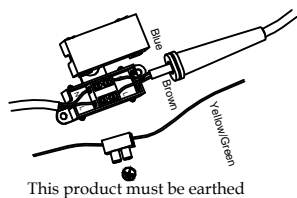
Lamp Source: G9
Wattage: 5x20W
Input Voltage: 220~240 V
Lumen: 1250 lm
Switch: Na
Energy Efficiency Class: C
Plug: Na

Specification:



Inner Box: 575*555*170(mm) 1pc
Gross Weight: 8.6 KGS
Outer Carton: 590*570*370(mm) 2pcs
Net Weight: 4.8 KGS

Cable Length / Terminal Block:



Installation Instruction:

