

# Specification Sheet

Picture:



Name: ----- Beauty Short Square Mirror Lighting

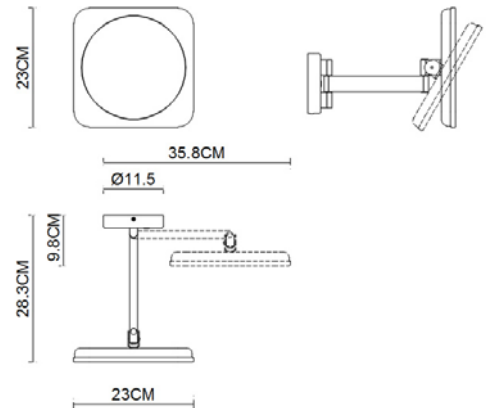
Code: ----- 1700

Finish: ----- Polished

Main Material: ---- Stainless steel + Steel

Shade Material: -- Acrylic

Product size:



Lamp Source: LED

Wattage: 1x6W

Input Voltage: 220~240 V

Lumen: 530lm

Switch: Micro Switch

Energy Efficiency Class: Class 2

Plug: Na

Specification:



IP44

Inner Box:

Gross Weight: KGS

380\*255\*150(mm) 1pc

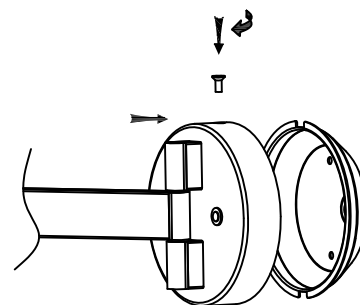
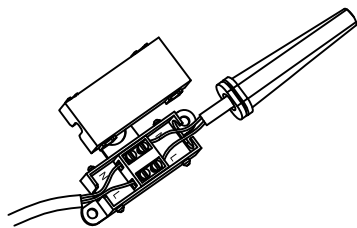
Net Weight: KGS

Outer Carton:

785\*400\*325(mm) 6pcs

Cable Length / Terminal Block:

Installation Instruction:



size:φ115\*26.5