

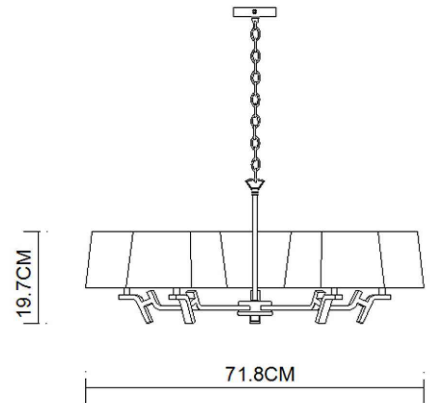
Specification Sheet

Picture:



Product size:

Name: ----- Logic 5 Pendant
Code: ----- 3419
Finish: ----- Polished
Main Material: -- Stainless steel
Shade Material: -- Fabric+PVC



Lamp Source: E14

Wattage: 5x40W / 5x9W

Input Voltage: 220~240 V

Lumen: 1700 lm

Switch: Na

Energy Efficiency Class:

Plug: Na

Specification:



Inner Box:

Gross Weight: 10.6KGS

620*220*650(mm) 1pc

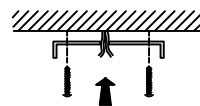
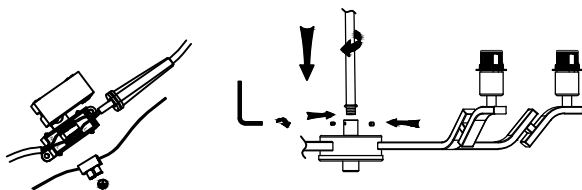
Net Weight: 6.4KGS

Outer Carton:

680*650*475(mm) 2pcs

Cable Length / Terminal Block:

Installation Instruction:



size:90*90*20

