

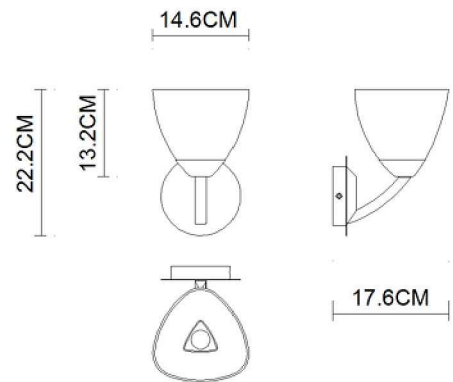
Specification Sheet

Picture:



Product size:

Name: ----- Sailing Wall Lamp
Code: ----- 1345
Finish: ----- Polished
Main Material: --- Stainless steel
Shade Material: -- Opal Glass



Lamp Source: E14

Wattage: 1x40W / 1x9W

Input Voltage: 220~240 V

Lumen: 340 lm

Switch: Na

Energy Efficiency Class:

Plug: Na

Specification:



Inner Box:

Gross Weight: 10.5KGS

205*205*315(mm) 1pc

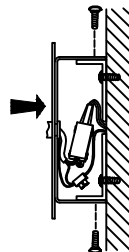
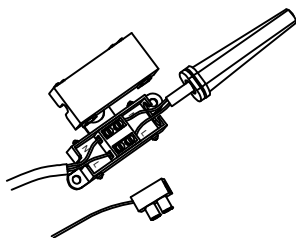
Net Weight: 5.7KGS

Outer Carton:

430*430*660(mm) 8pcs

Cable Length / Terminal Block:

Installation Instruction:



size:Ø90xH:20

