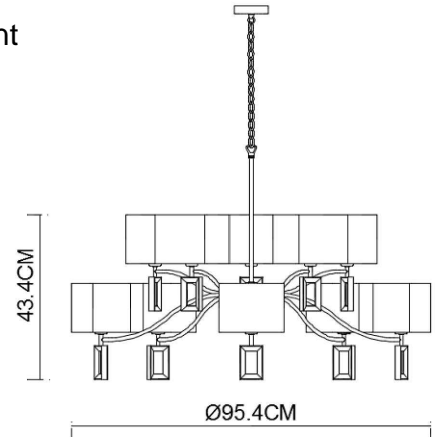


# Specification Sheet

Picture:



Product size:



Name: ----- Quadrate 10 pendant

Code: ----- 3302

Finish: ----- Polished

Main Material: --- Stainless steel  
+ Steel

Shade Material: -- Fabric+PVC

Lamp Source: E14

Wattage: 10x40W / 10x9W

Input Voltage: 220~240 V

Lumen: 3400 lm

Switch: Na

Energy Efficiency Class:

Plug: Na

Specification:



IP20

Inner Box:

Gross Weight: 23.3KGS

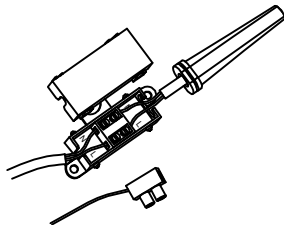
905\*875\*465(mm) 1pc

Net Weight: 7.8KGS

Outer Carton:

920\*890\*960(mm) 2pcs

Cable Length / Terminal Block:



Installation Instruction:

