

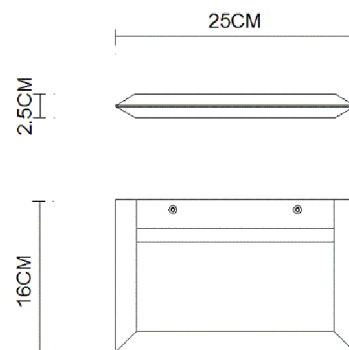
Specification Sheet

Picture:



Product size:

Name: ----- Mercury Wall Lamp
Code: ----- 1384
Finish: ----- Polished
Main Material: -- Stainless steel
Shade Material: -- Stainless steel



Lamp Source: LED

Wattage:  1x3W

Input Voltage: 220~240 V

Lumen: 220 lm

Switch: Na

Energy Efficiency Class: A

Plug: Na

Specification:



Inner Box:

300*75*215(mm) 1pc

Gross Weight: 9.4 KGS

Net Weight: 7.2 KGS

Outer Carton:

470*315*460(mm) 12pcs

Cable Length / Terminal Block:

Installation Instruction:

