

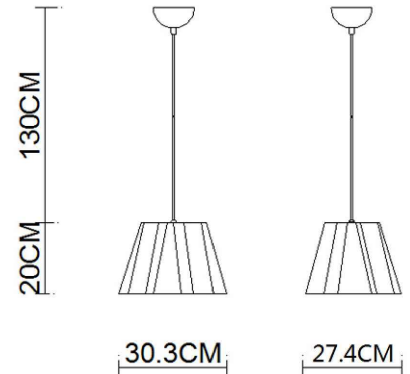
Specification Sheet

Picture:



Product size:

Name: ----- Fuji Plaster Pendant
Code: ----- 3296
Finish: ----- White
Main Material: --- Steel + Plaster
Shade Material: -- Plaster



Lamp Source: E27

Wattage: 1x60W / 1x12W

Input Voltage: 220~240 V

Lumen: 540 lm

Switch: Na

Energy Efficiency Class:

Plug: Na

Specification:



Inner Box:

Gross Weight: 14.6KGS

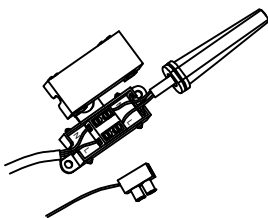
365*335*265(mm) 1pc

Net Weight: 11.4KGS

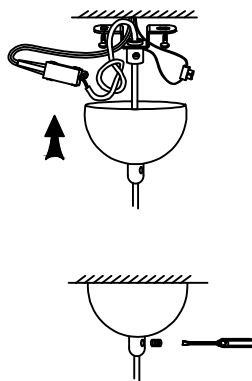
Outer Carton:

690*380*560(mm) 4pcs

Cable Length / Terminal Block:



Installation Instruction:



size:Ø115xH:57.3

