

Specification Sheet

Picture:



Name: ----- Span Table Lamp

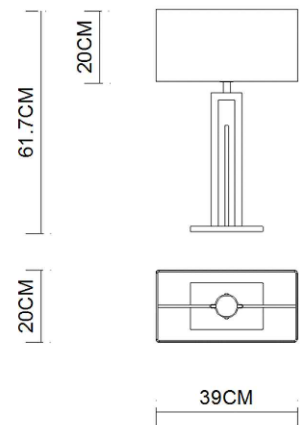
Code: ----- 4160

Finish: ----- Polished

Main Material: --- Stainless steel

Shade Material: -- Fabric+PVC

Product size:



Lamp Source: E27

Wattage:  1x60W /  1x12W

Input Voltage: 220~240 V

Lumen: 540 lm

Switch: In-line Switch

Energy Efficiency Class:

Plug: EU

Specification:



Inner Box:

Gross Weight: 14.6KGS

420*240*545(mm) 1pc

Net Weight: 9.2KGS

Outer Carton:

980*440*570(mm) 4pcs

Installation Instruction:

