

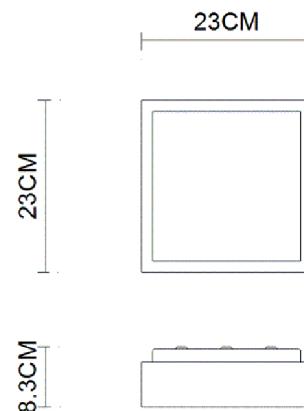
Specification Sheet

Picture:



Product size:

Name: ----- Photon Square
Small Ceiling Lamp
Code: ----- 3531
Finish: ----- Polished+White
Main Material: --- Stainless steel
Shade Material: -- Stainless steel



Lamp Source: LED

Wattage:  1x13W

Input Voltage: 220~240 V

Lumen: lm

Switch: Na

Energy Efficiency Class: A

Plug: Na

Specification:



Inner Box:

Gross Weight: 16 KGS

280*125*285(mm) 1pc

Net Weight: 12 KGS

Outer Carton:

575*300*530(mm) 8pcs

Cable Length / Terminal Block:

Installation Instruction:

