

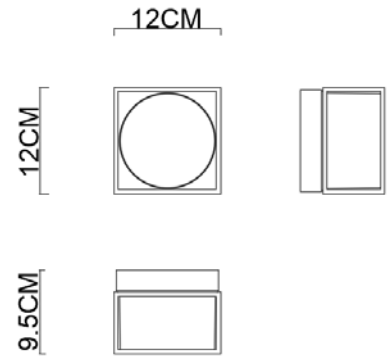
Specification Sheet

Picture:



Product size:

Name: ----- 4D
Code: ----- 1862
Finish: ----- Polished
Main Material: --- Stainless steel
Shade Material: -- Opal Glass



Lamp Source: LED

Wattage: 1x6W

Input Voltage: 220~240 V 50Hz/60Hz

Lumen: 480lm

Switch: Na

CRI: 80

Plug: Na

Color Temperature: 3000K

Energy Efficiency Class: A⁺⁺ A⁺ A

Specification:



Inner Box:

Gross Weight: KGS

175x175x155(mm) 1pc

Net Weight: 0.8 KGS

Outer Carton:

370*370*490(mm) 12pcs

Cable Length / Terminal Block:

Installation Instruction:

