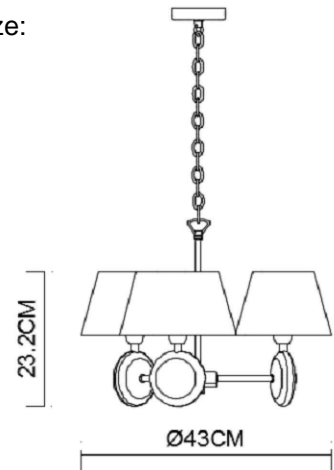


# Specification Sheet

Picture:



Product size:



Name: ----- Napoleon 3 pendant

Code:----- 3046

Finish: ----- Polished

Main Material: --- Stainless steel  
+ Steel

Shade Material: -- Fireproof Paper

Lamp Source: E14

Wattage: 3x40W / 3x9W

Input Voltage: 220~240 V

Lumen: 1020 lm

Switch: Na

Energy Efficiency Class:

Plug: Na

Specification:



IP20

Inner Box:

Gross Weight: 11.5KGS

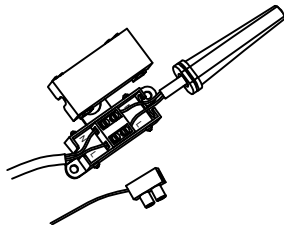
415\*260\*445(mm) 1pc

Net Weight: 6KGS

Outer Carton:

465\*435\*1070(mm) 4pcs

Cable Length / Terminal Block:



Installation Instruction:

