

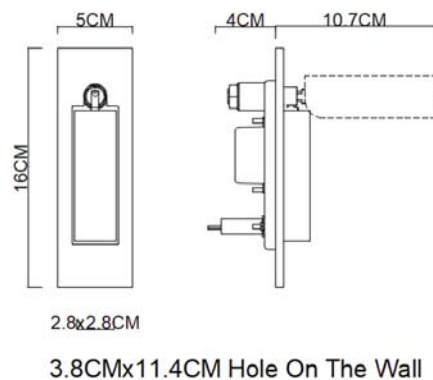
Specification Sheet

Picture:



Product size:

Name: ----- Dida 28 Mini Square Recessed Wall Lamp (MDC Switch)
Code: ----- 1837
Finish: ----- -Stainless Steel Polished+ Polished Chrome
-White
-Bronze+Antique Bas
Main Material: --- Stainless steel + Aluminium
Shade Material: -- Aluminium



Lamp Source: LED

Wattage:  1x2W

Input Voltage: 220~240 V

Lumen: 131 lm

Switch: MDC Switch

Energy Efficiency Class: A

Plug: Na

Specification:



Inner Box:

Gross Weight: KGS

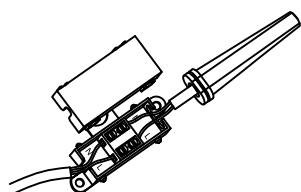
100*75*210(mm) 1pc

Net Weight: KGS

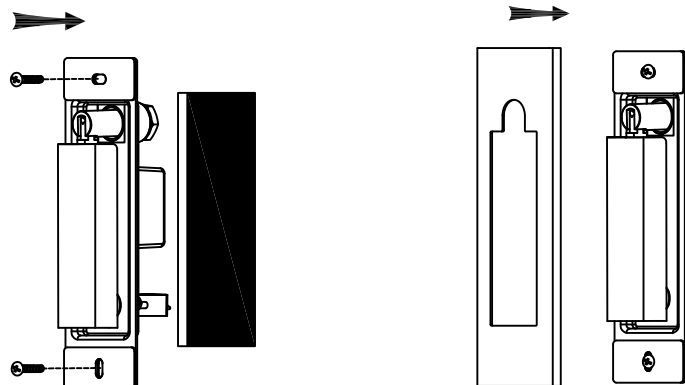
Outer Carton:

325*220*240(mm) 8pcs

Cable Length / Terminal Block:



Installation Instruction:



size:50x160x6

3.8CMx11.4CM Hole On The Wall