

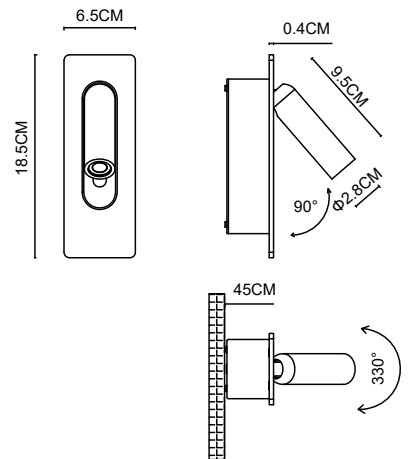
# Specification Sheet

Picture:



Name: ----- Page Wall Lamp +MDC Switch  
 Code: ----- 1889  
 Finish: ----- Chrome / Brushed  
 / Bronze / Black / White /  
 Gold Brushed /Copper Brushed /  
 Bronze+Gold Brushed  
 Main Material: - Steel + Aluminium

Product size:



Lamp Source:	LED	Wattage:	1x3W Max
Input Voltage:	220~240 V	Lumen:	180 lm
Switch:	Recloser Switch	CRI80	3000K Driver incl.
Plug:	Na		

Specification:



Inner Box:		Gross Weight:	KGS
100x100x225(mm)	1pc	Net Weight:	KGS
Outer Carton:			
425x220x475(mm)	16pcs		

Cable Length / Terminal Block:

Installation Instruction:

