

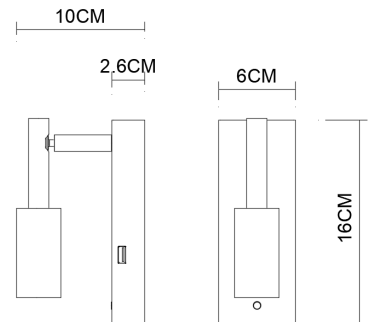
# Specification Sheet

Picture:



Product size:

Name: ----- **Whistle Vertical Wall Lamp+USB**  
Code: ----- 1621  
Finish: ----- Polished  
Main Material: --- Stainless steel + Aluminium  
Shade Material: -- Aluminium



Lamp Source: LED  
Wattage: 1x3W  
Input Voltage: 220~240 V  
Lumen: 121.4lm  
Switch: Micro Switch  
Energy Efficiency Class: A  
Plug: Na  
OUTPUT:5V\_1A

Specification:



Inner Box: Gross Weight: KGS  
190\*100\*150(mm) 1pc  
Net Weight: KGS  
Outer Carton:  
330\*230\*510(mm) 8pcs

Cable Length / Terminal Block:

Installation Instruction:

