

Specification Sheet

Picture:



Name: ----- Concept
Plaster Wall Lamp

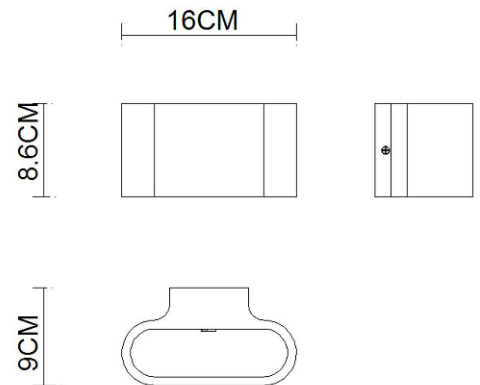
Code: ----- 1259

Finish: ----- White

Main Material: --- Plaster

Shade Material: -- Plaster

Product size:



Lamp Source: G9

Wattage: 1x20W

Input Voltage: 220~240 V

Lumen: 250 lm

Switch: Na

Energy Efficiency Class: C

Plug: Na

Specification:



Inner Box:

210*140*145(mm) 1pc

Gross Weight: 9.8KGS

Net Weight: 7.2KGS

Outer Carton:

450*450*330(mm) 12pcs

Cable Length / Terminal Block:

Installation Instruction:

