

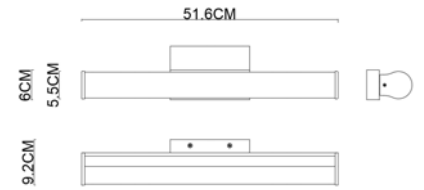
Specification Sheet

Picture:



Product size:

Name: ----- Cavalry
Code: ----- 1852
Finish: ----- Polished
Main Material: --- Stainless steel
Shade Material: -- Acrylic



Lamp Source: LED

Wattage: 1x10W

Input Voltage: 220~240 V 50Hz/60Hz

Lumen: 980lm

Switch: Na

CRI: 80

Plug: Na

Color Temperature: 3000K

Energy Efficiency Class: A⁺⁺ A⁺ A

Specification:



Inner Box:

120*100*580(mm) 1pc

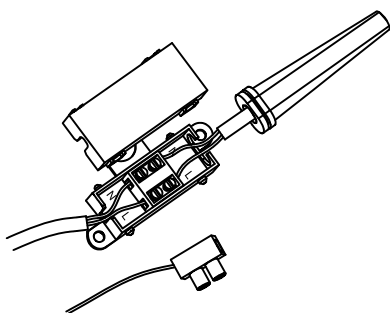
Gross Weight: KGS

Net Weight: 0.83 KGS

Outer Carton:

600*425*385(mm) 12pcs

Cable Length / Terminal Block:



Installation Instruction:

