

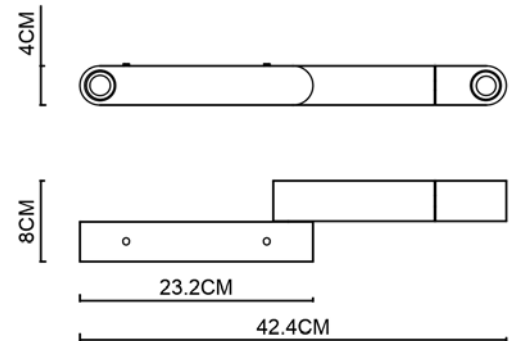
# Specification Sheet

Picture:



Product size:

Name: ----- Fold Twins Wall Lamp  
Code: ----- 1775  
Finish: ----- Polished  
Main Material: --- Stainless steel + Aluminium



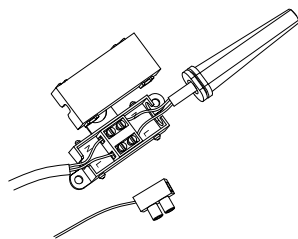
Lamp Source: LED  
Wattage: 2xMax1W  
Input Voltage: 220~240 V  
Lumen: 160 lm  
Switch: Micro Switch  
Energy Efficiency Class: A  
Plug: Na

Specification:



Inner Box: Gross Weight: KGS  
140\*100\*390(mm) 1pc  
Net Weight: KGS  
Outer Carton:  
420\*300\*420(mm) 8pcs

Cable Length / Terminal Block:



Installation Instruction:

size:230x40xH:40

