

特别提醒：本公司保留对产品外观和配件修改的权力，如有变更恕不另行通知，一切产品尺寸和颜色以实物为准。
Note:the company reserves the right to make change on the product appearance and no further notice is given.The dimension and color of any product are subject to those of the material object.

KITCHEN HARDWARE EFFICIENT
STORAGE SOLUTION

ARGENTE

银影系列



广州市纬东金属制品有限公司

Guangzhou Welldo Hardware Manufacturing Co., Ltd.

地址：广州市番禺区桥南街草河工业区德宁路北7巷18-26号

Address: No.18-26,Lane 7, north of Dening Road, Caohe Industrial Zone, Qiaonan Street, Panyu, Guangzhou,511486,Guangdong,China.

Tel: 0086-20-34619234 / Fax: 0086-20-34619235 Post Code: 511486

Email: fanbin@welldohardware.com

Website: www.welldohardware.com / www.gzwelldo.com

wilerton 威勒顿

ADHERING TO THE CONCEPT OF LIFE FASHION, HIGHLIGHTING
THE NOBLE QUALITY OF LIFE.

厨房五金高效收纳专家

wilerton 威勒顿

WELDO IS A KITCHEN HARDWARE EFFICIENT STORAGE EXPERT, FOUNDED IN 2004.
威勒顿是厨房五金高效收纳专家，始创于 2004 年

WITH THE MISSION OF CREATING A HEALTHY AND CLEAN HOME KITCHEN ,WELDO GATHERS GLOBAL DESIGN INSPIRATION AND ADHERES TO THE CONCEPT OF LIFESTYLE. MORE SAFE AND ENVIRONMENT FRIENDLY KITCHEN PRODUCTS WILL BLOOM THE BEAUTY OF LIFE IN THE KITCHEN SPACE WITH SIMPLE, BEAUTIFUL AND CREATIVE THINKING.

威勒顿以创造健康洁净的家居厨卫生活为使命，汇聚全球设计灵感，秉承生活时尚理念。将更多环保健康厨卫产品以简约、美观、富有创意感的思维将厨卫空间绽放生活之美。

THE PRODUCTS COVER TODAY'S STAINLESS STEEL KITCHEN AND BATHROOM SYSTEMS, HIGHLIGHTING THE FASHIONABLE AND NOBLE QUALITY OF LIFE.
产品涵盖当今不锈钢厨卫系统，彰显时尚、高贵的生活品质。

QUALITY
品质

PROFESSIONAL
MAKES THE FUTURE
专业造就未来

FASHION
时尚

ENTERPRISE OVERVIEW 企业概述

GUANGZHOU WELDO HARDWARE MANUFACTURING CO., LTD. IS CURRENTLY THE MOST PROFESSIONAL MANUFACTURER IN CHINA THAT DESIGNS, MANUFACTURES AND SELLS HIGH-QUALITY MULTIFUNCTIONAL CABINET COMBINATION BASKETS, CABINET DRAWER BASKETS, MULTIFUNCTIONAL DRAWER BASKETS, KITCHEN HANGERS AND OTHER CABINET ACCESSORIES.

WELDO FIRMLY BELIEVES THAT PROFESSIONALISM CREATES EXCELLENT QUALITY, TAKES THE MARKET AS THE GUIDE, AND MEETS THE NEEDS OF CONSUMERS AS THE CORE. WE ARE COMMITTED TO TECHNOLOGICAL INNOVATION AND PUT IT INTO PRODUCT DESIGN, DEVELOPMENT AND PRODUCTION. WHICH ARE PERFECTLY COMBINED. WELDO PEOPLE BELIEVE THAT PROFESSIONALISM IS THE PREMISE OF EXCELLENT QUALITY, AND ADVANCED MANAGEMENT AND STRICT QUALITY CONTROL SYSTEM ARE IMPORTANT GUARANTEES FOR EXCELLENT QUALITY.

广州市纬东金属制品有限公司是目前国内设计、制造和销售高品质的多功能橱柜组合拉篮、橱柜抽屉拉篮、多功能抽屉拉篮、厨房挂架及其它橱柜配件的最专业的制造商之一。

纬东坚信专业造就卓越品质，以市场为导向，以满足消费者需求为核心，致力于技术创新并将其投入到产品的设计、开发和生产上，还将产品的功能、技术、美观及人性化完美地结合在一起。纬东人深信专业是卓越品质的前提，先进的管理及严格的质量控制体系是卓越品质的重要保障。



It is not only flexible and practical, but also has the effect of decorating space, providing more reverie and variability to life. Incorporate into life, but above life.

不仅灵活实用，还附带装饰空间的效果，给生活提供了更多的遐想和可变性。融入生活，而又高于生活。

ARGENTE SERIES

银影系列

意大利设计师以绚烂优雅而不事张扬的银饰为创作源头，精心打造了一个秀丽华彩的厨房储物空间。全系列以宽厚的扁线为篮身，底部使用布纹质感的 MDF 质材，再整体喷上银灰色的烤漆，全系列既坚固实用，又尽显银器的秀美大气，为追求低调奢华和品质生活的用户带来最佳选择。

意大利设计师创作时大胆使用了复古风格的圆润底部包边和刻意保留的篮身圆角，配以厚重的扁料作为架构，透出浓浓的意大利文艺复兴精神，又巧妙地搭配上银灰色调的哑光饰面，刻意为本来繁杂的厨房演绎了一个充满浪漫气息而又尊重传统的意大利故事。令人仿佛置身于追求既浪漫而又有品质的生活的意大利复古空间。而轻盈的色彩又令人远离繁器，重新回到现代人向往的轻松和惬意。一个快乐的银灰色的小精灵跳动的私人空间由此而生，我只在自己的世界里快乐！

ITALIAN STYLIST FOUND HIS
INSPIRATION FROM SILVER ORNAMENT,
WHICH IS GORGEOUS ELEGANCE AND NON-
PUBLICITY, CREATED A BEAUTIFUL AND ORGANIZED
KITCHEN STORAGE SPACE

Happiness is hidden in the small details
of daily life

幸福感都藏在日常的小细节里







INGENIOUS BOUTIQUE, EVERY OUNCE OF RIGOR. IN THE PRECISE DETAILS OF EVERY DETAIL, A LUXURIOUS QUALITY LIFE IS CREATED.

匠心精品，一分一厘的严谨。于精准毫厘细枝末节中，铸就奢华品质生活。

SEIKO TECHNOLOGY
精工科技

THE PROFESSIONAL DESIGN TEAM ABSORBS EXCELLENT DESIGN ACHIEVEMENTS AT HOME AND ABROAD, INSISTS ON INNOVATION AND BREAKTHROUGH FROM CRAFTSMANSHIP TO APPEARANCE, TAKES COMFORTABLE CUSTOMER EXPERIENCE AS ITS OWN RESPONSIBILITY, AND GUIDES THE EFFICIENT STORAGE OF KITCHEN HARDWARE. DEFINING SPACE AESTHETICS FROM THE HEART, BRINGING TOGETHER MANY HIGH-PRECISION TECHNOLOGIES, AND CONTINUOUSLY ADDING INNOVATIVE DESIGN AND PRODUCTION ELEMENTS, GIVING PRODUCTS EXQUISITE TEXTURE AND TOUCH. SEIKO CREATES EXTRAORDINARY QUALITY TO HELP YOU CREATE YOUR OWN DREAM SPACE.

专业的设计团队，吸收国内外优秀设计成果，从工艺到外观，坚持创新与突破，以舒适的客户体验为己任，引导厨房五金高效收纳。重新定义空间美学，汇集众多高精尖的技术，持续不断加入创新设计与制作元素，赋予产品精致质感及触感。精工铸就非凡品质，助你打造属于自己的梦想空间。

STRICT CONTROL OF QUALITY,
EVERY DETAIL PAYS ATTENTION TO
PEOPLE'S INNER PURSUIT OF SELF-
GRADE UPGRADE.

对品质的严格把控，每一处细节均注重人内心对自我品位升级的追求。



STRONG LOAD BEARING
强力承重

Bold frame support, good toughness, high hardness, beautiful and atmospheric, and the steel shows its true color. Elevated guardrail, safe and reliable. The bearing capacity is strong, the welding is firm, the storage is stable and does not fall, and there is no need to worry about damaging the tableware. Put more and more stable, contract your entire kitchen.

加粗框架支撑，韧性好，硬度高，美观大气，钢显本色。加高护栏，安全可靠。承重力强，焊接牢固，置物稳固不掉落，不用担心碰坏餐具。放的又多又稳，承包您整个厨房。

MULTI-LAYER LARGE CAPACITY
多层大容量

Break through the storage area and store more. Kitchen utensils are not afraid to put; can store kitchen wok, soup pot, plate, small appliances, less floor space, more storage space, make the home bigger. Arbitrary activities, easy to take, easy to disassemble and wash, filled with kitchen supplies, conveying the love of life.

突破置物面积，收纳更多。厨房餐具不怕放：可收纳厨房炒锅、汤锅、碟盘、小家电，更少占地面积，更多收纳空间，让家更大。任意活动、拿取方便、拆洗便捷，填满的是厨房用品，传达的是对生活的热爱。

PRECISE STORAGE
精细分储

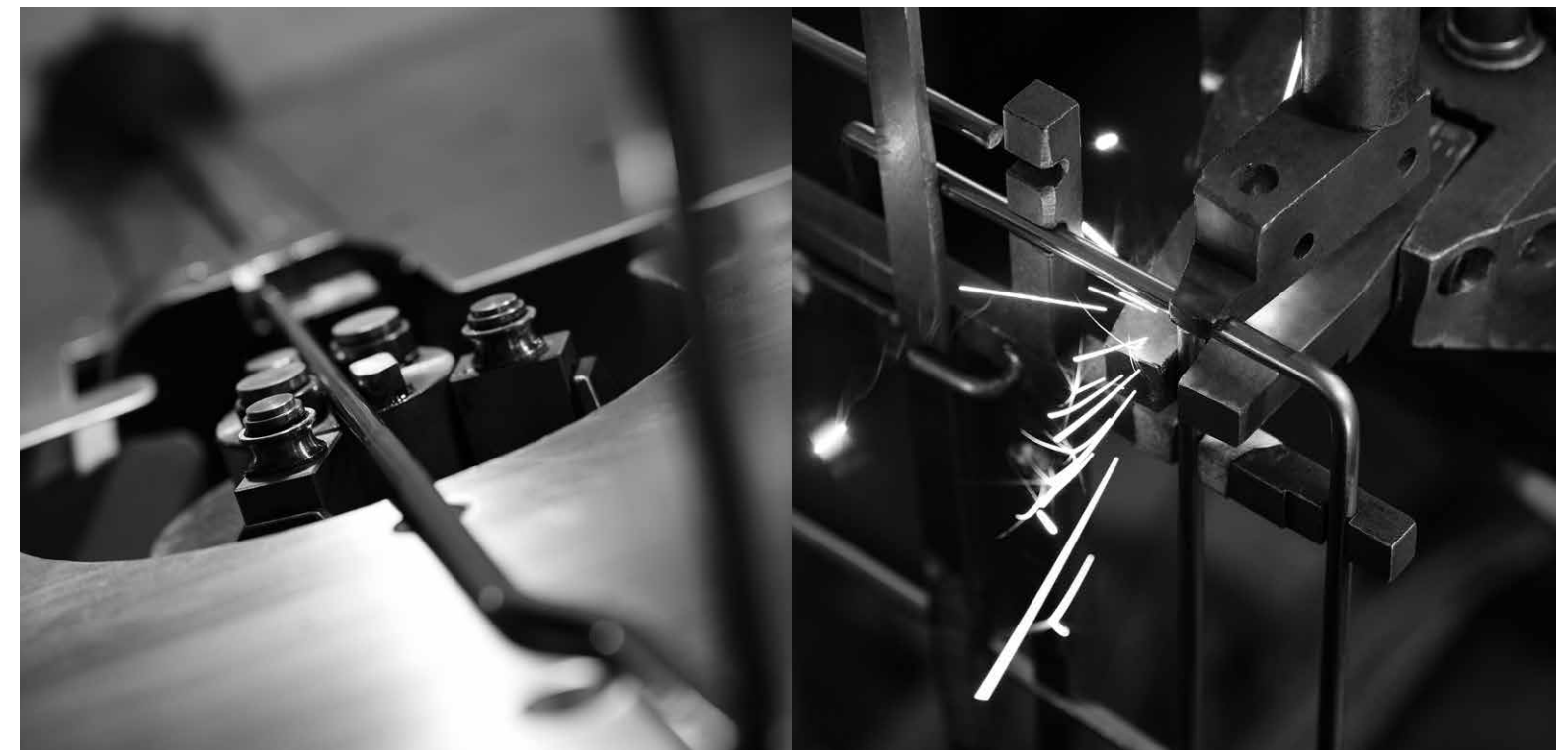
Breaking through the neatness of storage: different items are stored in different categories, neat and not messy, and meticulous. Regardless of the left and right, break through the cabinet restrictions: the door opening direction is universal, and it can meet various cabinet layouts. Flexible storage, rejecting clutter, and showing the style of life.

突破收纳整齐度：不同物品，分类存放，整洁不乱，一丝不苟。不分左右，突破柜体限制：开门方向通用，满足各种柜体格局。灵活收纳，拒绝杂乱，彰显出生活格调。

EASY TO CLEAN AND NOT AFRAID OF STAINS. THE SURFACE IS STURDY AND WEAR-RESISTANT, AND THE OIL IS WIPED CLEAN. NOT EASY TO RUST, VENTILATED AND VENTILATED WITHOUT BREEDING BACTERIA.

不沉没于普通，也不迷失于浮华，功能与形式透过卓越工艺彰显设计之美，享受高品质所带来的使用感和愉悦感。

DREAM KITCHEN SPACE
梦想的厨房空间



转盘小怪物

CORNER PULL-OUT

IT HAS A SENSE OF RITUAL USE AND DOES NOT INTERFERE WITH EACH OTHER, GET ORGANIZED, SAY GOODBYE TO CLUTTER.

颇具使用仪式感，并且互不受干扰，井井有条，告别凌乱。



SPACE
VALUE 空间价值



MODERN

现代质感

THE DESIGN IS SIMPLE AND PRACTICAL,
AND THE FUNCTIONAL AREAS ARE
DIVIDED TO MAKE THE SPACE ORDERLY.

设计简约而实用，划分功能区域，
使得空间井然有序。

GIVE THE SPACE MORE SPIRITUAL
CONNOTATION, COMBINE THE
OWNER'S HOBBIES AND LIVING NEEDS,
AND CREATE A POETIC DWELLING WITH
MINIMALISM AND NATURE.

为空间赋予更多的精神内涵，结合了主人的爱好及
生活需求，以极简自然打造出诗意的栖居。

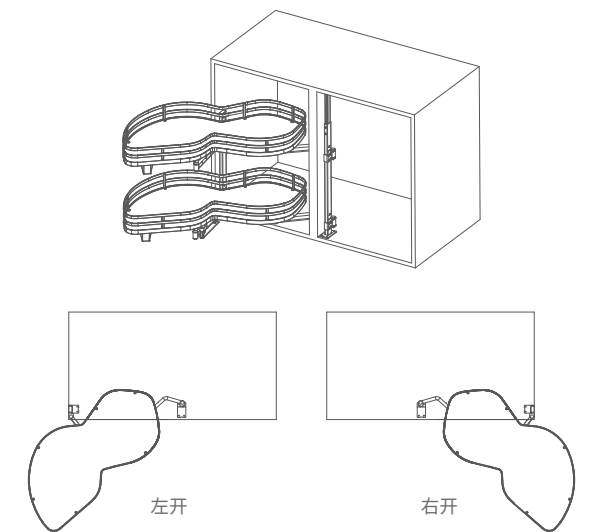
DAILY NEEDS

生活需求





IMPROVE THE INTERACTIVITY OF THE SPACE IN A TIMELY MANNER.
适时提升空间的互动性。



| ITEM 型号 | DESCRIPTION 产品描述 | SPECIFICATION (MM) 产品规格 深 x 宽 x 高 (MM) | CABINET WIDTH (MM) 橱柜宽度 (MM) | INSIDE WIDTH OF CABINET (MM) 橱柜内宽度 (MM) |
|------------|---------------------|---|---------------------------------|--|
| A011M2 | 转盘小怪物 (左开 left) | D525xW800xH(650-750) | 850 - 900 | 814 - 864 |
| A011-01M2 | 转盘小怪物 (右开 right) | D525xW800xH(650-750) | 850 - 900 | 814 - 864 |



VISION
TOUCH
视觉 / 触觉

小怪物

MAGIC CORNER

UNIQUE LOOK WITH CURVED LINES. DOUBLE-LAYER LARGE CAPACITY, SPACE SEPARATION, CLASSIFIED STORAGE.

独特外观，采用弧形线条设计。双层大容量，空间分隔，分类储存。



QUALITY LIFE

现代质感

BRINGING YOU VISUAL STUNNING WHILE
ENJOYING FUNCTIONAL COMFORT,
MEETING ALL YOUR EXPECTATIONS FOR
QUALITY LIFE.

带给您视觉惊艳的同时享受功能的舒适，满足您对品质生活的所有期望。

EASILY ADJUST THE HEIGHT
TO MEET THE NEEDS OF DIFFERENT ITEMS
WITHOUT THE NEED FOR TOOLS.
THE CHOICE OF MATERIALS
HARMONIOUSLY BLENDS ARTISTIC INSTINCTS
WITH THOUGHTFUL BALANCE.

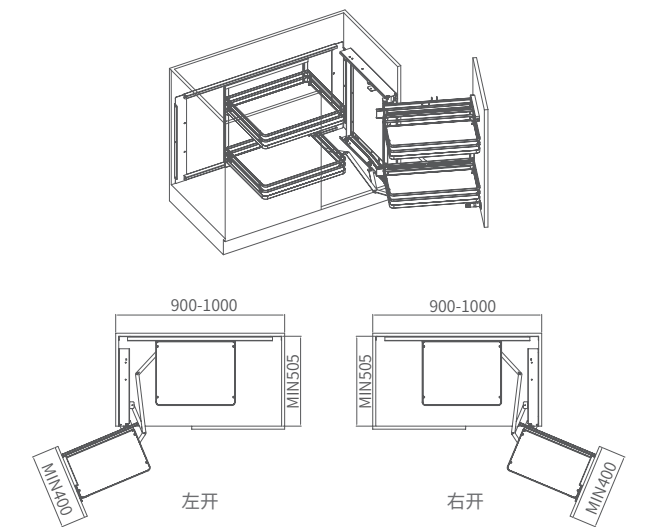
轻松调节高度，满足不同物品的需求，无需工具。材料选择
将艺术本能与深思熟虑的平衡和谐地融合在一起。

INGENIOUS BOUTIQUE
匠心精品





EVERY OUNCE OF RIGOR CREATES
A LUXURIOUS AND HIGH-QUALITY LIFE.
一分一厘的严谨，铸就奢品质生活。



| ITEM 型号 | DESCRIPTION 产品描述 | SPECIFICATION (MM) 产品规格 深 x 宽 x 高 (MM) | CABINET WIDTH (MM) 橱柜宽度 (MM) | INSIDE WIDTH OF CABINET (MM) 橱柜内宽度 (MM) |
|------------|--|---|---------------------------------|--|
| A541M2 | 小怪物 (不分左右) Without left and right difference | D500xW(864-964)xH530 | 900-1000 | 864-964 |

高深拉篮

TALL LARDER PULL-OUT



FIND THE BEST BALANCE BETWEEN DESIGN AND PRACTICALITY, FULLY REFLECT ITS CHARM, AND MEET THE PURSUIT OF PRACTICALITY AND AESTHETICS.

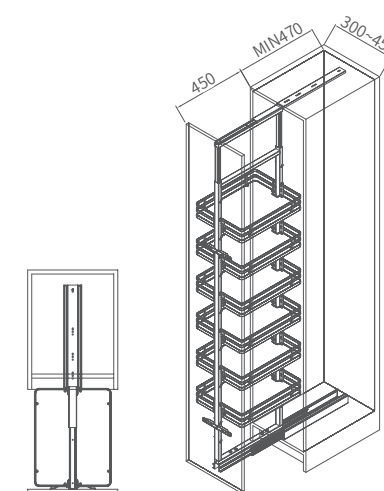
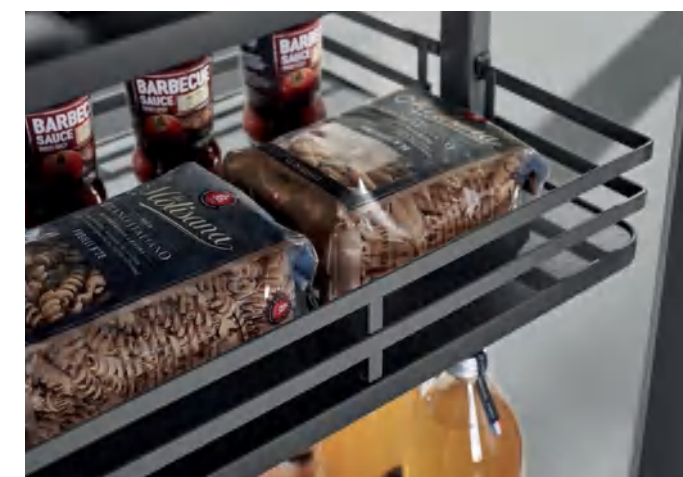
容量超乎想象，多层单独存储空间，让厨房更整洁美观。







THE CRYSTALLIZATION OF
INSPIRATION AND CREATIVITY, PEOPLE-
ORIENTED DESIGN CONCEPT.
灵感与创意的结晶，以人为本的设计理念。

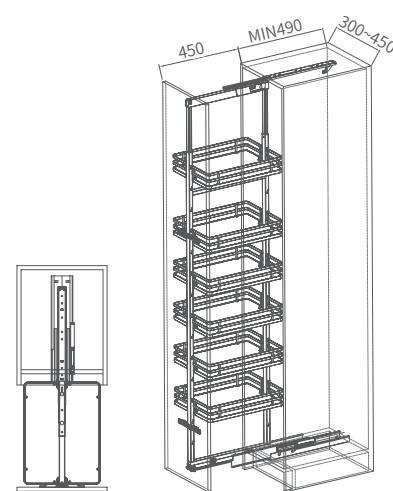


| ITEM 型号 | DESCRIPTION 产品描述 | SPECIFICATION (MM) 产品规格 深 x 宽 x 高 (MM) | CABINET WIDTH (MM) 橱柜宽度 (MM) | INSIDE WIDTH OF CABINET (MM) 橱柜内宽度 (MM) |
|------------|---------------------|---|---------------------------------|--|
| A341AM2 | 四层高深拉篮 4 - SHELF | D460xW240xH(1150-1350) | 300 | 264 |
| A341BM2 | 四层高深拉篮 4 - SHELF | D460xW340xH(1150-1350) | 400 | 364 |
| A351AM2 | 五层高深拉篮 5 - SHELF | D460xW240xH(1500-1800) | 300 | 264 |
| A351BM2 | 五层高深拉篮 5 - SHELF | D460xW340xH(1500-1800) | 400 | 364 |
| A361AM2 | 六层高深拉篮 6 - SHELF | D460xW240xH(1700-2000) | 300 | 264 |
| A361BM2 | 六层高深拉篮 6 - SHELF | D460xW340xH(1700-2000) | 400 | 364 |
| A362AM2 | 六层高深拉篮 6 - SHELF | D460xW240xH(1850-2200) | 300 | 264 |
| A362BM2 | 六层高深拉篮 6 - SHELF | D460xW340xH(1850-2200) | 400 | 364 |
| A362CM2 | 六层高深拉篮 6 - SHELF | D460xW390xH(1850-2200) | 450 | 414 |



UNLEASH THE CHARM AND PRESENT YOU WITH AN ELEGANT AND ARTISTIC STORAGE SPACE.

释放魅力，为您呈现一个优雅、艺术的收纳空间。



Fulterer

纯欧洲进口，奥地利 Fulterer 重型阻尼滑轨，承重 120KG

| ITEM 型号 | DESCRIPTION 产品描述 | SPECIFICATION (MM) 产品规格 深 x 宽 x 高 (MM) | CABINET WIDTH (MM) 橱柜宽度 (MM) | INSIDE WIDTH OF CABINET (MM) 橱柜内宽度 (MM) |
|------------|---------------------|---|---------------------------------|--|
| A841AM2 | 四层高深拉篮 4 - SHELF | D480xW240xH(1150-1350) | 300 | 264 |
| A841BM2 | 四层高深拉篮 4 - SHELF | D480xW340xH(1150-1350) | 400 | 364 |
| A851AM2 | 五层高深拉篮 5 - SHELF | D480xW240xH(1500-1800) | 300 | 264 |
| A851BM2 | 五层高深拉篮 5 - SHELF | D480xW340xH(1500-1800) | 400 | 364 |
| A861AM2 | 六层高深拉篮 6 - SHELF | D480xW240xH(1700-2000) | 300 | 264 |
| A861BM2 | 六层高深拉篮 6 - SHELF | D480xW340xH(1700-2000) | 400 | 364 |
| A862AM2 | 六层高深拉篮 6 - SHELF | D480xW240xH(1850-2200) | 300 | 264 |
| A862BM2 | 六层高深拉篮 6 - SHELF | D480xW340xH(1850-2200) | 400 | 364 |
| A862CM2 | 六层高深拉篮 6 - SHELF | D480xW390xH(1850-2200) | 450 | 414 |



欧伊那松味调味料
(复合调味料)
净含量: 80克

欧伊那松味调味料
(复合调味料)
净含量: 80克

欧伊那松味调味料
(复合调味料)
净含量: 80克

AGF
Blendy

AGF
Blendy

怪物

PANTRY DEPOT

THE HEIGHT OF THE FLOOR IS ADJUSTABLE TO MEET THE NEEDS OF DIFFERENT ITEMS. RAISE THE GUARDRAIL, ITEMS ARE NOT EASY TO FALL.

层高可调，满足不同物品需求。加高护栏，物品不易摔落。



PRACTICAL
TASTE

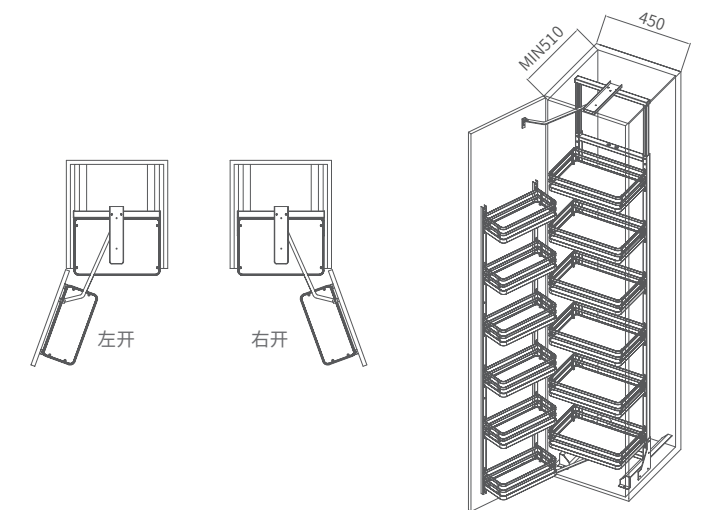
实用 / 品味





HIGHLIGHT THE COMFORTABLE
TEXTURE OF LIFE AND BRING YOU A
DIFFERENT EXPERIENCE.

彰显生活的惬意质感，给您带来不一样的体验。

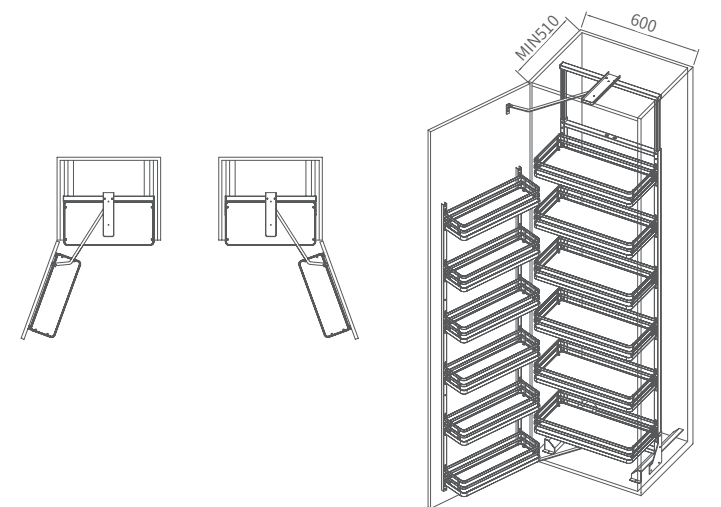
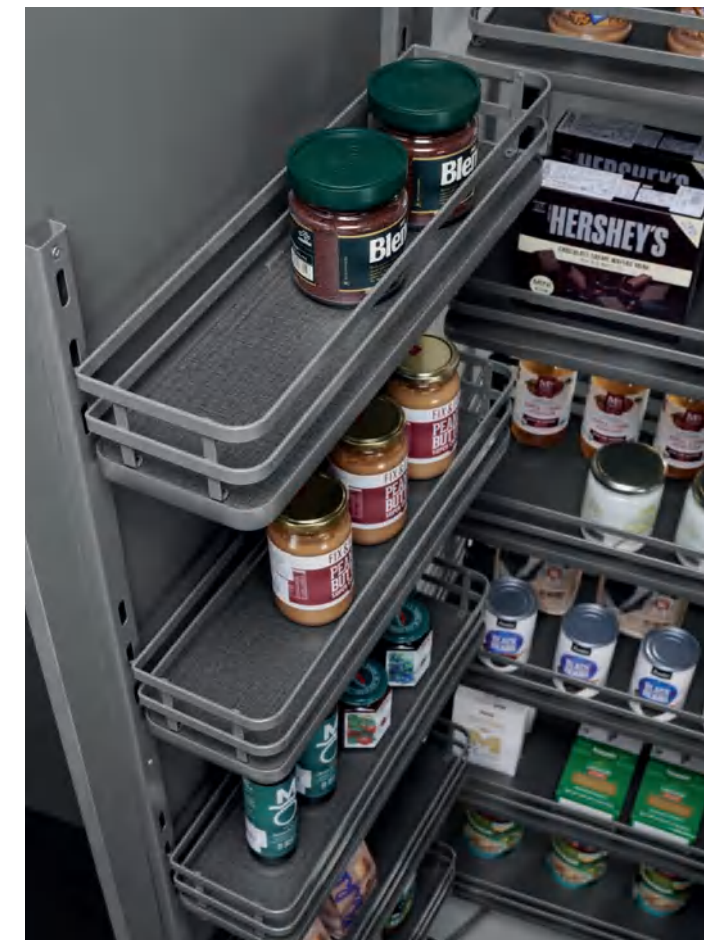


| ITEM 型号 | DESCRIPTION 产品描述 | SPECIFICATION (MM) 产品规格 深 x 宽 x 高 (MM) | CABINET WIDTH (MM) 橱柜宽度 (MM) | INSIDE WIDTH OF CABINET (MM) 橱柜内宽度 (MM) |
|------------|---------------------|---|---------------------------------|--|
| A661-01M2 | 六层半怪物 6 - SHELF | D500xW380xH(1850-2250) | 450 | 414 |
| A662-01M2 | 六层半怪物 6 - SHELF | D500xW380xH(1650-1950) | 450 | 414 |
| A651-01M2 | 五层半怪物 5 - SHELF | D500xW380xH(1350-1550) | 450 | 414 |
| A652-01M2 | 四层半怪物 4 - SHELF | D500xW380xH(1150-1350) | 450 | 414 |



THE FLEXIBLE AND MULTI-PURPOSE FUNCTIONAL DESIGN REVEALS LANE'S WARMTH TOWARDS LIFE.

灵活多用的功能设计透露巷对生活的温情。



| ITEM 型号 | DESCRIPTION 产品描述 | SPECIFICATION (MM) 产品规格 深 x 宽 x 高 (MM) | CABINET WIDTH (MM) 橱柜宽度 (MM) | INSIDE WIDTH OF CABINET (MM) 橱柜内宽度 (MM) |
|------------|---------------------|---|---------------------------------|--|
| A670M2 | 三层半怪物 3 - SHELF | D500xW520xH(700-1000) | 600 | 564 |
| A671M2 | 四层半怪物 4 - SHELF | D500xW520xH(1150-1350) | 600 | 564 |
| A672M2 | 五层半怪物 5 - SHELF | D500xW520xH(1350-1650) | 600 | 564 |
| A673M2 | 六层半怪物 6 - SHELF | D500xW520xH(1650-1950) | 600 | 564 |
| A674M2 | 六层半怪物 6 - SHELF | D500xW520xH(1850-2250) | 600 | 564 |



THE UNIQUE DESIGN OF SIMPLIFYING COMPLEXITY AND WISDOM ADDS A BEAUTIFUL TOUCH TO THE SPACE.
以化繁为简、极具智慧的独特设计为空间又增添了靓丽的一笔。

灵感与创意的结晶，以人为本的设计理念。



TOUCHABLE QUALITY
可以触摸的品质

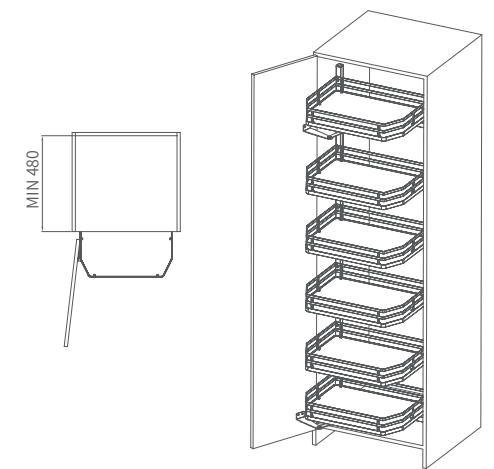
THE PERFECT COMBINATION

OF ART AND LIFE
艺术与生活的完美结合



NOT ONLY BRING YOU THE PERFECT ENJOYMENT OF FUNCTION, BUT ALSO WITNESS YOUR STYLE LIFE.

不仅为您带来功能上的完美享受，同时见证您的格调生活。



| ITEM 型号 | DESCRIPTION 产品描述 | SPECIFICATION (MM) 产品规格 深 x 宽 x 高 (MM) | CABINET WIDTH (MM) 橱柜宽度 (MM) | INSIDE WIDTH OF CABINET (MM) 橱柜内宽度 (MM) |
|---------|--------------------|--|------------------------------|---|
| A6306M2 | 六层全拉出半怪物 6 - SHELF | D475xW250xH1770 | 300 | 264 |
| A6406M2 | 六层全拉出半怪物 6 - SHELF | D475xW350xH1770 | 400 | 364 |
| A6456M2 | 六层全拉出半怪物 6 - SHELF | D475xW400xH1770 | 450 | 414 |
| A6506M2 | 六层全拉出半怪物 6 - SHELF | D475xW450xH1770 | 500 | 464 |
| A6606M2 | 六层全拉出半怪物 6 - SHELF | D475xW550xH1770 | 600 | 564 |

THE COMBINATION OF ELEGANCE AND PRACTICALITY GUARANTEES FUNCTIONAL AND PRACTICALITY, AND THERE IS NO LACK OF FASHION STYLE.

高雅与实用的结合，保证功能实用的同时，且不乏时尚格调。



平飞篮 PULL-OUT BASKET

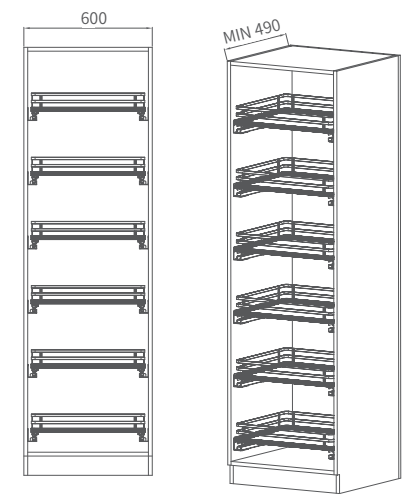
DAMPING SLIDE RAIL, SILENT BUFFER, THE HEAVIER THE LOAD, THE SMOOTHER IT IS.
阻尼滑轨，静音缓冲，承重越重越顺畅。







THE DOTS, LINES AND PLANES ARE PRESENTED IN AN ORDERLY SPACE, LIKE A MEMORY FRAGMENT EXTRACTED FROM TIME.
点线面在空间秩序呈现，恍若从时光中萃取的记忆片段。



| ITEM 型号 | DESCRIPTION 产品描述 | SPECIFICATION (MM) 产品规格 深 x 宽 x 高 (MM) | CABINET WIDTH (MM) 橱柜宽度 (MM) | INSIDE WIDTH OF CABINET (MM) 橱柜内宽度 (MM) |
|---------|--------------------------|--|------------------------------|---|
| B8160M2 | 600 柜平飞篮 Pull-out basket | D485xW564xH130 | 600 | 564 |
| B8170M2 | 700 柜平飞篮 Pull-out basket | D485xW664xH130 | 700 | 664 |
| B8180M2 | 800 柜平飞篮 Pull-out basket | D485xW764xH130 | 800 | 764 |
| B8190M2 | 900 柜平飞篮 Pull-out basket | D485xW864xH130 | 900 | 864 |

IT IS NOT ONLY FLEXIBLE AND PRACTICAL, BUT ALSO HAS THE EFFECT OF DECORATING SPACE, PROVIDING MORE REVERIE AND VARIABILITY TO LIFE.



展现自然和纯洁

SHOW NATURE AND PURITY

没有刻意设计和安排，只有悠然随性的心情。
将咫尺和天涯都纳入厨房里，将环球旅行的梦想在此实现。

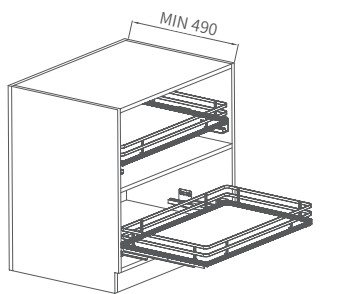
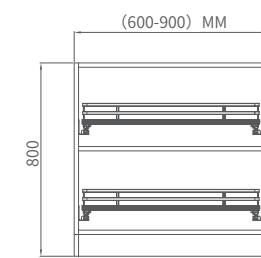
不仅灵活实用，还附带装饰空间的效果，给生活提供了更多的遐想和可变性。





WHILE ENJOYING THE FAST PACE OF LIFE, YOU ALSO NEED TO EXPERIENCE AN ELEGANCE AND TASTE A TEMPERAMENT.

在享受生活快节奏的同时，也需要体会一份优雅，品味一种气质。



| ITEM 型号 | DESCRIPTION 产品描述 | SPECIFICATION (MM) 产品规格 深 x 宽 x 高 (MM) | CABINET WIDTH (MM) 橱柜宽度 (MM) | INSIDE WIDTH OF CABINET (MM) 橱柜内宽度 (MM) |
|------------|--------------------------|---|---------------------------------|--|
| B8160M2 | 600 柜平飞篮 Pull-out basket | D485xW564xH130 | 600 | 564 |
| B8170M2 | 700 柜平飞篮 Pull-out basket | D485xW664xH130 | 700 | 664 |
| B8180M2 | 800 柜平飞篮 Pull-out basket | D485xW764xH130 | 800 | 764 |
| B8190M2 | 900 柜平飞篮 Pull-out basket | D485xW864xH130 | 900 | 864 |

升降机

ELEVATOR BASKET

PROVIDE THE PERFECT WAY TO ORGANIZE YOUR ITEMS AND MAKE THE KITCHEN REVEAL AN ELEGANT TEMPERAMENT.

为物品提供完美的收纳方式，使厨房透出一份优雅的气质。



GRACE
PRACTICAL

优雅 / 实用





BALANCED

平衡

GET ORGANIZED, SAY GOODBYE
TO MESSY, SCIENTIFICALLY
RATIONAL DESIGN.
井井有条，告别凌乱，科学合理的设计。

THE COMBINATION OF ELEGANCE
AND PRAGMATISM, AND THE EXQUISITE
DESIGN THAT TOUCHES THE HEART,
REGARDS STORAGE AS A PHILOSOPHY
THAT TRULY REFLECTS THE MIND.

优雅格调与实用主义的结合，打动人心的精致设计，
将收纳视为真正体现心思的哲学。

LUXURY LIFESTYLE
高品质生活



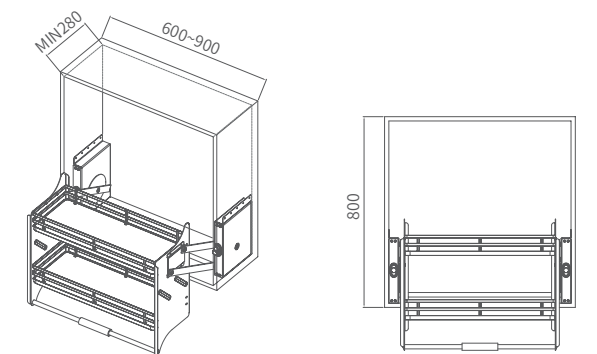


PERFECT SOLUTION TO STORAGE TROUBLES, ALL DESIGNED TO MAKE LIFE MORE TEXTURED.

完美解决收纳烦恼，一切旨在让生活更具质感。



可根据实际承载重量，按下左边或右边按钮，调节承重力的大小。



| ITEM 型号 | DESCRIPTION 产品描述 | SPECIFICATION (MM) 产品规格 深 x 宽 x 高 (MM) | CABINET WIDTH (MM) 橱柜宽度 (MM) | INSIDE WIDTH OF CABINET (MM) 橱柜内宽度 (MM) |
|---------|---------------------|--|------------------------------|---|
| A221M2 | 升降机 Elevator basket | D280xW564xH550 | 600 | 564 |
| A222M2 | 升降机 Elevator basket | D280xW664xH550 | 700 | 664 |
| A223M2 | 升降机 Elevator basket | D280xW764xH550 | 800 | 764 |
| A224M2 | 升降机 Elevator basket | D280xW864xH550 | 900 | 864 |

火车头滑轨，推拉平滑顺畅。多层存储，容量超乎想象。



地柜联动拉篮

PULL-OUT BASKET

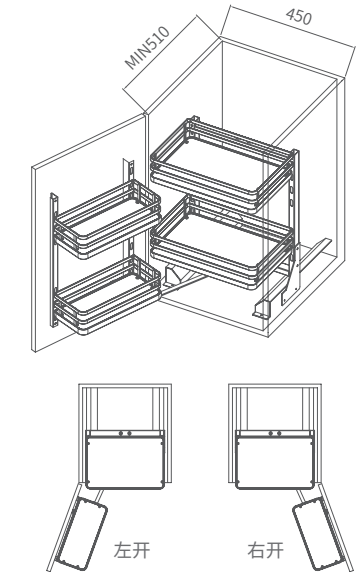
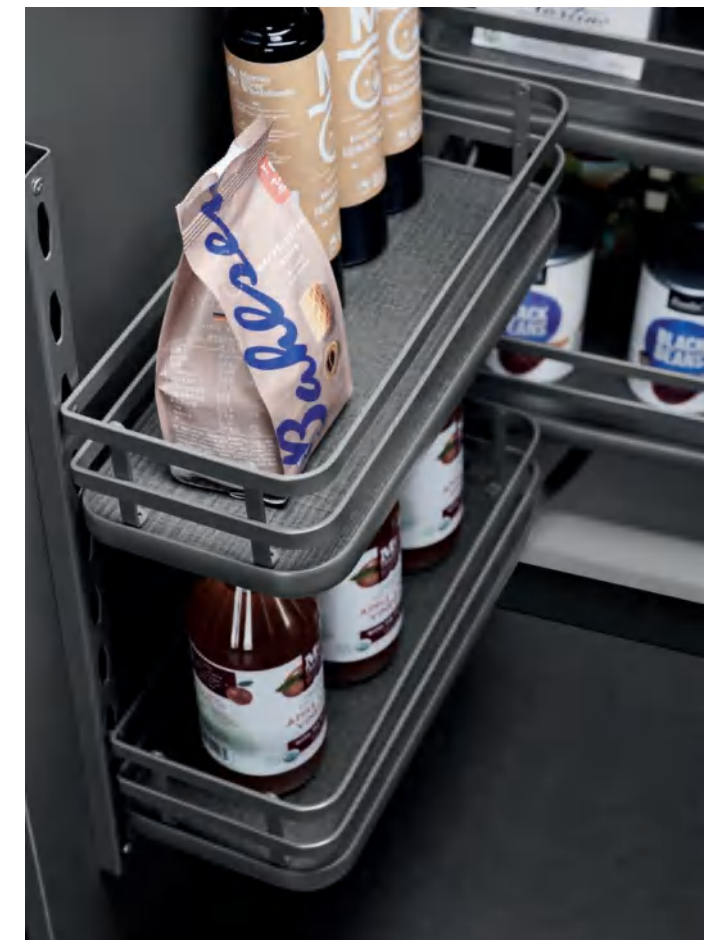
THE LOCOMOTIVE SLIDE RAIL, PUSH AND PULL SMOOTHLY AND SMOOTHLY. MULTI-LAYER STORAGE, THE CAPACITY IS BEYOND IMAGINATION.





IT IS VERY SUITABLE FOR THE SPACE TEMPERAMENT, LIGHT AND MODERN, FREEING UP MORE SPACE.

和空间气质十分契合，轻盈又现代，释放更多空间。



| ITEM 型号 | DESCRIPTION 产品描述 | SPECIFICATION (MM) 产品规格 深 x 宽 x 高 (MM) | CABINET WIDTH (MM) 橱柜宽度 (MM) | INSIDE WIDTH OF CABINET (MM) 橱柜内宽度 (MM) |
|------------|------------------------|---|---------------------------------|--|
| A620M2 | 地柜联动拉篮 Pull-out basket | D500xW380xH560 | 450 | 414 |

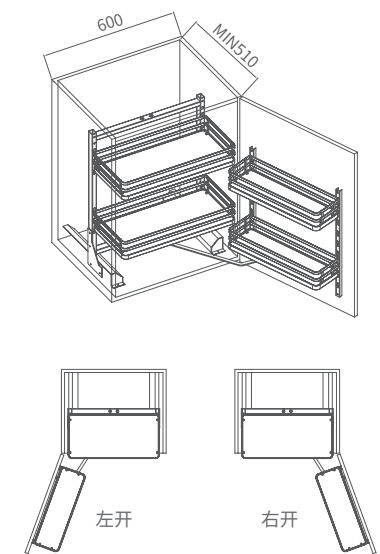


FINDING A BALANCE AND FUN BETWEEN CIRCULATION AND ETERNITY IS TO ENJOY THE CURRENT ATTITUDE TOWARDS LIFE.
 在流转与永恒之间寻找一种平衡与乐趣，便是享受当下的生活态度。





THE PREMIUM MATERIAL COMBINATION
BUILDS WARM HOME
高级的材质搭配，营造出家的温馨



| ITEM 型号 | DESCRIPTION 产品描述 | SPECIFICATION (MM) 产品规格 深 x 宽 x 高 (MM) | CABINET WIDTH (MM) 橱柜宽度 (MM) | INSIDE WIDTH OF CABINET (MM) 橱柜内宽度 (MM) |
|------------|------------------------|---|---------------------------------|--|
| A670AM2 | 地柜联动拉篮 Pull-out basket | D500xW520xH560 | 600 | 564 |



转盘篮

SWIVEL BASKET

THE COMBINATION OF DEEP SHADE AND LIGHT SHADE
IN DIFFERENCE MAKES THE BEAUTY OF HIERARCHY.

深入浅出的色调差异，碰撞出丰富的层次美



WARM
STYLE

温馨 / 格调





COMPLETE

完整

SIMPLE AND PURE COLORS,
COMFORTABLE AND WARM
WITHOUT LOSING STYLE.
简致纯粹的颜色，舒适温馨而不失格调。

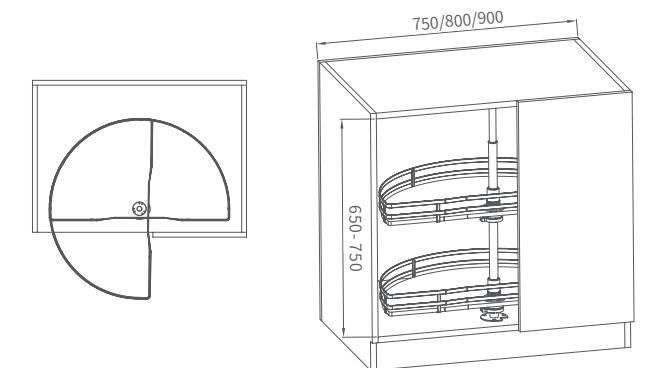
THE SPACE RENDERING IS VERY FLEXIBLE,
CONTAINS INFINITE POSSIBLE CHARM,
AND IS EXTREMELY ARTISTIC. IT IS
SUITABLE FOR FAMILIES WHO ADVOCATE
INDIVIDUALITY AND PURSUE QUALITY.

空间渲染的十分灵动，蕴含无限可能的魅力，
艺术性极强，适用于崇尚个性、追求品质的家庭。

SMART CHARM
灵动魅力



WHILE CONVENIENT FOR USE AND STORAGE, THE VISUAL EFFECT IS CLEANER AND ENHANCES THE TEXTURE OF THE SPACE.
方便使用和收纳的同时，视觉效果更加干净，增强了空间的质感。

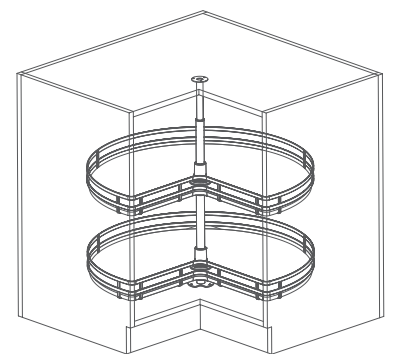
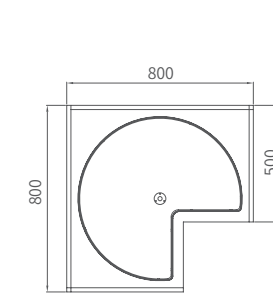


| ITEM 型号 | DESCRIPTION 产品描述 | SPECIFICATION (MM) 产品规格 深 x 宽 x 高 (MM) | CABINET WIDTH (MM) 橱柜宽度 (MM) | INSIDE WIDTH OF CABINET (MM) 橱柜内宽度 (MM) |
|---------|-----------------------------|--|------------------------------|---|
| D221M2 | 180° 转盘篮 180° swivel basket | D383xW675xH(600-750) | 750 | 714 |
| D211M2 | 180° 转盘篮 180° swivel basket | D415xW740xH(600-750) | 800 | 764 |
| D210M2 | 180° 转盘篮 180° swivel basket | D465xW840xH(600-750) | 900 | 864 |



EASY TO CLEAN AND MAINTAIN,
WHILE PRACTICAL, IT ADDS DYNAMIC
TO THE SPACE AGAIN.

容易清洁打理，实用的同时再次为空间增添动感。



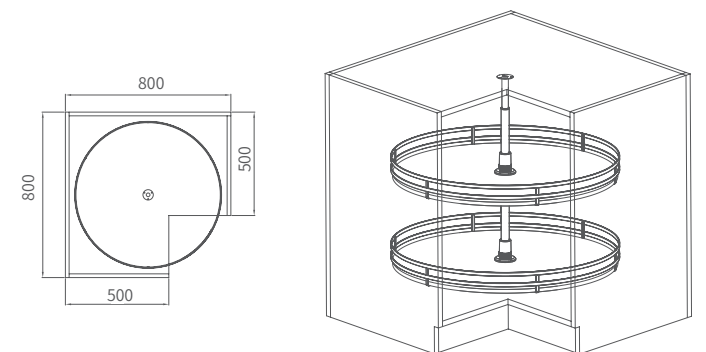
| ITEM 型号 | DESCRIPTION 产品描述 | SPECIFICATION (MM) 产品规格 深 x 宽 x 高 (MM) | CABINET WIDTH (MM) 橱柜宽度 (MM) | INSIDE WIDTH OF CABINET (MM) 橱柜内宽度 (MM) |
|------------|-----------------------------|---|---------------------------------|--|
| D311M2 | 270° 转盘篮 270° swivel basket | Φ710xH(600-750) | 800x800 | 764 |





THE LARGE OPERATING SPACE MAKES THE TABLEWARE STORAGE GET THE BEST SPACE EXPERIENCE.

超大操作空间，使餐具收纳得到最佳的空间体验。



| ITEM 型号 | DESCRIPTION 产品描述 | SPECIFICATION (MM) 产品规格 深 x 宽 x 高 (MM) | CABINET WIDTH (MM) 橱柜宽度 (MM) | INSIDE WIDTH OF CABINET (MM) 橱柜内宽度 (MM) |
|------------|-----------------------------|---|---------------------------------|--|
| D415M2 | 360° 转盘篮 360° swivel basket | Φ710xH(600-750) | 800x800 | 764 |

侧式拉篮

SIDE PULL-OUT BASKET

CLASSIFIED STORAGE, EASY ACCESS. GIVE MORE CABINET SPACE AND MAKE THE KITCHEN MORE TIDY AND COMFORTABLE.

分类收纳，存取方便。给橱柜空间更多可能，让厨房更整洁舒适。





STORAGE

收纳

THE UTILIZATION OF SPACE HAS BEEN GREATLY IMPROVED, PARTITIONED STORAGE, AND MODERN ELEMENTS ARE FULLY REFLECTED.

空间的活力度大幅提升，分区收纳，现代元素的充分体现。

NO HYGIENIC DEAD CORNERS ARE LEFT, AND IT IS ORGANIZED TO GIVE PEOPLE A CLEAN AND PURE FEELING. INCREASE THE SPACE FOR STORAGE AND INCREASE THE AGILITY OF THE SPACE.

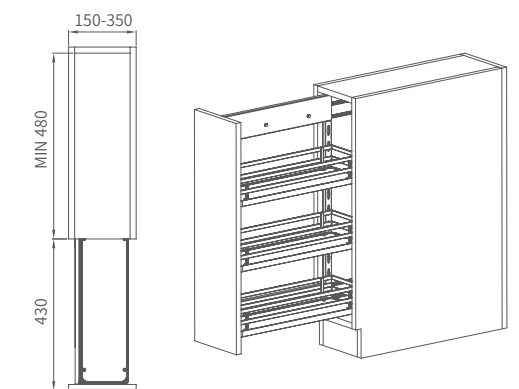
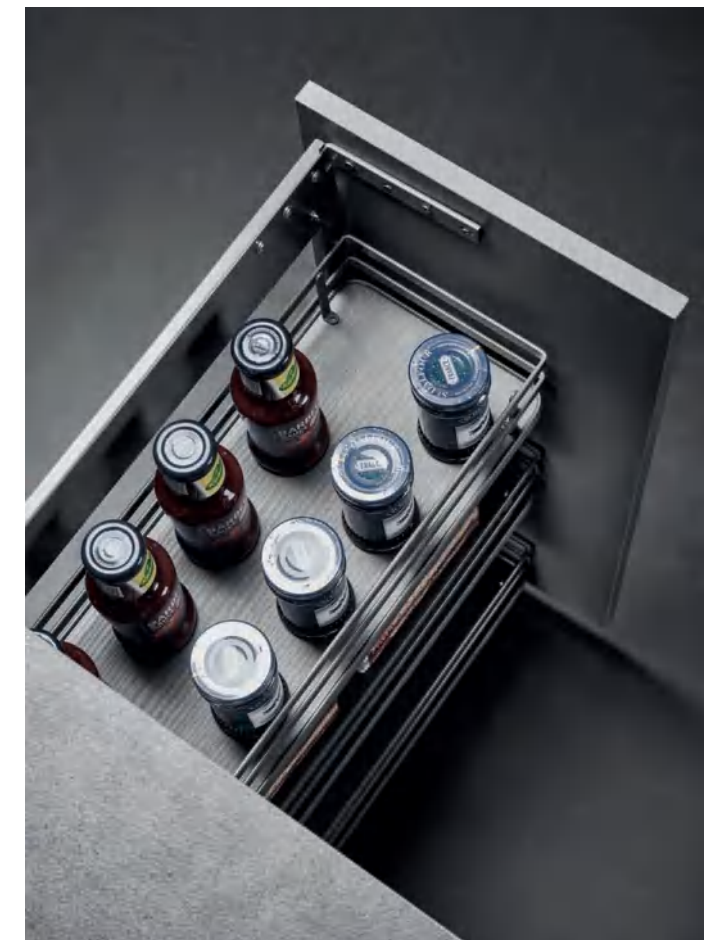
不留卫生死角，井井有条给人干净、纯粹的感受。增加置物、收纳的空间，增加空间的灵动感。

PURE FEELING
纯粹的感觉



IT IS HOPED THAT THE ATTITUDE OF LIFE WILL BE INTEGRATED INTO THE LIVING ENVIRONMENT, AND MORE POSSIBILITIES OF SPACE WILL BE DERIVED.

希望将生活态度融入到居住环境中，衍生出空间更多的可能性。

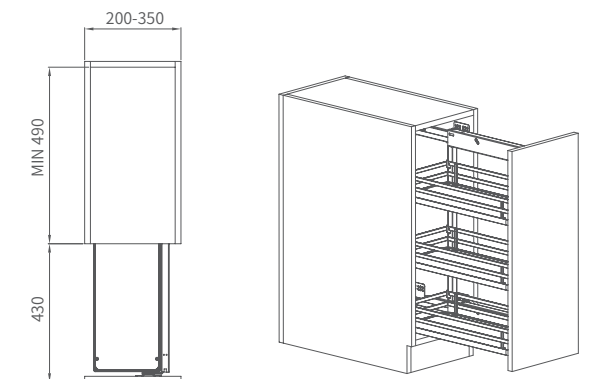


| ITEM 型号 | DESCRIPTION 产品描述 | SPECIFICATION (MM) 产品规格 深 x 宽 x 高 (MM) | CABINET WIDTH (MM) 橱柜宽度 (MM) | INSIDE WIDTH OF CABINET (MM) 橱柜内宽度 (MM) |
|------------|---------------------------|---|---------------------------------|--|
| E515M2 | 侧式拉篮 Side pull-out basket | D470xW110xH657 | 160 | 124 |
| E520M2 | 侧式拉篮 Side pull-out basket | D470xW155xH657 | 200 | 164 |
| E525M2 | 侧式拉篮 Side pull-out basket | D470xW205xH657 | 250 | 214 |
| E530M2 | 侧式拉篮 Side pull-out basket | D470xW255xH657 | 300 | 264 |
| E535M2 | 侧式拉篮 Side pull-out basket | D470xW305xH657 | 350 | 314 |



EXPRESS THE ATTITUDE OF LIFE, ABANDON THE TRADITIONAL SOLIDIFIED STYLE, THE COLOR IS UNIFIED AND HARMONIOUS, QUIET AND NATURAL.

表达生活态度，摒弃传统固化风格，色彩统一和谐，安静自然。



| ITEM 型号 | DESCRIPTION 产品描述 | SPECIFICATION (MM) 产品规格 深 x 宽 x 高 (MM) | CABINET WIDTH (MM) 橱柜宽度 (MM) | INSIDE WIDTH OF CABINET (MM) 橱柜内宽度 (MM) |
|---------|--------------------------------|--|------------------------------|---|
| E420M2 | 隐藏式阻尼侧式拉篮 Side pull-out basket | D485xW155xH620 | 200 | 164 |
| E425M2 | 隐藏式阻尼侧式拉篮 Side pull-out basket | D485xW205xH620 | 250 | 214 |
| E430M2 | 隐藏式阻尼侧式拉篮 Side pull-out basket | D485xW255xH620 | 300 | 264 |
| E435M2 | 隐藏式阻尼侧式拉篮 Side pull-out basket | D485xW305xH620 | 350 | 314 |

* 出厂默认为右边滑轨安装，可以订制左边滑轨

KITCHEN HARDWARE EFFICIENT STORAGE SOLUTION
厨房五金高效收纳专家

