



HIGH QUALITY & INNOVATION

CHROME WIRE COLLECTION  
EUROPEAN LINE



TEL : 0086-20-22869230 34619234  
FAX : 0086-20-34619235  
[http : //www.welldohardware.com](http://www.welldohardware.com)

E-mail : [welldo11@welldohardware.com](mailto:welldo11@welldohardware.com)  
[welldo66@welldohardware.com](mailto:welldo66@welldohardware.com)  
ADD : Caohe Industrial Area, Panyu, Guangzhou, China.  
PC : 511486

· I N N O V A T I O N ·

# W E L D O

CHARACTERS

“

Innovation is one of the major characters of Welldo.

We have strong R & D team for  
new solutions of kitchen storage need  
by applications of new materials and designs.

”

**WELDO · KITCHEN STORAGE**

## **HIGH QUALITY WELL DESIGNED AND GOOD FUNCTIONS**

**Italian stylist found his inspiration from silver ornament**

After 25 years of manufacturing wire

kitchen closet organizers,

Weldo have developed very mature product lines

for both Europe and Asian/African markets,

which is made by well-chrome-plated iron wire

or Stainless steel wire, providing high quality and

good functions in usage.

Meanwhile Weldo offers customized service to all

clients by its professional knowledge in this field.

Every year there are many new designed

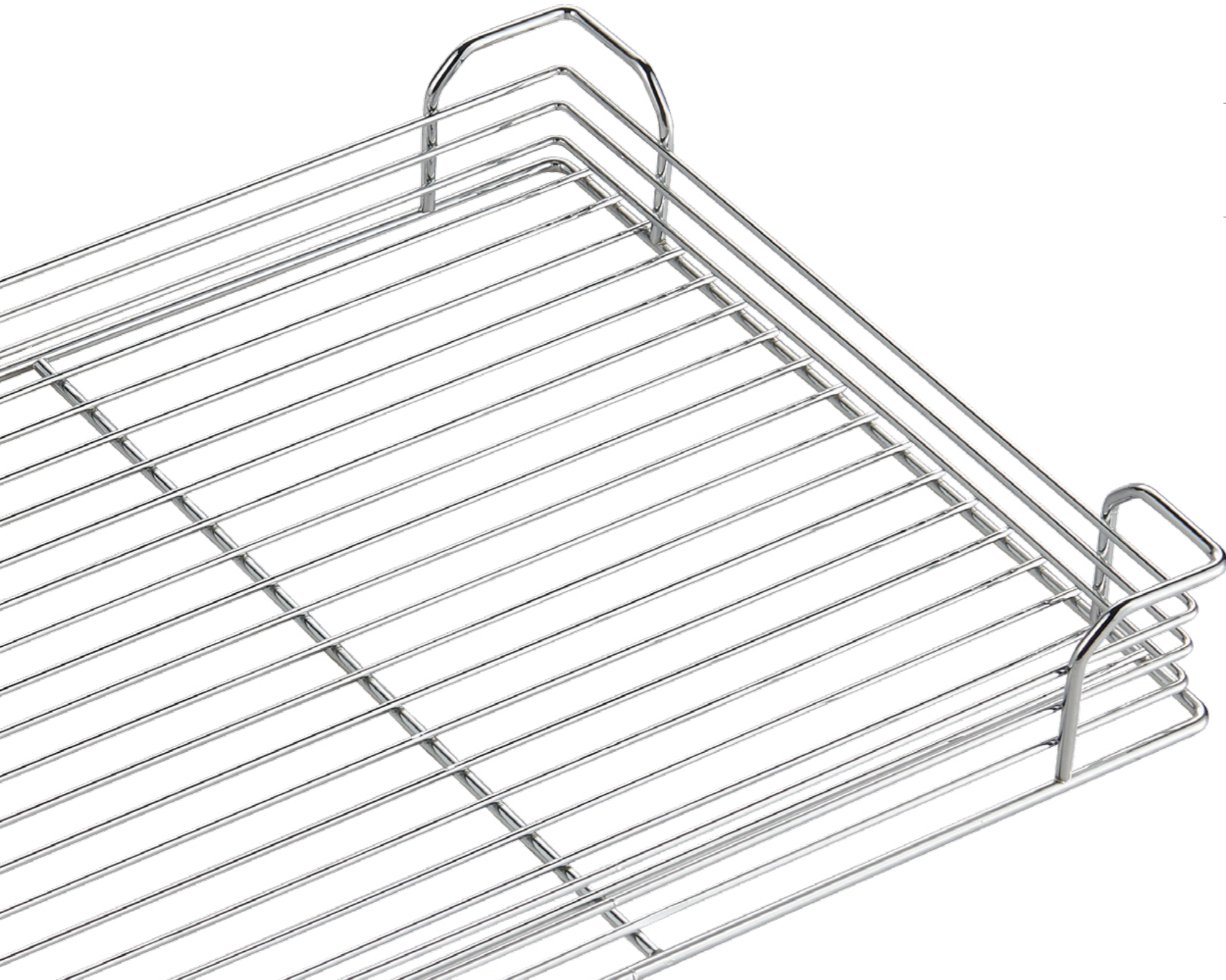
products are created and supplied to the market

by Weldo's R&D team.

**WATER-PROOFING**

**RUST-PROOFING**

**MODULAR SYSTEM**



EUROPEAN LINE



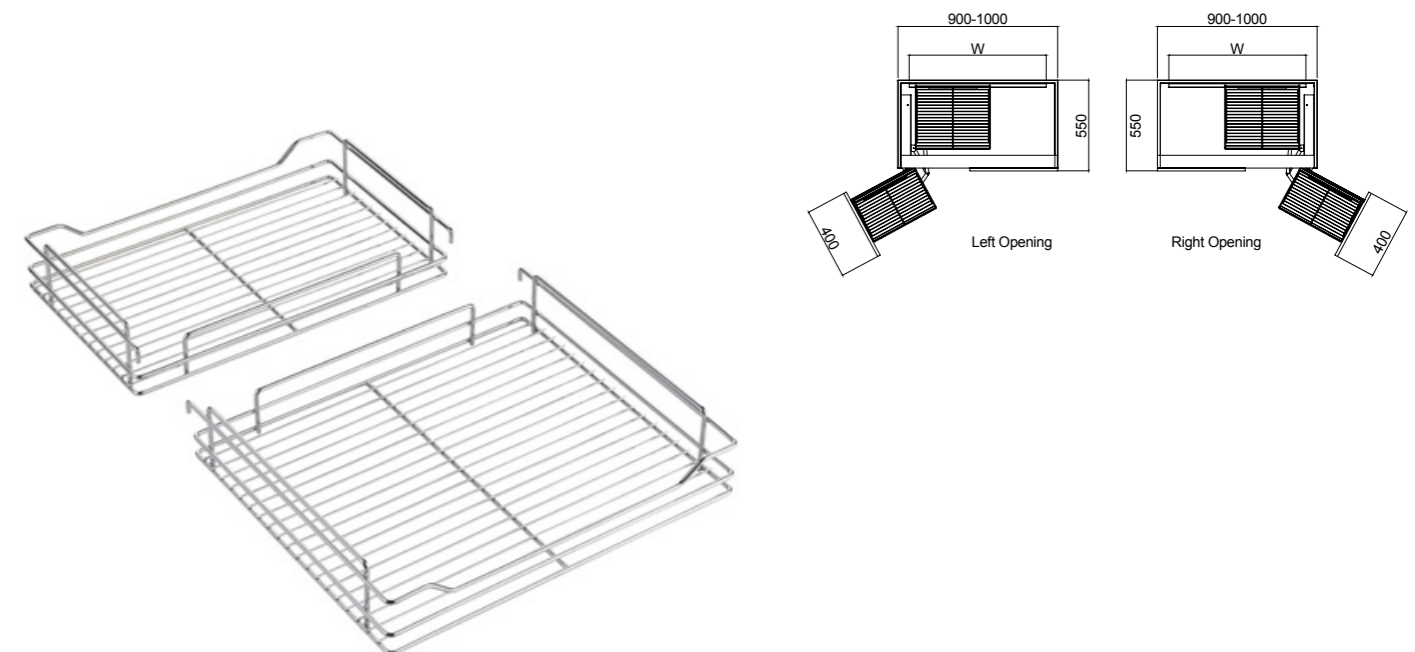


Scientific and reasonable zoning.



## Magic corner (Without left and right difference)

Item No.	DxWxH (mm)	Cabinet(mm)
A541	500x (864-964) x530	900-1000



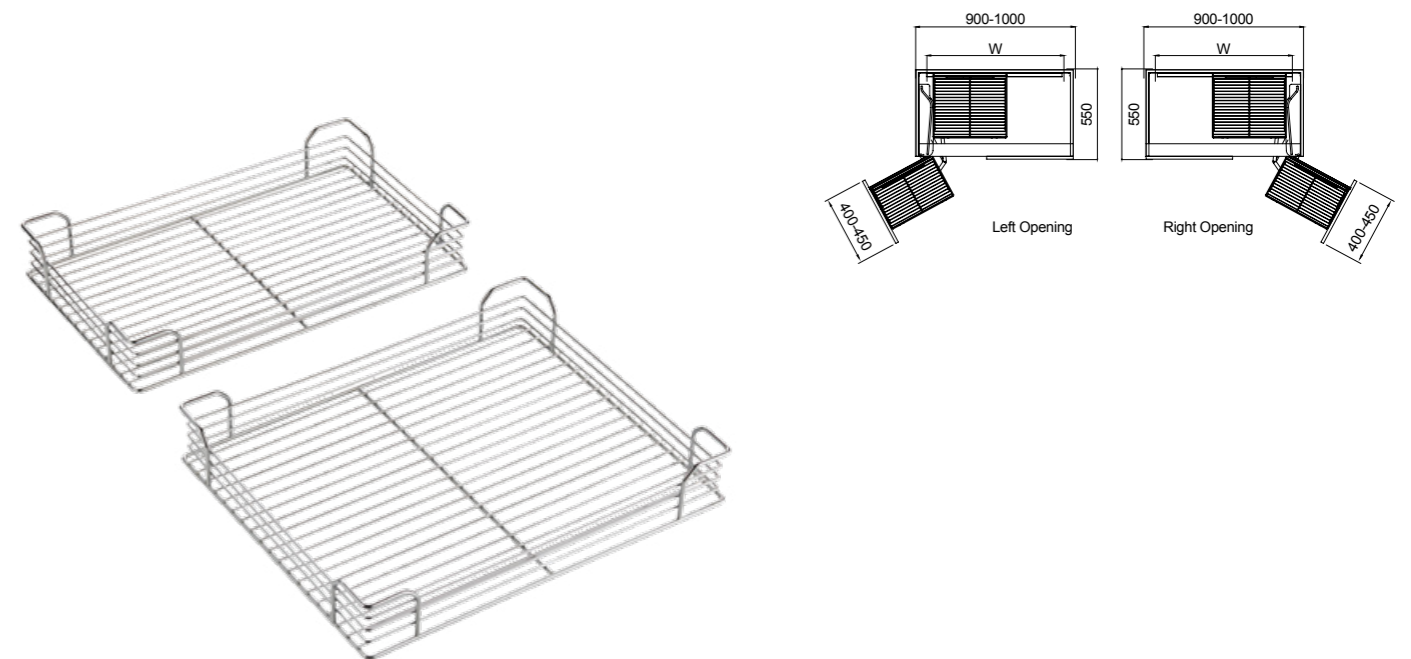


Scientific and reasonable zoning.



## Magic corner (left and right)

Item No.	DxWxH (mm)	Cabinet(mm)
A561 (left)	500x (864-964) x525	900-1000
A562 (right)	500x (864-964) x525	900-1000



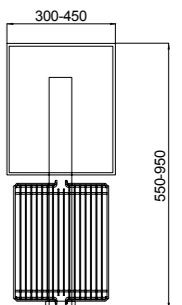


Scientific and reasonable zoning.



### 3-shelf Drawer basket

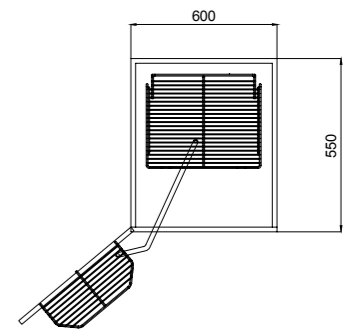
Item No.	DxWxH (mm)	Cabinet(mm)
A131	460X250X(630-750)	300
A132	460X350X(630-750)	400
A133	460X400X(630-750)	450





# Pull-out basket

Scientific and reasonable zoning



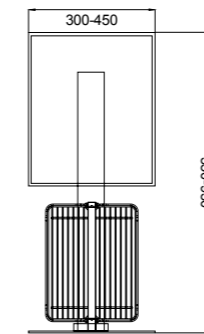
Item No.	DxWxH (mm)	Cabinet(mm)
A620	500X385X560	450
A670A	500X530X560	600



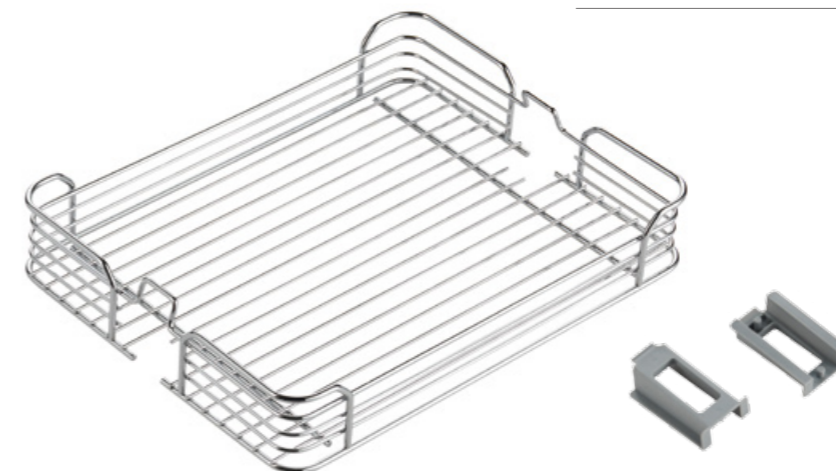
Scientific and reasonable zoning.



## Tall larder Pull-out (4-6 shelf )



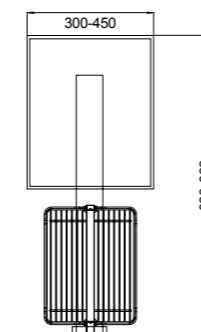
Item No.	DxWxH (mm)	Cabinet(mm)
A341A (4-shelf )	460X250X(1150-1350)	300
A341B (4-shelf )	460X350X(1150-1350)	400
A351A (5-shelf )	460X250X(1500-1800)	300
A351B (5-shelf )	460X350X(1500-1800)	400
A361A (6-shelf )	460X250X(1700-2000)	300
A361B (6-shelf )	460X350X(1700-2000)	400
A362A1 (6-shelf )	460X200X(1850-2200)	250
A362A (6-shelf )	460X250X(1850-2200)	300
A362B (6-shelf )	460X350X(1850-2200)	400
A362C (6-shelf )	460X400X(1850-2200)	450



Scientific and reasonable zoning.



## Tall larder Pull-out (4-6 shelf )

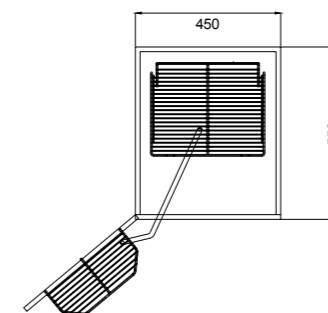
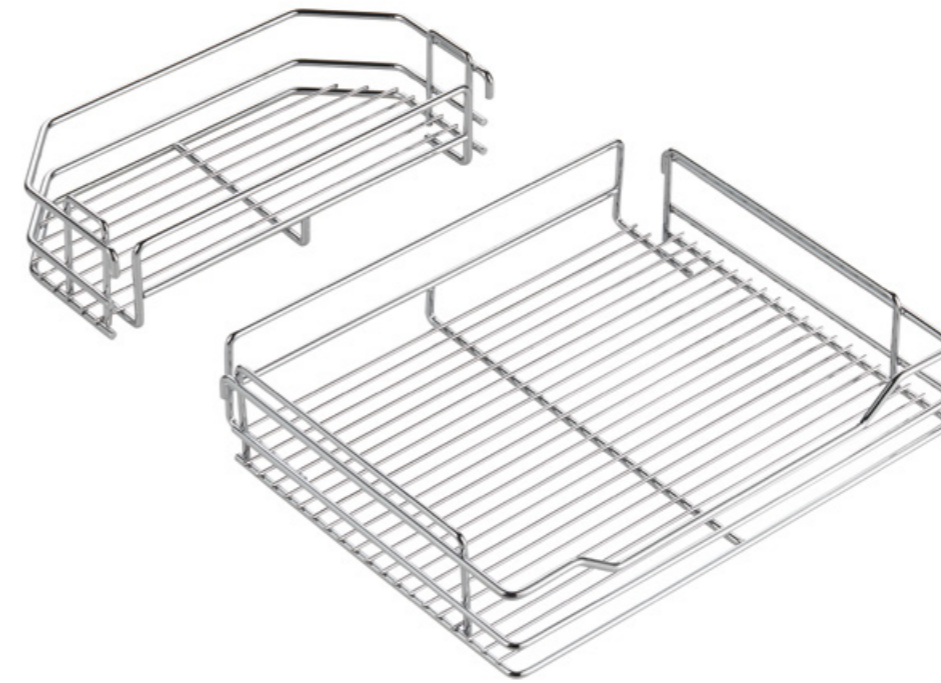


Item No.	DxWxH ( mm )	Cabinet(mm)
A341A (4-shelf )	460X250X(1150-1350)	300
A341B (4-shelf )	460X350X(1150-1350)	400
A351A (5-shelf )	460X250X(1500-1800)	300
A351B (5-shelf )	460X350X(1500-1800)	400
A361A (6-shelf )	460X250X(1700-2000)	300
A361B (6-shelf )	460X350X(1700-2000)	400
A362A1 (6-shelf )	460X200X(1850-2200)	250
A362A (6-shelf )	460X250X(1850-2200)	300
A362B (6-shelf )	460X350X(1850-2200)	400



# Pantry depot (4-6 shelf )

Scientific and reasonable zoning

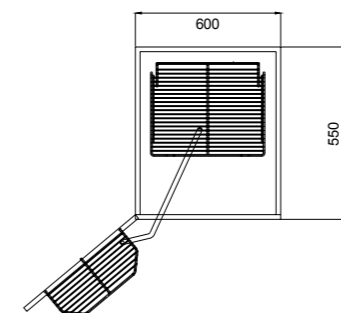
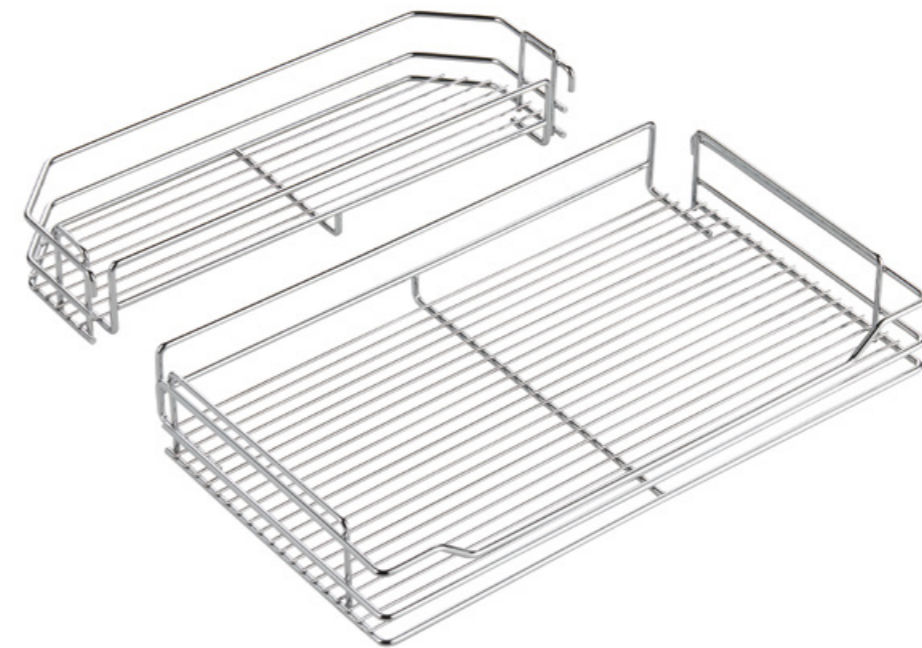
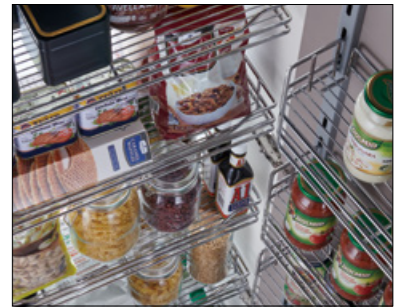


Item No.	DxWxH (mm)	Cabinet(mm)
A661-01 (6-shelf )	500x385x(1850-2250)	450
A662-01 (6-shelf )	500x385x(1650-1950)	450
A651-01 (5-shelf )	500x385x(1350-1550)	450
A652-01 (4-shelf )	500x385x(1150-1350)	450



# Pantry depot (3-6 shelf )

Scientific and reasonable zoning

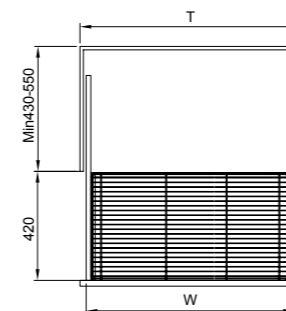


Item No.	DxWxH (mm)	Cabinet(mm)
A670 (3-shelf )	500x530x(700-1000)	600
A671 (4-shelf )	500x530x(1150-1350)	600
A672 (5-shelf )	500x530x(1350-1650)	600
A673 (6-shelf )	500x530x(1650-1950)	600
A674 (6-shelf )	500x530x(1850-2250)	600

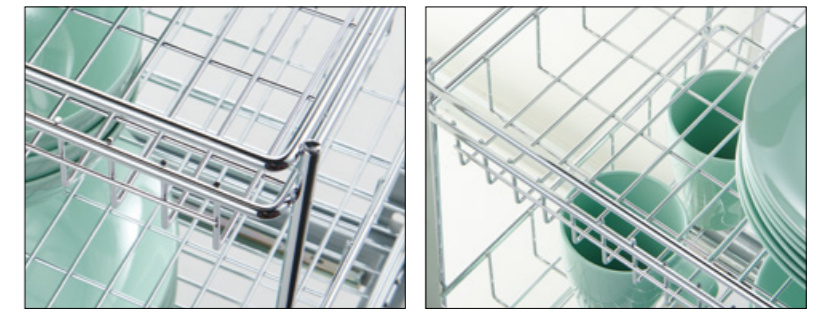


# Pull-out basket

Scientific and reasonable zoning

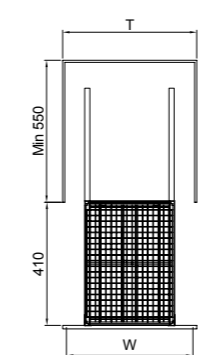


Item No.	DxWxH (mm)	Cabinet(mm)
B124B	430X364X140	400
B128B	430X414X140	450
B1214B	430X464X140	500
B1218B	430X564X140	600
B1220B	430X664X140	700
B1228B	430X764X140	800
B1230B	430X864X140	900



# Multipurpose drawer basket

Scientific and reasonable zoning



Item No.	DxWxH (mm)	Cabinet(mm)
C131	477X96X505	150
C132	477X146X505	200
C133	477X246X505	300
C134	477X346X505	400
C135	477X396X505	450
C136	477X446X505	500

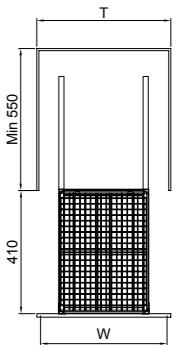


Scientific and reasonable zoning.



## 2-shelf drawer basket

Item No.	DxWxH (mm)	Cabinet(mm)
C141	477X96X505	150
C142	477X146X505	200
C143	477X246X505	300
C144	477X346X505	400
C145	477X396X505	450
C146	477X446X505	500



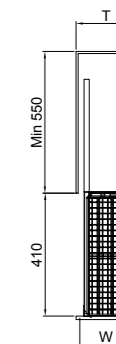


Scientific and reasonable zoning.



## 2-shelf drawer basket

Item No.	DxWxH (mm)	Cabinet(mm)
C142-01	477X146X505	200





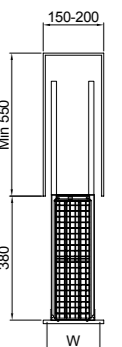


Scientific and reasonable zoning.



## 2-shelf drawer basket

Item No.	DxWxH (mm)	Cabinet(mm)
C149	497X102X525	150
C1410	437X102X525	150
C1411	437X146X525	200
C1412	497X146X525	200



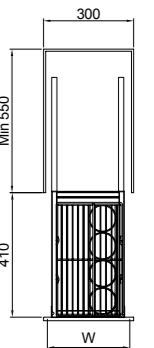


Scientific and reasonable zoning.



## Multipurpose drawer basket

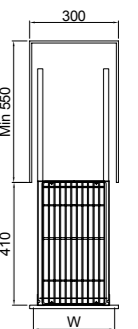
Item No.	DxWxH (mm)	Cabinet(mm)
C117	440X255X525	300





# Multipurpose drawer basket

Scientific and reasonable zoning

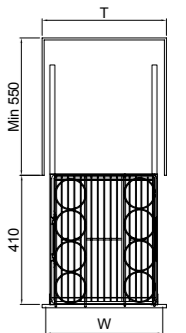


Item No.	DxWxH (mm)	Cabinet(mm)
C1518	450x230x500	300



# Multipurpose drawer basket

Scientific and reasonable zoning

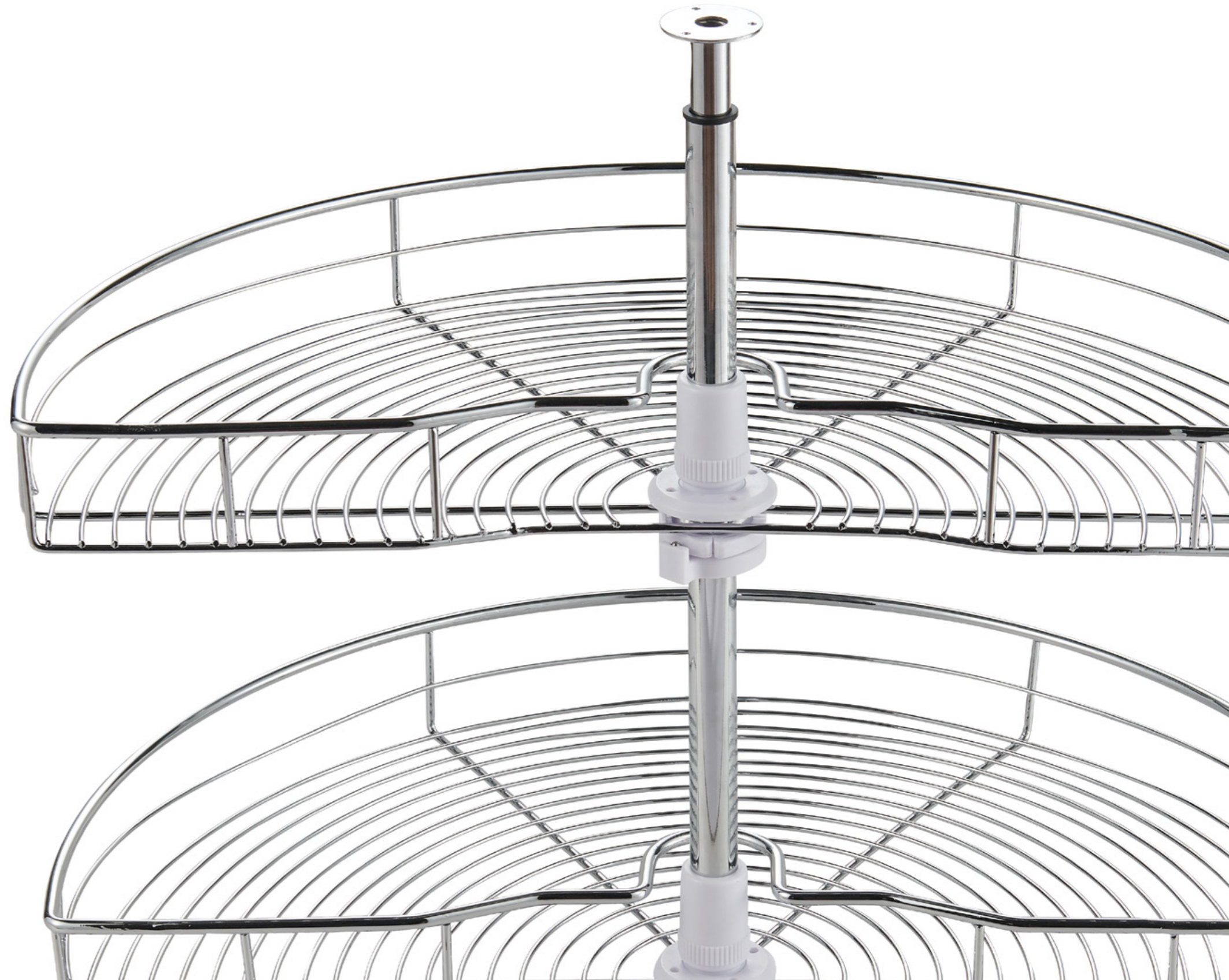


Item No.	DxWxH (mm)	Cabinet(mm)
C1110	450x356x532	400



## **Break through**

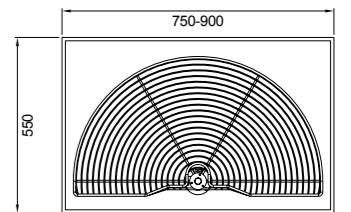
the conventional fixed  
storage pattern





# 180° swivel basket

Scientific and reasonable zoning

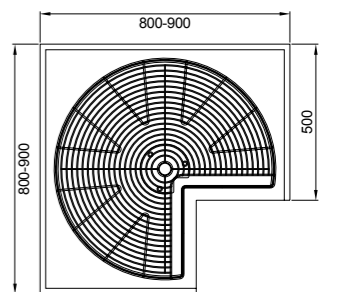
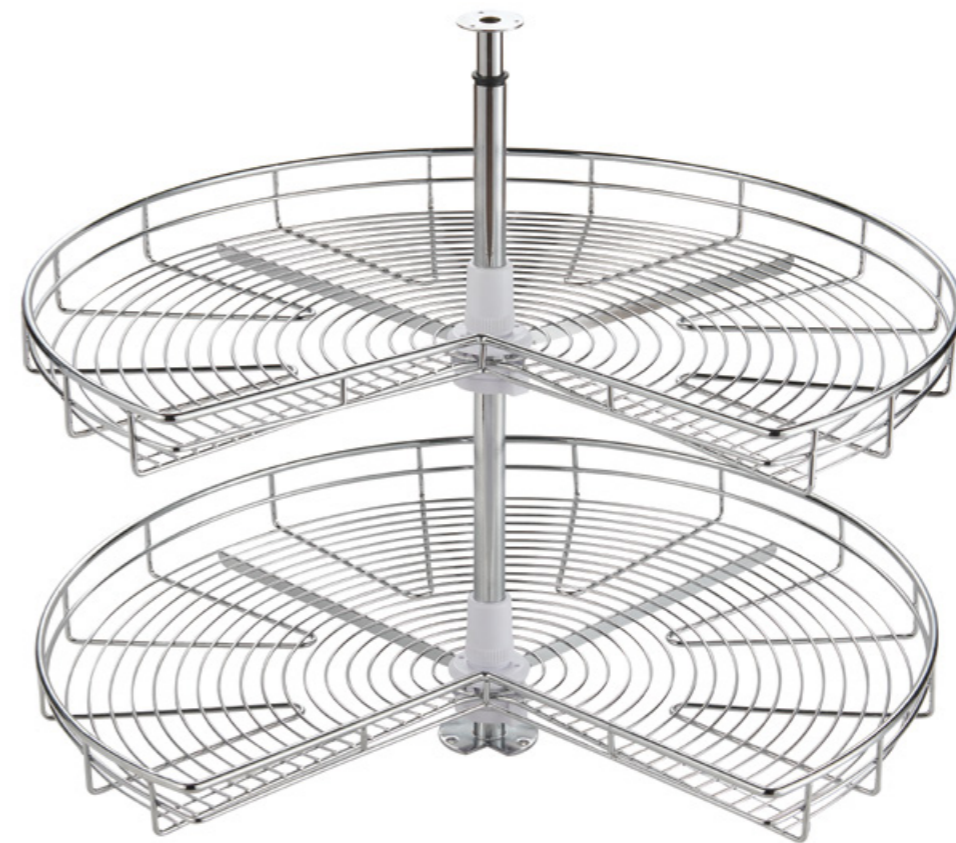


Item No.	DxWxH (mm)	Cabinet(mm)
D211-01	400x700x(600-750)	750
D211-02	415x740x(600-750)	800
D211-03	447x820x(600-750)	900



# 270° swivel basket

Scientific and reasonable zoning



Item No.	φxH (mm)	Cabinet(mm)
D311	φ710x (600-750)	800x800
D311-01	φ820x (600-750)	900x900

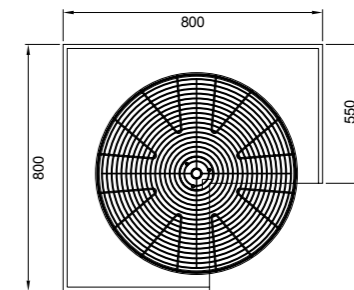


Scientific and reasonable zoning.



## Round swivel basket

Item No.	DxWxH (mm)	Cabinet(mm)
D411	φ 410x (600-750)	450
D412	φ 440x (600-750)	500
D413	φ 460x (600-750)	550
D413-02	φ 510x (600-750)	600
D413-01	φ 540x (600-750)	650
D414	φ 610x (600-750)	700
D415	φ 710x (600-750)	800
D417	φ 820x (600-750)	900





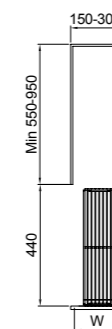


Scientific and reasonable zoning.



## Side pull-out basket

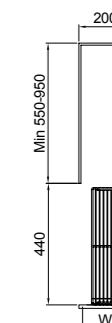
Item No.	DxWxH (mm)	Cabinet(mm)
E121	485x105x566	150
E122	485x155x566	200
E123	485x205x566	250
E124	485x255x566	300
E1218	485x140x566	180
E1226	485x220x566	260





# Side pull-out basket

Scientific and reasonable zoning

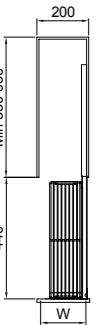


Item No.	DxWxH (mm)	Cabinet(mm)
E131	485x105x566	150
E132	485x155x566	200
E133	485x205x566	250
E134	485x255x566	300
E1318	485x140x566	180
E1326	485x220x566	260



# Side pull-out basket

Scientific and reasonable zoning



Item No.	DxWxH (mm)	Cabinet(mm)
E515A	470x100x657	150
E515	470x110x657	160
E520	470x155x657	200
E525	470x205x657	250
E530	470x255x657	300
E535	470x305x657	350



**Break through**  
the conventional fixed  
storage pattern



**Hook**

Item No.	LxWxH (mm)
F151	400x35x66



**Lid holder**

Item No.	LxWxH (mm)
F232	210x110x370



**Spoon box**

Item No.	LxWxH (mm)
F311	150x140x182



**Stainless steel cup holder**

Item No.	LxWxH (mm)
F313	160x115x250



**Cup stand**

Item No.	LxWxH (mm)
F361	240x100x335



**Paper holder**

Item No.	LxWxH (mm)
F411	260x150x245
F411-01	298x170x250



**Double small spice rack**

Item No.	LxWxH (mm)
F5113-01	260x150x260



**Small spice rack**

Item No.	LxWxH (mm)
F514	220x150x260



**Spice & paper rack**

Item No.	LxWxH (mm)
F414	400x210x330



**Paper holder**

Item No.	LxWxH (mm)
F418	330x180x120



**Multipurpose rack**

Item No.	LxWxH (mm)
F515	450x190x270



**Small spice rack**

Item No.	LxWxH (mm)
F517	295x175x265



**Triple paper roll holder**

Item No.	LxWxH (mm)
F432	330x160x390



**Spice rack**

Item No.	LxWxH (mm)
F5113	260x150x110



**Double rack**

Item No.	LxWxH (mm)
F521	280x170x430



**Double rack**

Item No.	LxWxH (mm)
F5213	330x224x370



**Double spice rack**

Item No.	LxWxH (mm)
F5220	330x195x335



**Double spice rack**

Item No.	LxWxH (mm)
F523	348x180x310
F524	348x145x310



**Chopping block & knife holder**

Item No.	LxWxH (mm)
F724	251x174x390



**Dish holder**

Item No.	LxWxH (mm)
F821	305x210x105



**Corner rack**

Item No.	LxWxH (mm)
F611	355x320x290
F616	250x230x230



**Double corner rack**

Item No.	LxWxH (mm)
F621	335x320x440



**Chopsticks & dish holder**

Item No.	LxWxH (mm)
F829	450x250x145



**Dish & spice rack**

Item No.	LxWxH (mm)
F832	470x295x390



**Double corner rack**

Item No.	LxWxH (mm)
F623	265x240x440



**Triple corner rack**

Item No.	LxWxH (mm)
F631	265x240x685



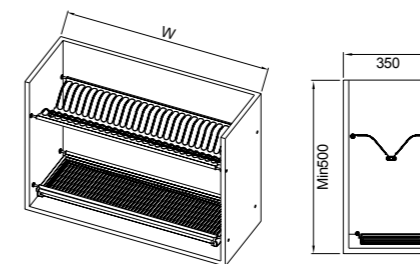
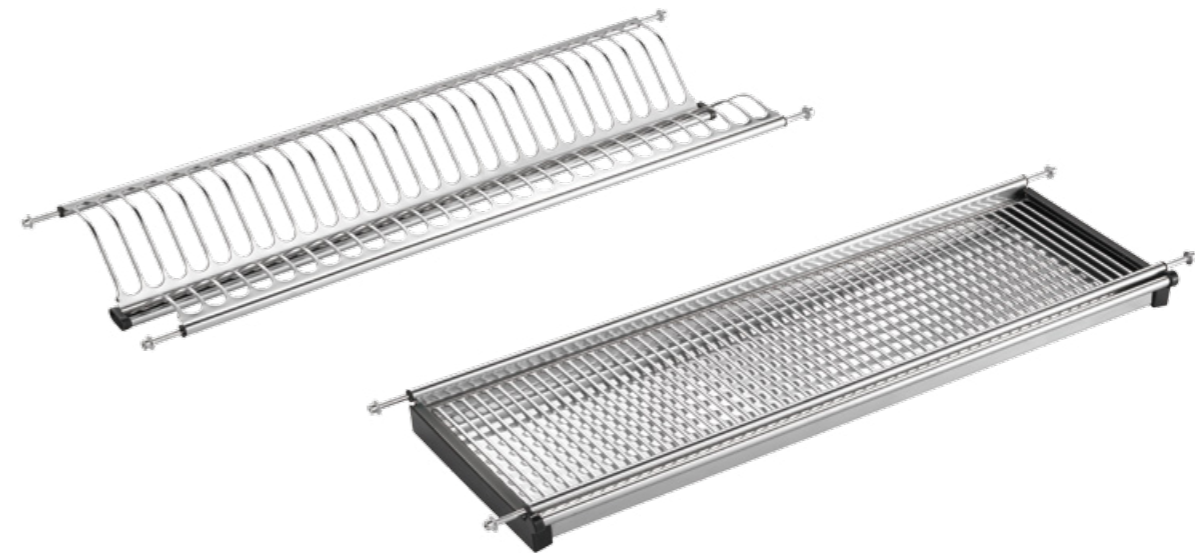
**Dish & spice rack**

Item No.	LxWxH (mm)
F835	640x250x283



# Stainless steel dish holder

European line – wall units



Item No.	LxWxH (mm)	Cabinet(mm)
F8111	364x280x65	400
F8112	414x280x65	450
F8113	464x280x65	500
F8114	564x280x65	600
F8115	664x280x65	700
F8116	764x280x65	800
F8117	864x280x65	900
F8118	964x280x65	1000



## Stainless steel dish holder

Item No.	LxWxH (mm)
F850	455x285x410
F851	555x285x410
F852	655x285x410
F853	755x285x410



### Goblet holder

Item No.	LxWxH (mm)
G311	340x108x65
G311-01	280x108x65



### Double goblet holder

Item No.	LxWxH (mm)
G321	340x210x65
G321-01	280x210x65



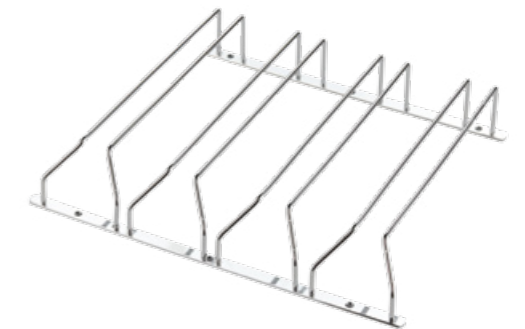
## Coffee cup rack

Item No.	LxWxH (mm)
G381	380x90x46
G381-01	280x90x46



### Triple goblet holder

Item No.	LxWxH (mm)
G331	340x310x65
G331-01	280x310x65



### Multirow goblet holder

Item No.	LxWxH (mm)
G341	340x405x65
G341-01	280x405x65





**End top(upper)**

Item No.	LxWxH (mm)
I01	Φ60xH40



**End top(down)**

Item No.	LxWxH (mm)
I03	Φ60xH40



**Fixing bracket**

Item No.	LxWxH (mm)
I02	465x320x24



**Ceiling light**

Item No.	LxWxH (mm)
I11	Φ300xH45



**Goblet holder**

Item No.	LxWxH (mm)
I31	Φ310xH50



**Goblet holder**

Item No.	LxWxH (mm)
I33	Φ355xH50



**Round shelf**

Item No.	LxWxH (mm)
I35	Φ350xH63



**30° fan stand**

Item No.	LxWxH (mm)
I41	425x350x65



**Revolving round shelf**

Item No.	LxWxH (mm)
I47	400x310x200



**Wine holder**

Item No.	LxWxH (mm)
I51	Φ440xH111



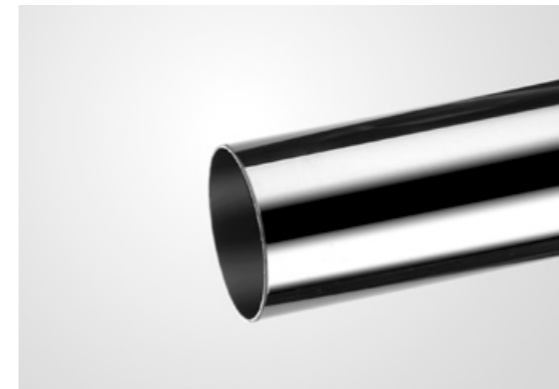
**Round glass shelf**

Item No.	LxWxH (mm)
I42B	Φ360xH60



**Round shelf**

Item No.	LxWxH (mm)
I44	Φ360xH185



**Column**

Item No.	LxWxH (mm)
I61	Φ50×L1200, 1800, 2000



**Revolving round shelf**

Item No.	LxWxH (mm)
I45	425x360x100



**Round shelf**

Item No.	LxWxH (mm)
I46	Φ360xH50



**Double Waste bin 20L**

Item No.	DxWxH (mm)	Cabinet(mm)
J606	498x412x415	450



**Double Waste bin 45L**

Item No.	DxWxH (mm)	Cabinet(mm)
J610	502x565x537	600



**Double Waste bin 34L**

Item No.	DxWxH (mm)	Cabinet(mm)
J609	496x545x540	500



**Stainless steel Waste bin**

Item No.	DxWxH (mm)	Cabinet(mm)
J635	319x295x363	350



## Holder

Item No.	LxWxH (mm)
J211	22x20x50



## Holder cover

Item No.	LxWxH (mm)
J221	Φ18xH20



## Tube

Item No.	LxWxH (mm)
J231	Φ16xL(600-1500)