



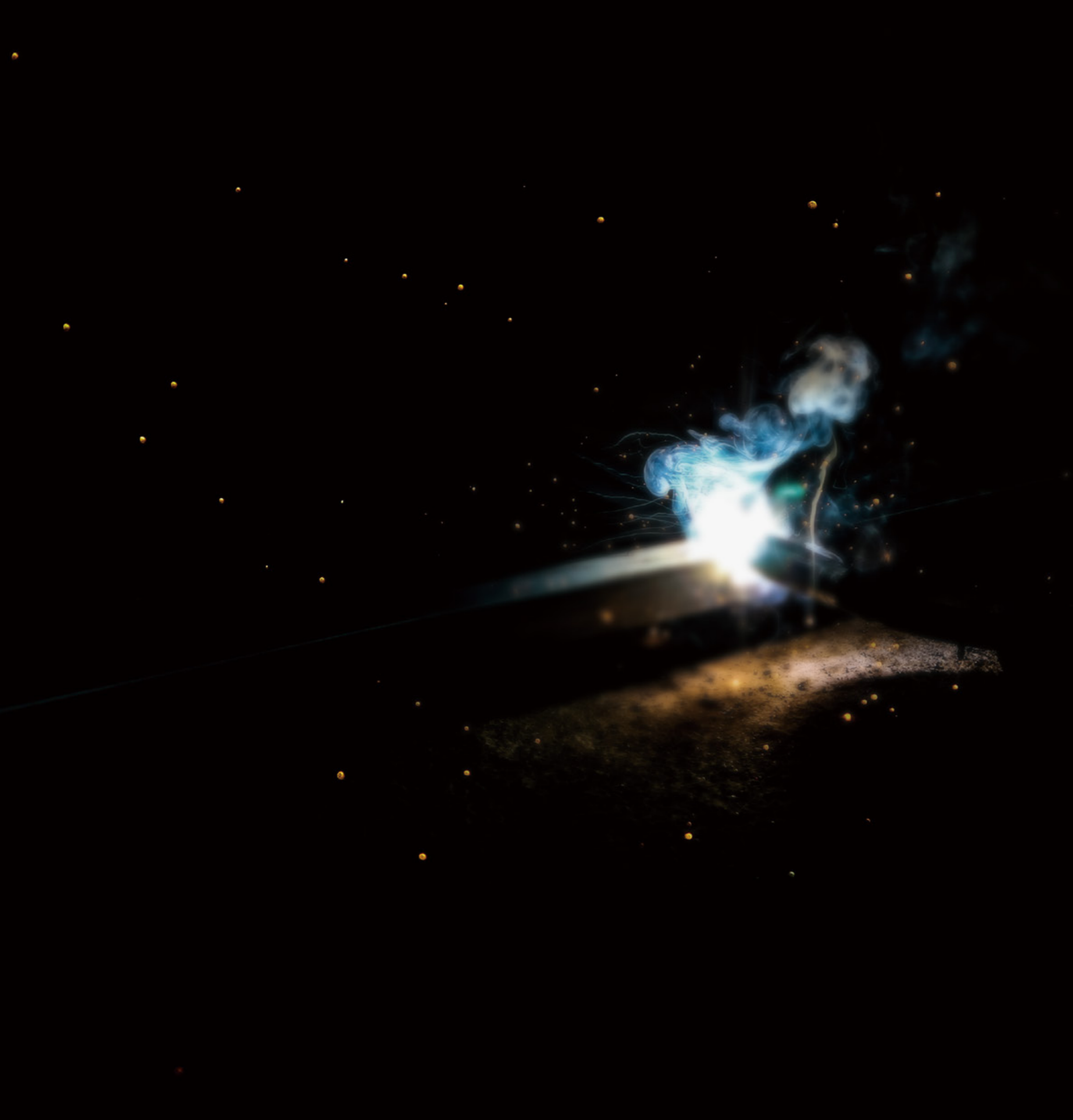
HIGH QUALITY & INNOVATION

ALUMINUM COLLECTION



TEL : 0086-20-22869230 34619234
FAX : 0086-20-34619235
[http : //www.welldohardware.com](http://www.welldohardware.com)

E-mail : welldo11@welldohardware.com
welldo66@welldohardware.com
ADD : Caohe Industrial Area, Panyu, Guangzhou, China.
PC : 511486



W
Characters

Welldo
E

L

D

L

O

INNOVATION

Innovation is one of the major characters of Welldo.
We have strong R & D team for
new solutions of kitchen storage need
by applications of new materials and designs.



A. *Panel can be installed*

The material door panel matching the wardrobe can be installed, so that the product and the wardrobe are integrated.

B. *Texture collocation*

Ingenious material matching shows the low-key elegance.

C. *Removable design*

The overall product structure is embedded in the slide rail, and the installation method is quick and simple.

D. *Freely adjustable width*

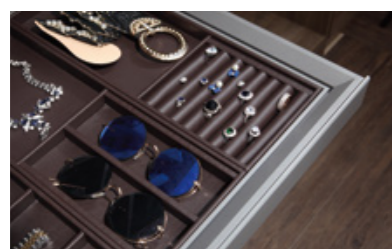
The width of the frame can be adjusted telescopically to fit a wide range of cabinet sizes.

E. *Arc envelope*

Smooth corner surface treatment, every detail highlights the humanized design, safe and safe to use.

TABLE OF CONTENTS

FOCUS ON SUPPORTING HARDWARE FUNCTION SYSTEM OF CLOAKROOM



Simplicity range 009

- Organizer
- Pants rack
- Clothes basket
- Clothes hanger
- Storage box



Corner range 027

- 3-tier revolving basket
- 4-tier revolving basket
- 2-tier revolving basket
- 3-tier revolving basket
- Revolving clothes hanger
- Revolving Pants rack



Oval range 053

- Organizer
- Pants rack
- Clothing basket
- Shoe rack
- Top attached pants rack
- Side attached pants rack
- Side attached tie rack
- Top attached clothes hanger
- Side attached basket



Elevator range 085

- Clothes hanger with double buffering
- Clothes hanger



Mirror range 089

- Revolving
- Push&pull



Clothes rail range 094



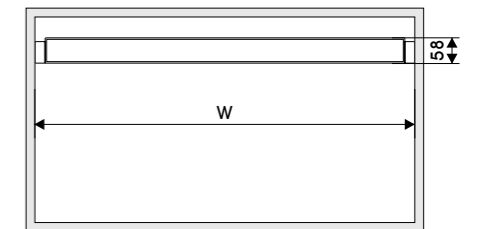
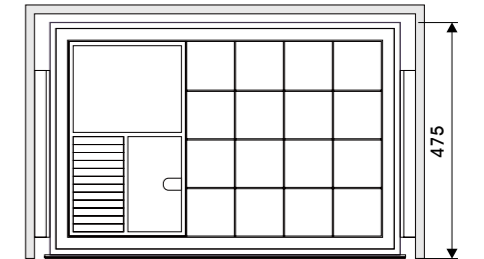
Lighting range 095

- Shelf lamp
- Glass shelf lamp
- Round lamp
- Clothes rail lamp
- Accessories



SIMPLICITY RANGE

ORGANIZER



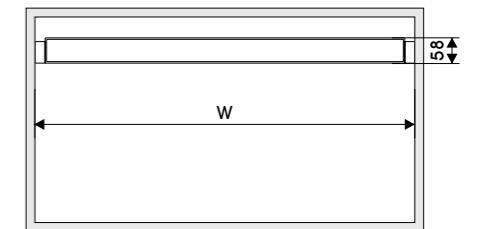
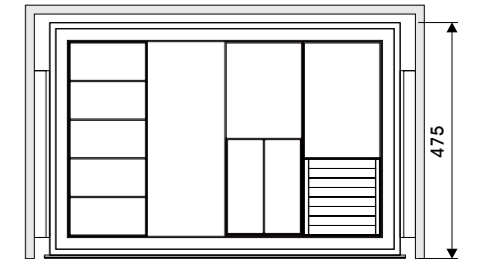
WB8001

MODEL	FIT:W	SIZE
WB8001-600	600mm	(558-570) x475x58
WB8001-700	700mm	(658-670) x475x58
WB8001-800	800mm	(758-770) x475x58
WB8001-900	900mm	(858-870) x475x58



SIMPLICITY RANGE

ORGANIZER



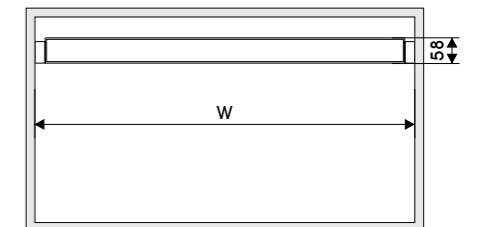
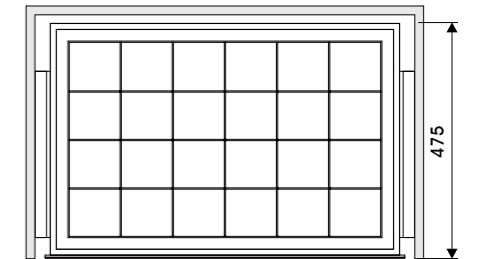
WB8002

MODEL	FIT:W	SIZE
WB8002-600	600mm	(558-570) x475x58
WB8002-700	700mm	(658-670) x475x58
WB8002-800	800mm	(758-770) x475x58
WB8002-900	900mm	(858-870) x475x58



SIMPLICITY RANGE

ORGANIZER



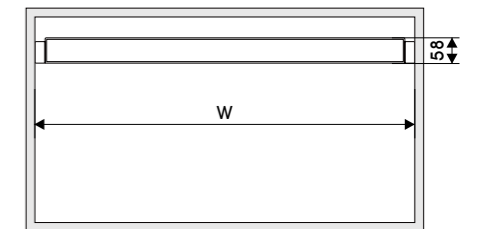
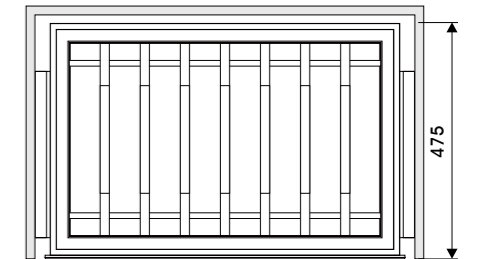
WB8003

MODEL	FIT:W	SIZE
WB8003-600	600mm	(558-570) x475x58
WB8003-700	700mm	(658-670) x475x58
WB8003-800	800mm	(758-770) x475x58
WB8003-900	900mm	(858-870) x475x58



SIMPLICITY RANGE

PANTS RACK



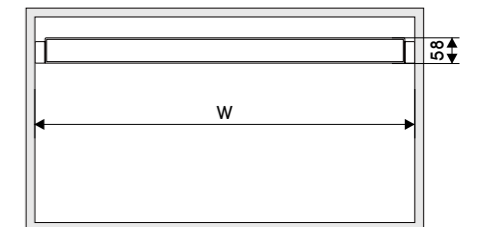
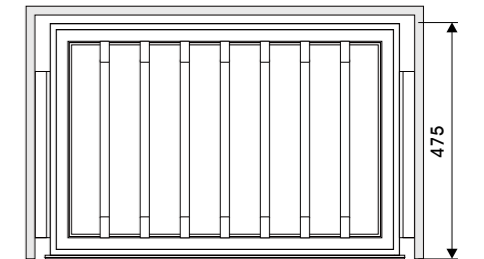
WB8004

MODEL	FIT:W	SIZE
WB8004-600	600mm	(558-570) x475x58
WB8004-700	700mm	(658-670) x475x58
WB8004-800	800mm	(758-770) x475x58
WB8004-900	900mm	(858-870) x475x58



SIMPLICITY RANGE

PANTS RACK



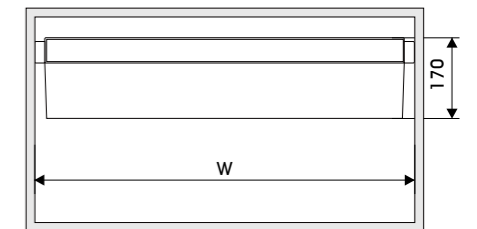
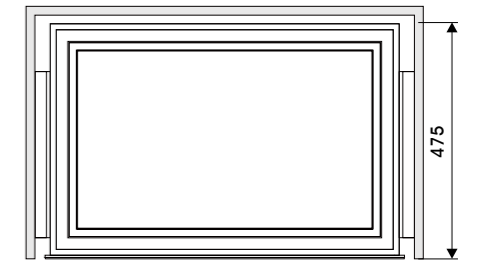
WB8005

MODEL	FIT:W	SIZE
WB8005-600	600mm	(558-570) x475x58
WB8005-700	700mm	(658-670) x475x58
WB8005-800	800mm	(758-770) x475x58
WB8005-900	900mm	(858-870) x475x58



SIMPLICITY RANGE

CLOTHES BASKET



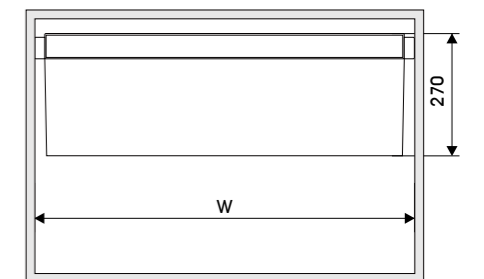
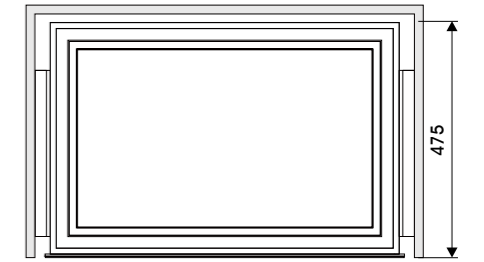
WB8006

MODEL	FIT:W	SIZE
WB8006-600	600mm	(558-570) x170x475
WB8006-700	700mm	(658-670) x170x475
WB8006-800	800mm	(758-770) x170x475
WB8006-900	900mm	(858-870) x170x475



SIMPLICITY RANGE

CLOTHES BASKET



WB8007

MODEL	FIT:W	SIZE
WB8007-600	600mm	(558-570) x270x475
WB8007-700	700mm	(658-670) x270x475
WB8007-800	800mm	(758-770) x270x475
WB8007-900	900mm	(858-870) x270x475



SIMPLICITY RANGE
CLOTHES HANGER

SIMPLICITY RANGE
STORAGE BOX



WB1020



WB1021



WB1019



WB1024



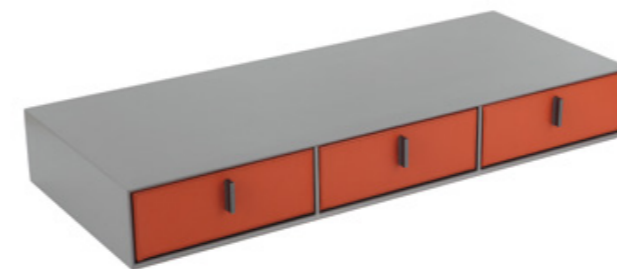
WB1018



WB1023



WB1022

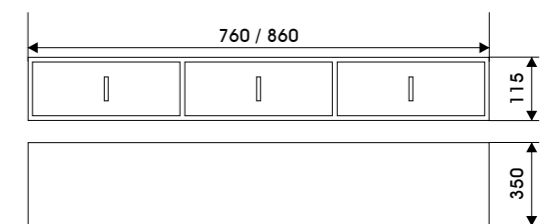


WB1013

SIZE

860x350x115mm

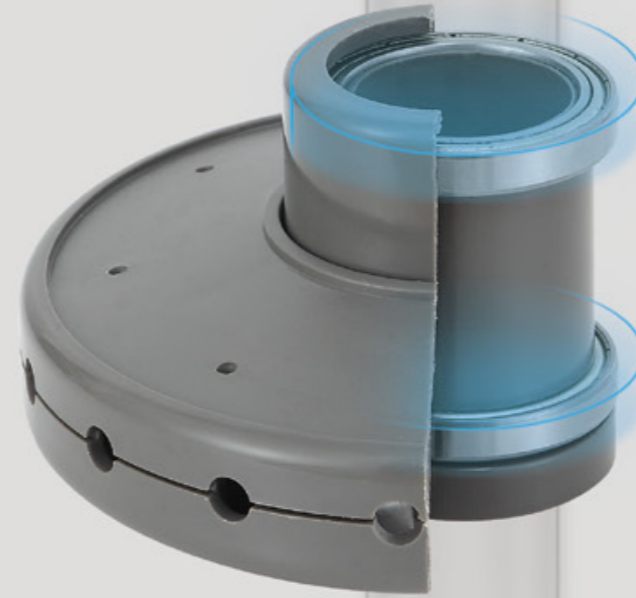
760x350x115mm





DOUBLE BEARING CONFIGURATION

Let you use more natural and unrestrained



DBL

DOUBLE BEARING

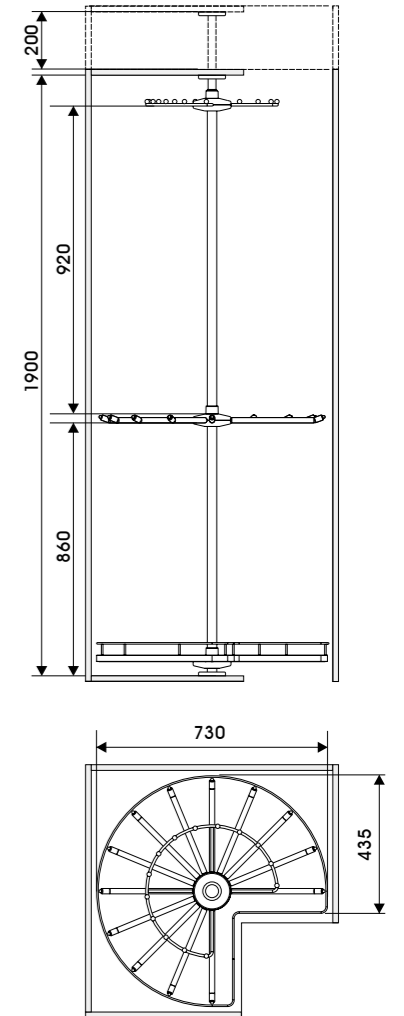
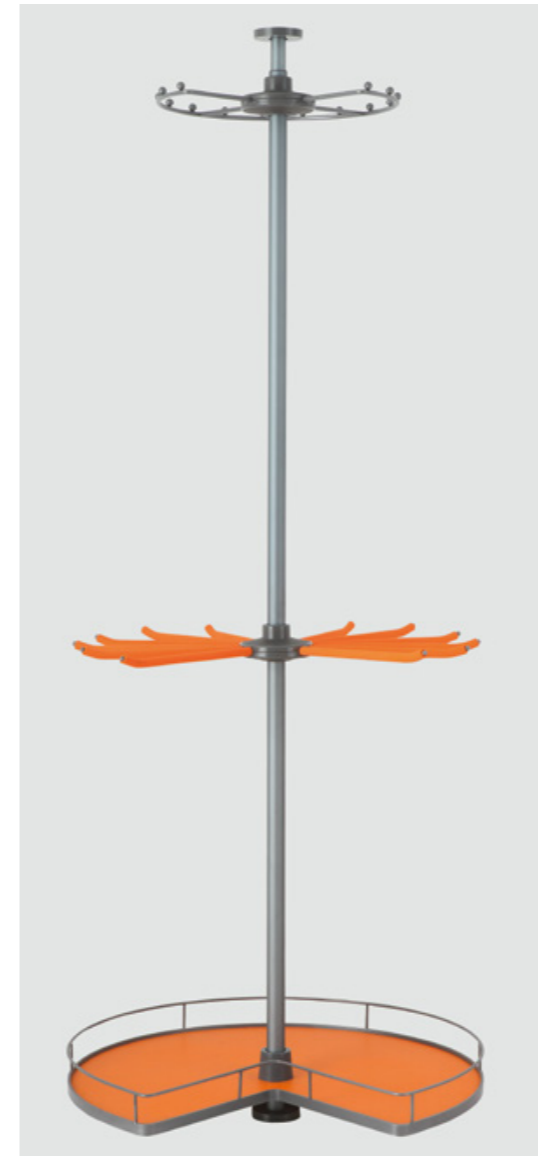
Quiet and smooth

Ensure that the double rail bearings are in the same plane greatly reduced friction coefficient during use make use more flexible



FOCUS ON HARDWARE FUNCTION SYSTEM OF CLOAKROOM

CLOAKROOM HARDWARE

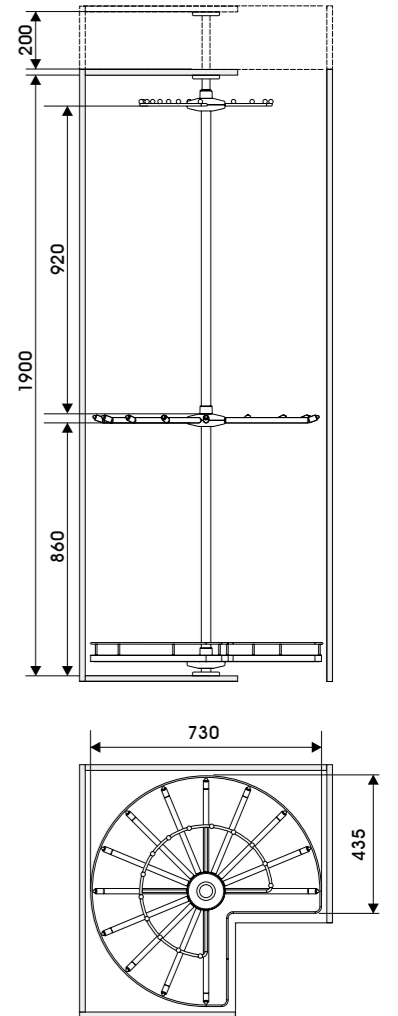


CORNER RANGE
3-TIER REVOLVING BASKET



WB1001C

MODEL	FIT:W	SIZE
WB1001C	800x800mm	730x (1900-2100) mm

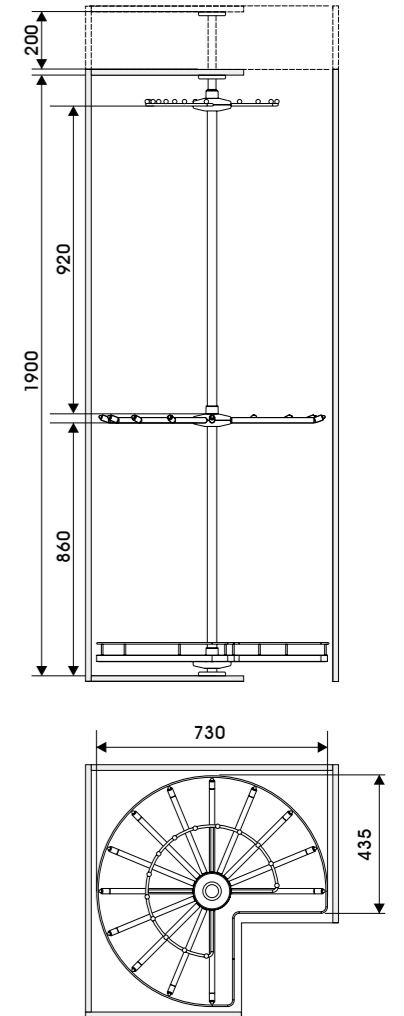


CORNER RANGE
3-TIER REVOLVING BASKET



WB1001G

MODEL	FIT:W	SIZE
WB1001G	800x800mm	730x (1900-2100) mm

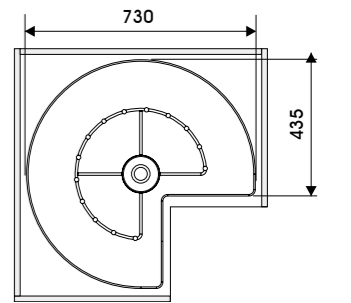
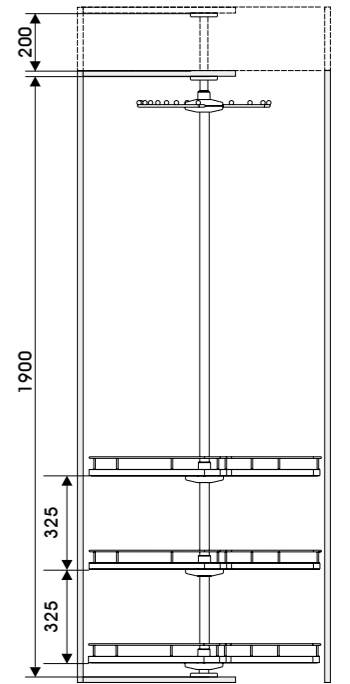


CORNER RANGE
3-TIER REVOLVING BASKET



WB1001G-B

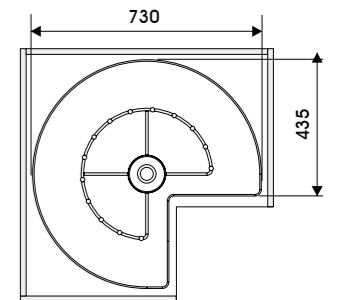
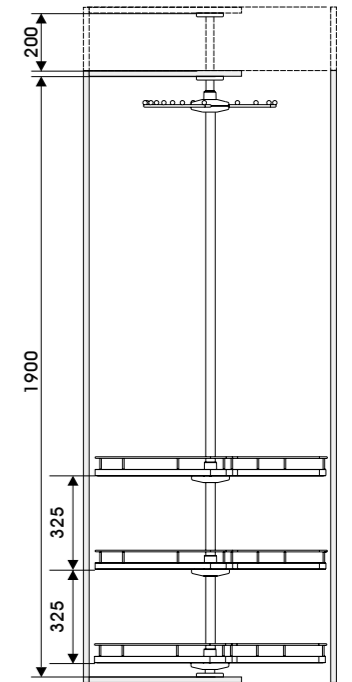
MODEL	FIT:W	SIZE
WB1001G-B	800x800mm	730x (1900-2100) mm



CORNER RANGE
4-TIER REVOLVING BASKET

WB1002C

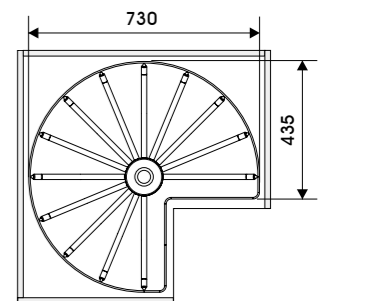
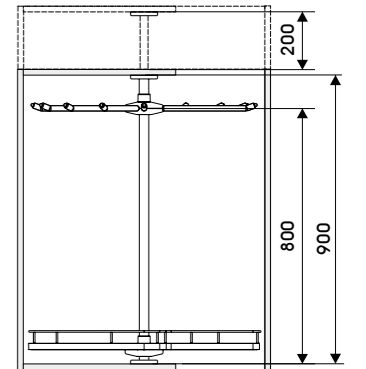
MODEL	FIT:W	SIZE
WB1002C	800x800mm	730x (1900-2100) mm



CORNER RANGE
4-TIER REVOLVING BASKET

WB1002G

MODEL	FIT:W	SIZE
WB1002G	800x800mm	730x (1900-2100) mm

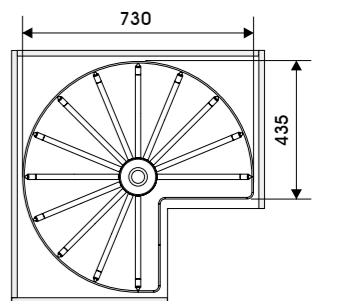
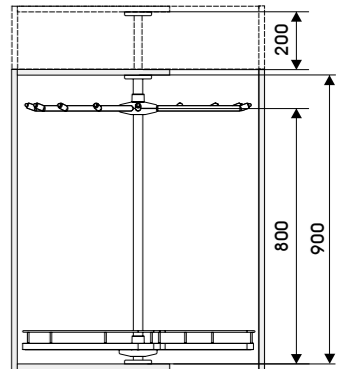


CORNER RANGE

2-TIER REVOLVING BASKET

WB1003C

MODEL	FIT:W	SIZE
WB1003C	800x800mm	730x (900-1100) mm

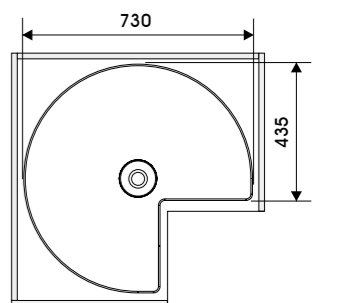
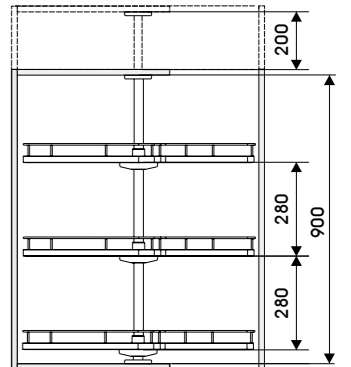
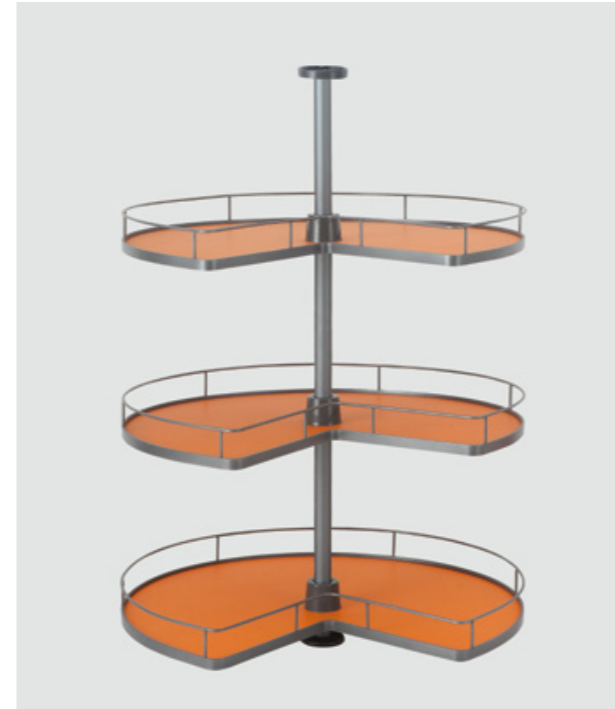


CORNER RANGE

2-TIER REVOLVING BASKET

WB1003G

MODEL	FIT:W	SIZE
WB1003G	800x800mm	730x (900-1100) mm

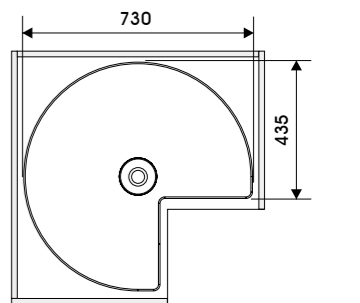
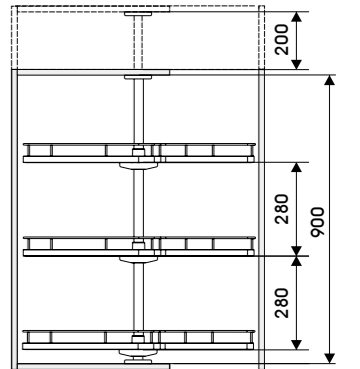


CORNER RANGE

3-TIER REVOLVING BASKET

WB1004C

MODEL	FIT:W	SIZE
WB1004C	800x800mm	730x (900-1100) mm



CORNER RANGE

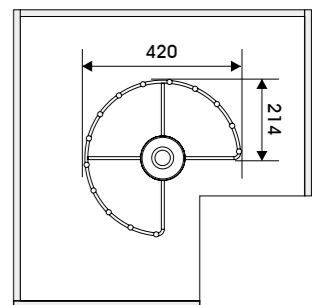
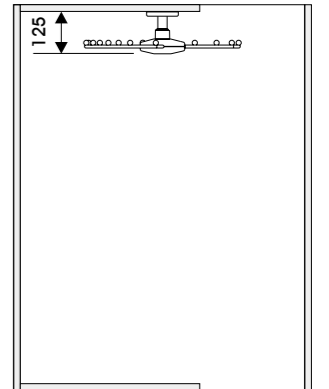
3-TIER REVOLVING BASKET

WB1004G

MODEL	FIT:W	SIZE
WB1004G	800x800mm	730x (900-1100) mm



CORNER RANGE
REVOLVING COLTHES HANGER

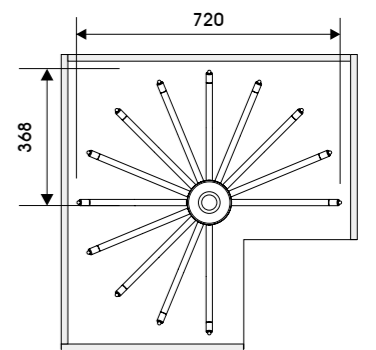
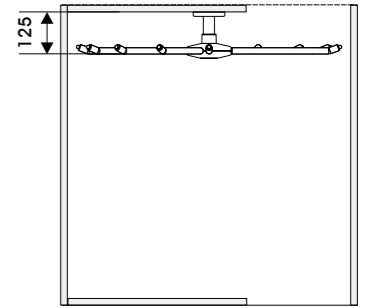


WB1005G

MODEL	FIT:W	SIZE
WB1005G	800x800mm	420x125mm



CORNER RANGE
REVOLVING PANTS RACK

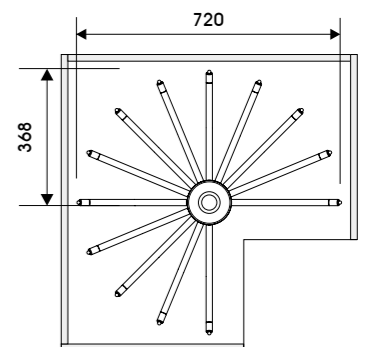
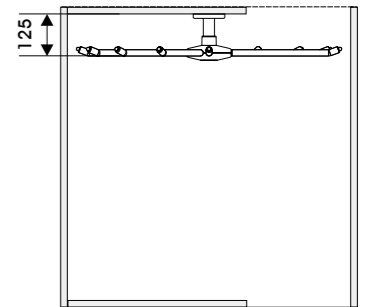


WB1006C

MODEL	FIT:W	SIZE
WB1006C	800x800mm	720x125mm



CORNER RANGE
REVOLVING PANTS RACK



WB1006G

MODEL	FIT:W	SIZE
WB1006G	800x800mm	720x125mm

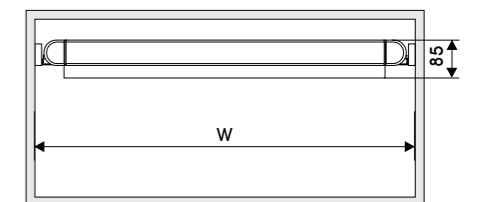
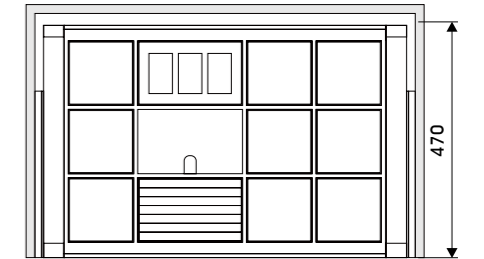


CLOAKROOM
HARDWARE STORAGE



OVAL RANGE

ORGANIZER



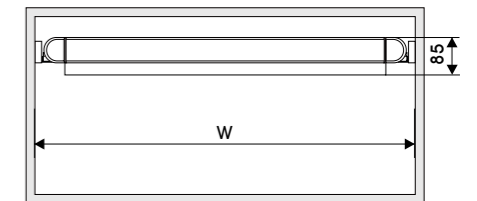
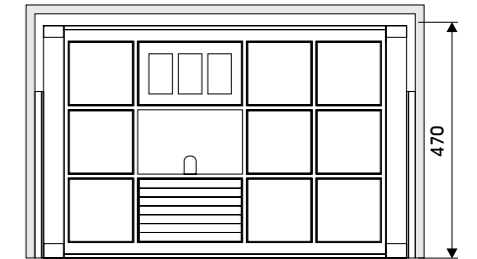
WB3001C

MODEL	FIT:W	SIZE
WB3001C-600	600mm	(564-614) x85x470mm
WB3001C-700	700mm	(664-714) x85x470mm
WB3001C-800	800mm	(764-814) x85x470mm
WB3001C-900	900mm	(864-914) x85x470mm



OVAL RANGE

ORGANIZER



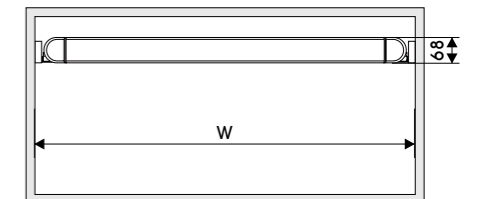
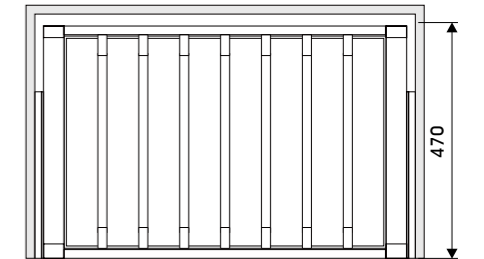
WB3001G

MODEL	FIT:W	SIZE
WB3001G-600	600mm	(564-614) x85x470mm
WB3001G-700	700mm	(664-714) x85x470mm
WB3001G-800	800mm	(764-814) x85x470mm
WB3001G-900	900mm	(864-914) x85x470mm



OVAL RANGE

PANTS RACK



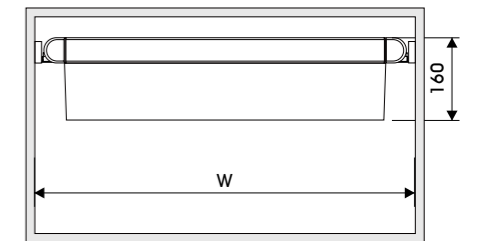
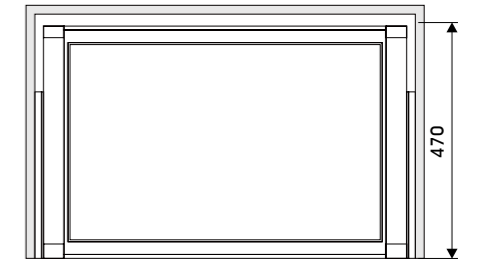
WB3002G

MODEL	FIT:W	SIZE
WB3002G-600	600mm	(564-614) x68x470mm
WB3002G-700	700mm	(664-714) x68x470mm
WB3002G-800	800mm	(764-814) x68x470mm
WB3002G-900	900mm	(864-914) x68x470mm



OVAL RANGE

CLOTHING BASKET



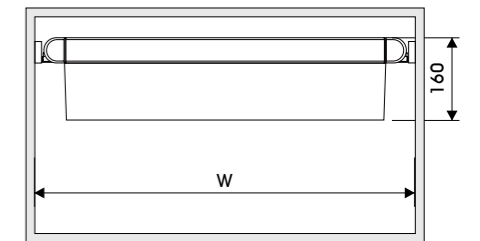
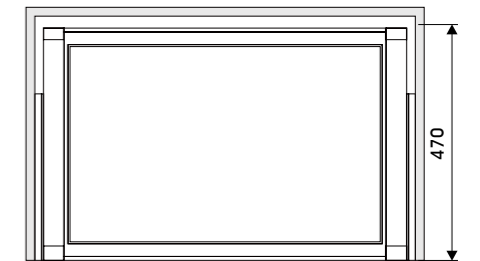
WB3003C

MODEL	FIT:W	SIZE
WB3003C-600	600mm	(564-614) x160x470mm
WB3003C-700	700mm	(664-714) x160x470mm
WB3003C-800	800mm	(764-814) x160x470mm
WB3003C-900	900mm	(864-914) x160x470mm



OVAL RANGE

CLOTHING BASKET



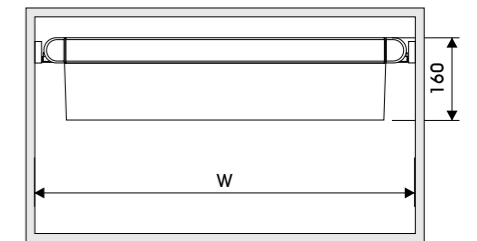
WB3003G

MODEL	FIT:W	SIZE
WB3003G-600	600mm	(564-614) x160x470mm
WB3003G-700	700mm	(664-714) x160x470mm
WB3003G-800	800mm	(764-814) x160x470mm
WB3003G-900	900mm	(864-914) x160x470mm



OVAL RANGE

CLOTHING BASKET



WB3005G

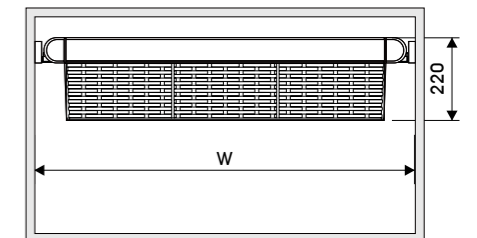
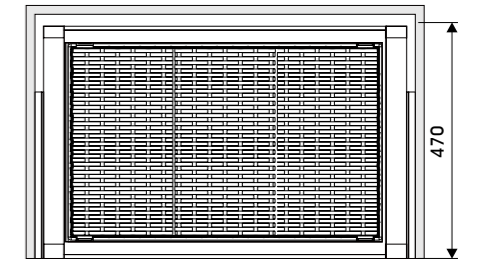
MODEL	FIT:W	SIZE
WB3005G-600	600mm	(564-614) x160x470mm
WB3005G-700	700mm	(664-714) x160x470mm
WB3005G-800	800mm	(764-814) x160x470mm
WB3005G-900	900mm	(864-914) x160x470mm

Note: basket is made by metal



OVAL RANGE

CLOTHING BASKET



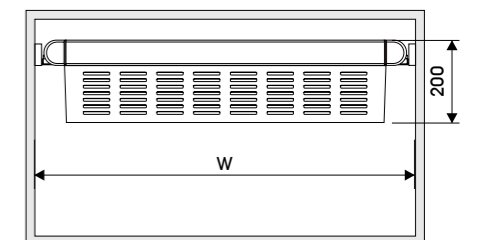
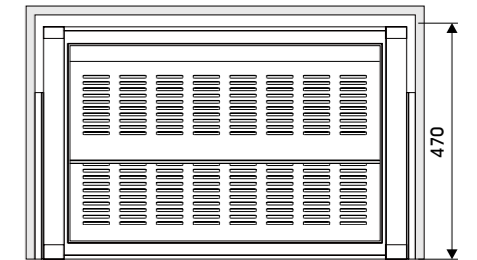
WB3004G

MODEL	FIT:W	SIZE
WB3004G-600	600mm	(564-614) x220x470mm
WB3004G-700	700mm	(664-714) x220x470mm
WB3004G-800	800mm	(764-814) x220x470mm
WB3004G-900	900mm	(864-914) x220x470mm



OVAL RANGE

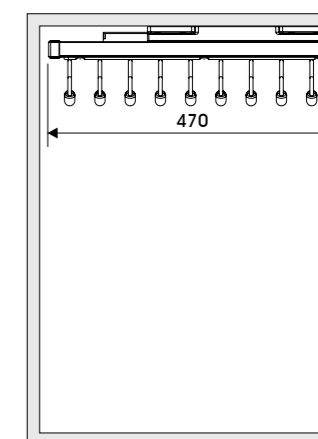
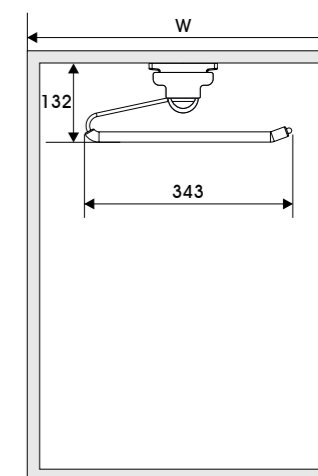
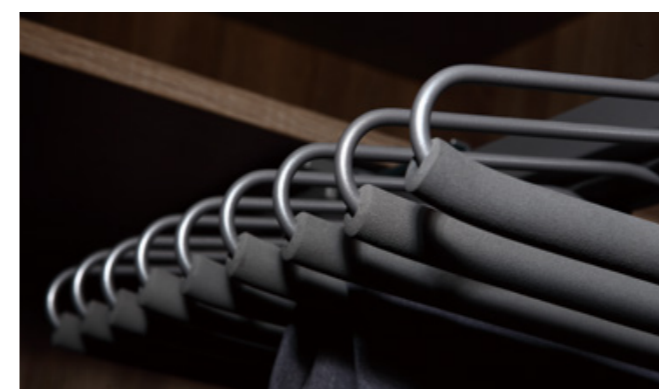
SHOE RACK



WB3006G

MODEL	FIT:W	SIZE
WB3006G-600	600mm	(564-614) x200x470mm
WB3006G-700	700mm	(664-714) x200x470mm
WB3006G-800	800mm	(764-814) x200x470mm
WB3006G-900	900mm	(864-914) x200x470mm

Note: basket is made by metal

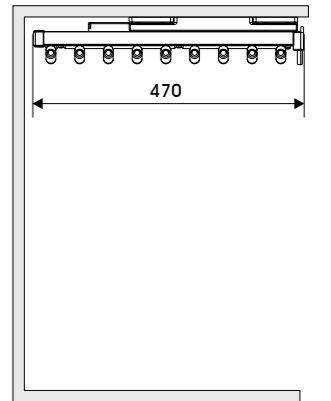
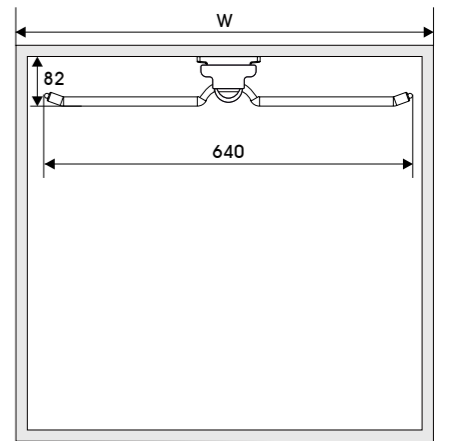


OVAL RANGE

TOP ATTACHED PANTS RACK

WB3007G-L/R

MODEL	FIT:W	SIZE
WB3007G-L/R	400mm	343x132x470mm

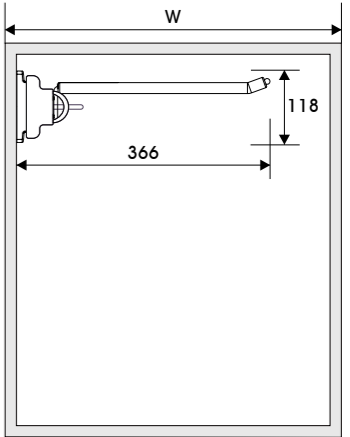
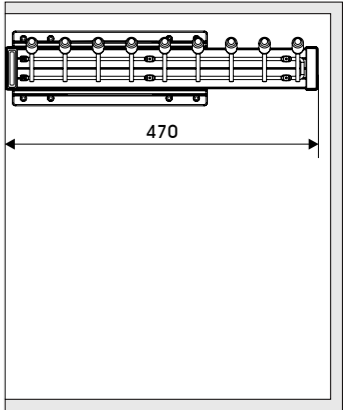


OVAL RANGE

TOP ATTACHED PANTS RACK

WB3008G

MODEL	FIT:W	SIZE
WB3008G	700mm	640x82x470mm

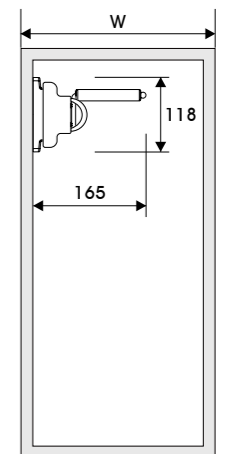
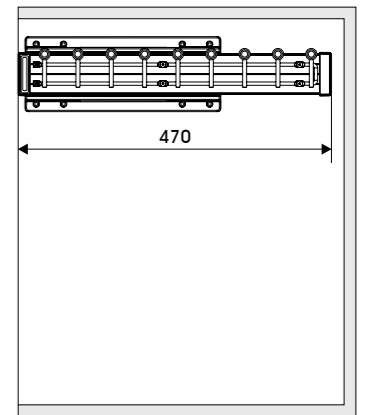


OVAL RANGE

SIDE ATTACHED PANTS RACK

WB3009G-L/R

MODEL	FIT:W	SIZE
WB3009G-L/R	450mm	366x118x470mm

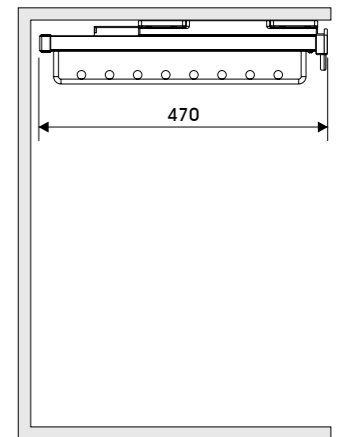
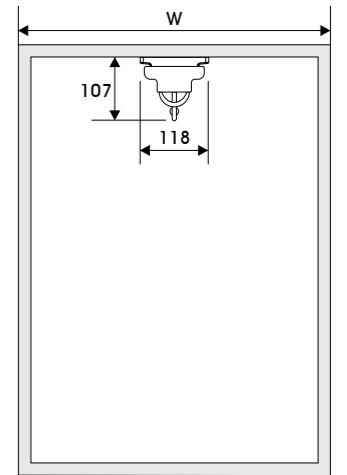


OVAL RANGE

SIDE ATTACHED TIE RACK

WB3010G-L/R

MODEL	FIT:W	SIZE
WB3010G-L/R	250mm	165x118x470mm

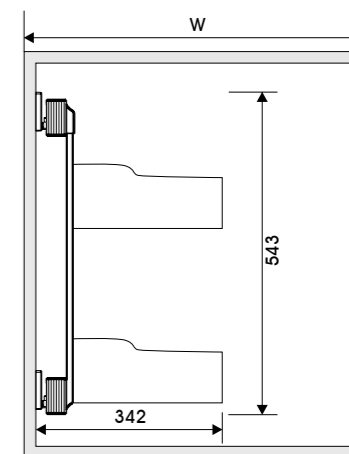
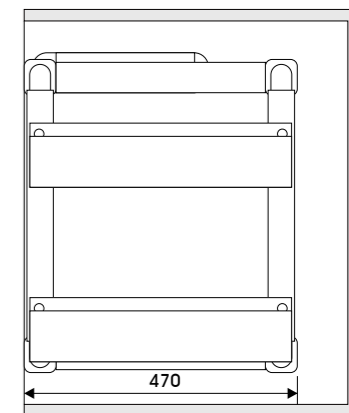


OVAL RANGE

TOP ATTACHED CLOTHES HANGER

WB3011G

MODEL	FIT:W	SIZE
WB3011G-8	500mm	118x107x470mm
WB3011G-5	500mm	118x170x306mm



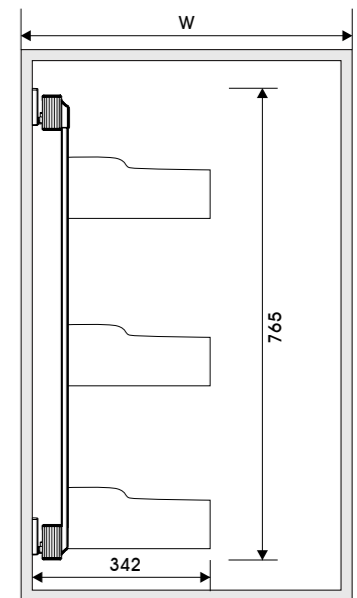
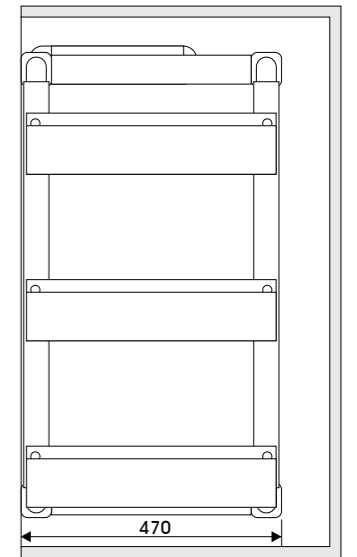
OVAL RANGE

SIDE ATTACHED BASKET

WB3012

MODEL	FIT:W	SIZE
WB3012C-L/R	400mm	342x543x470mm
WB3012G-L/R	400mm	342x543x470mm

Note: C:leather in orange G:leather in grax



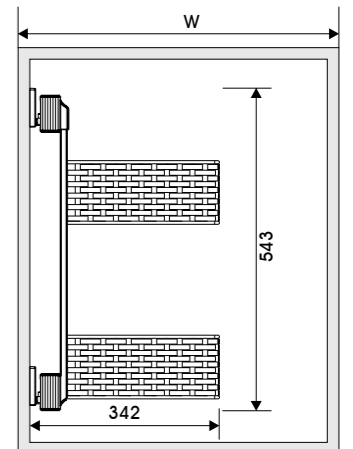
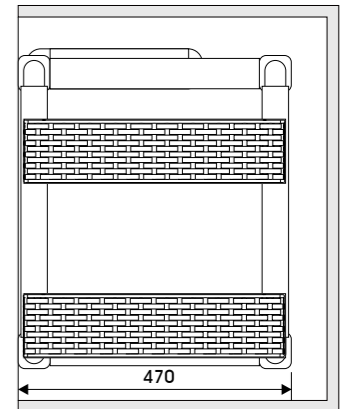
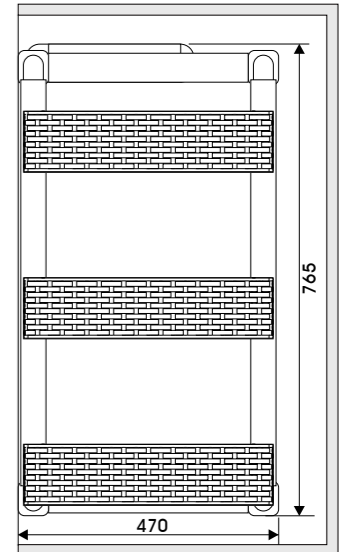
OVAL RANGE

SIDE ATTACHED BASKET

WB3013

MODEL	FIT:W	SIZE
WB3013C-L/R	400mm	342x765x470mm
WB3013G-L/R	400mm	342x765x470mm

Note: C:leather in orange G:leather in grax



OVAL RANGE

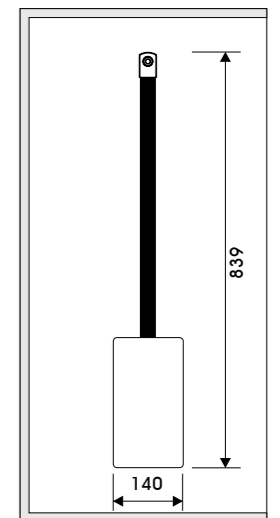
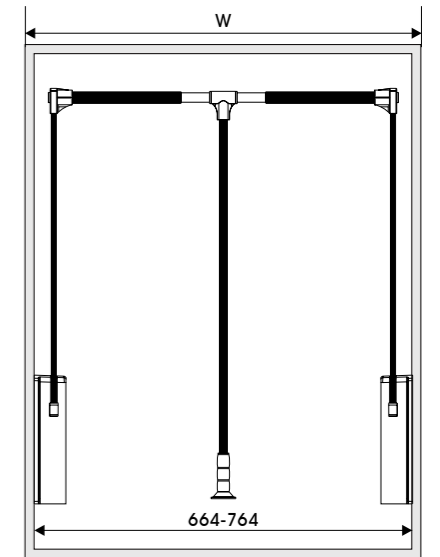
SIDE ATTACHED BASKET

WB3014G-L/R

MODEL	FIT:W	SIZE
WB3014G-L/R	400mm	342x543x470mm
WB3015G-L/R	400mm	342x765x470mm



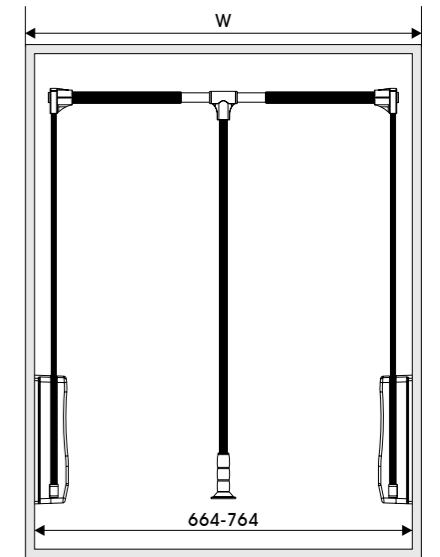
ELEVATOR RANGE
CLOTHES HANGER WITH DOUBLE BUFFERING



WB4011M

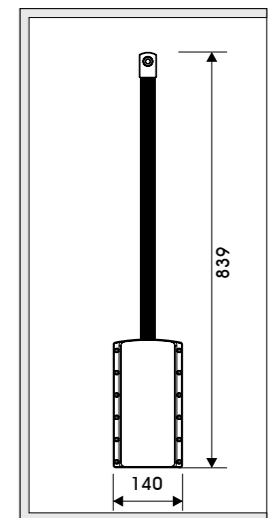
MODEL	FIT:W	SIZE	PULL
WB4011M	700-800mm	(664-764) x839x140mm	5kg

Note: double buffering function, M:mocha color



ELEVATOR RANGE

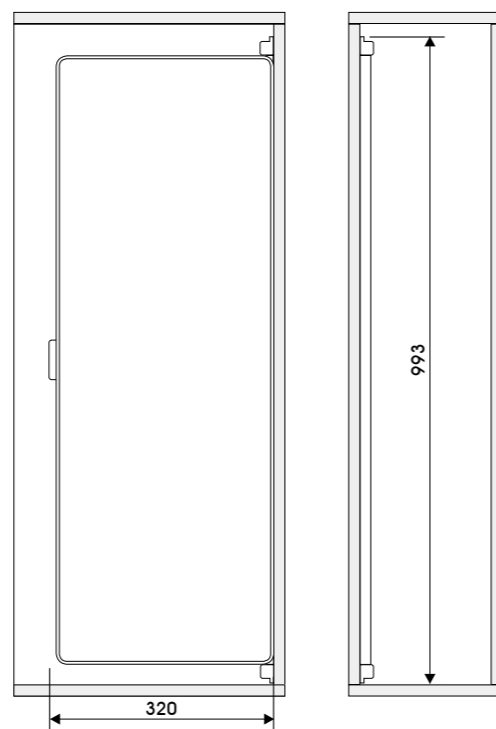
CLOTHES HANGER



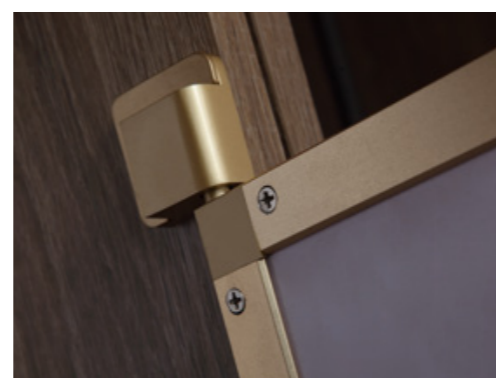
WB4012M

MODEL	FIT:W	SIZE	PULL
WB4012M	700-800mm	(664-764) x839x140mm	5kg

Note: M:mocha color

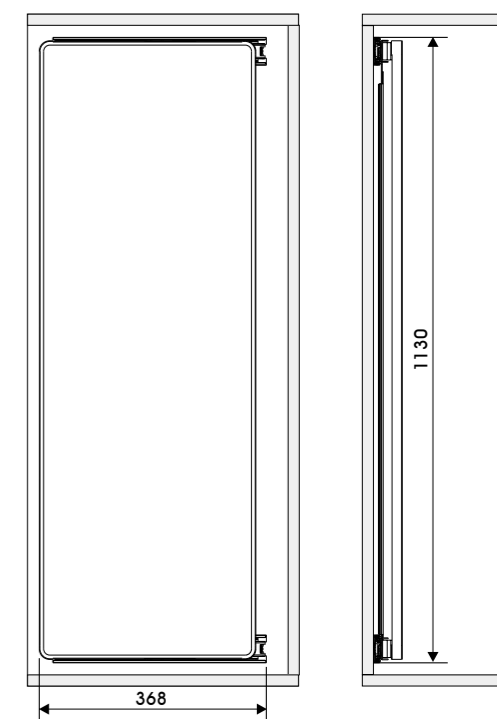


MIRROR RANGE
ROTATING MIRROR RANGE



WB601-X/K/H

MODEL	SIZE	COLOUR
WB601	993x320mm	X:champagne K: golden H:dark

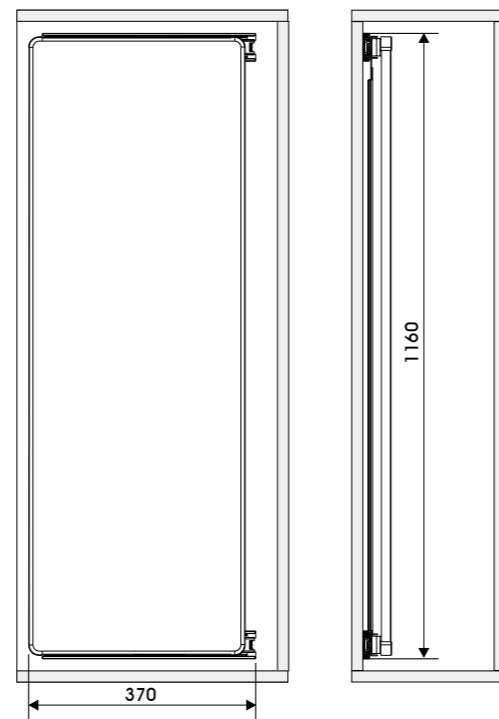


MIRROR RANGE
SLIDING MIRROR RANGE



WB602-X/K/H

MODEL	SIZE	COLOUR
WB602	1130x368mm	X:champagne K: golden H:dark

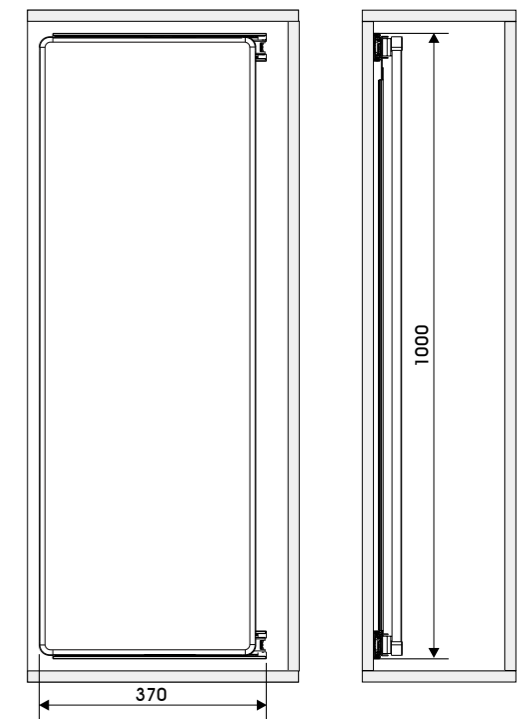


MIRROR RANGE
SLIDING MIRROR RANGE



WB603-X/R/H

MODEL	SIZE	COLOUR
WB603	1160x370mm	X:champagne R: rose gold color H:dark



MIRROR RANGE
SLIDING MIRROR RANGE



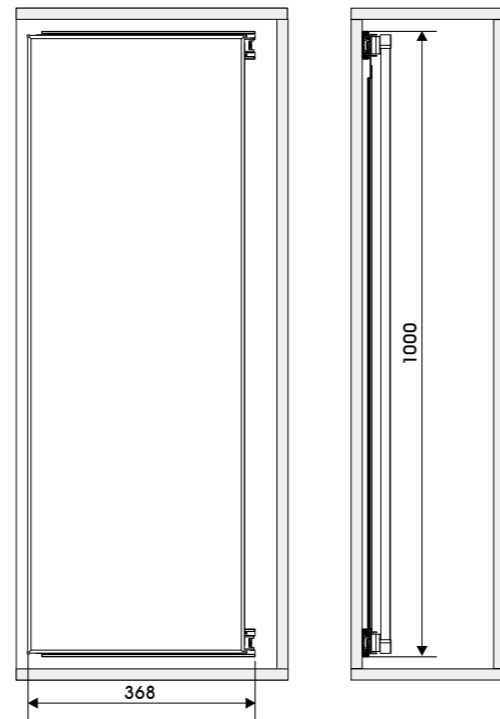
WB604-X/H

MODEL	SIZE	COLOUR
WB604	1000x370mm	X:champagne H:dark



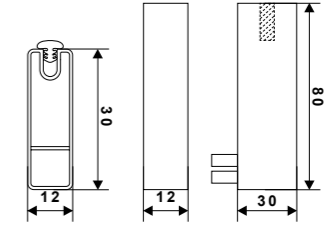
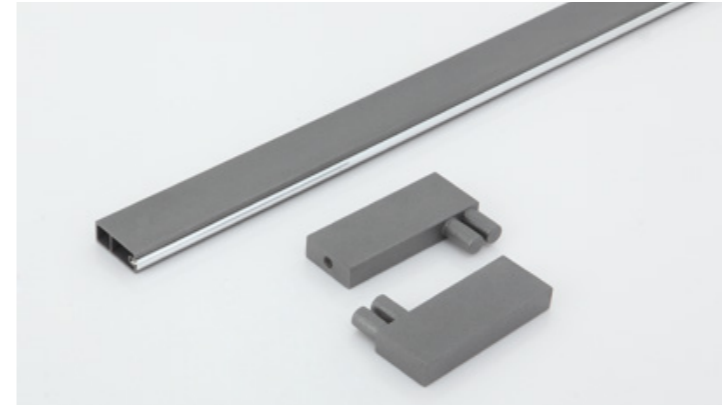
MIRROR RANGE

SLIDING MIRROR RANGE



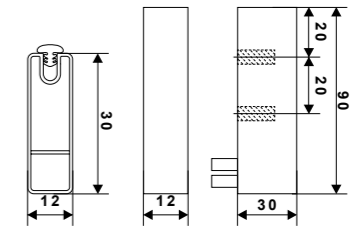
WB605-X

MODEL	SIZE	COLOUR
WB605	1000x368mm	X:champagne



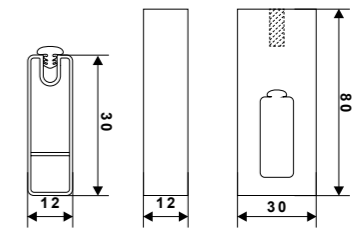
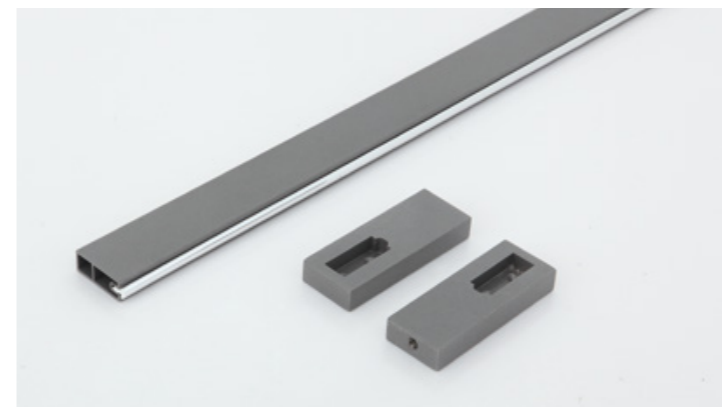
Assembly modes: top

WB501G-1 Cloth hanging raic brackets:30x80x12mm
Cloth hang raic:30x12mm



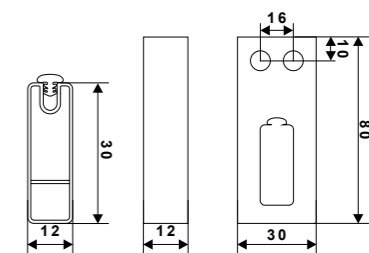
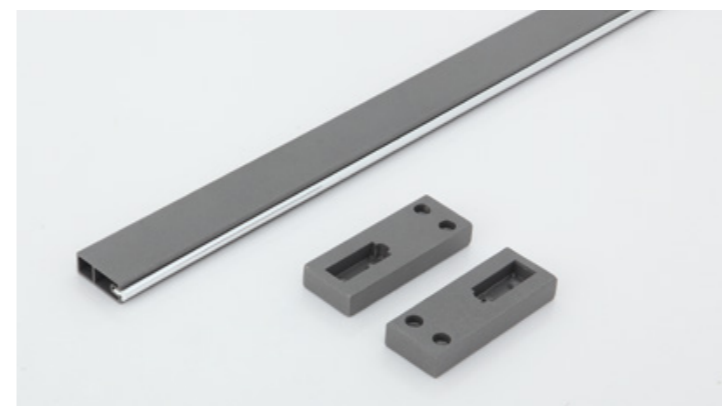
Assembly modes: side

WB501G-2 Cloth hanging raic brackets:30x90x12mm
Cloth hang raic:30x12mm



Assembly modes: top

WB502G-1 Cloth hanging raic brackets:30x80x12mm
Cloth hang raic:30x12mm



Assembly modes: side

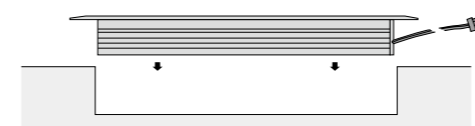
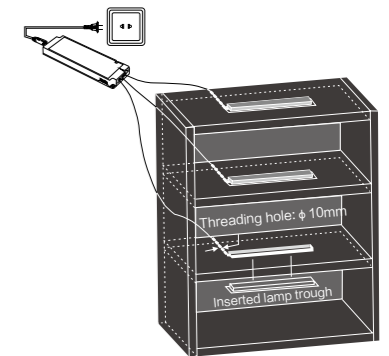
WB502G-2 Cloth hanging raic brackets:30x80x12mm
Cloth hang raic:30x12mm



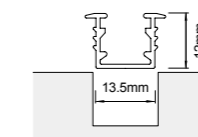
LIGHTING RANGE

SHELF LAMP

Features: Not dazzling effects, energy saving.



Length customized



Open size

Illumination angle

cm	lux
0	
25	410
50	130
75	60
70	30

WB1901

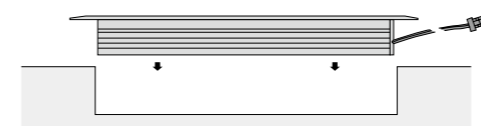
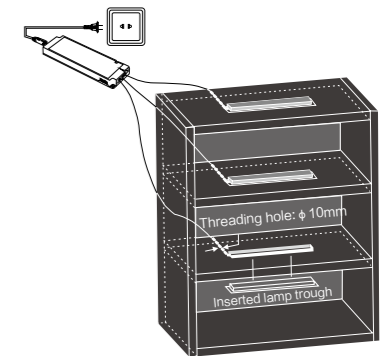
NUMBER	SIZE	POWER	VOLTAGR	CCT.	SMPS.	DRIVE MODE	SELECTIVE CLR	PACKING MODE
WB1901 600	600mm	5W	12VDC	3000K 4000K 6000K	Switch connected	Constant voltage	Chocolate brushed	Ench in polybag 50 pcs/pack
WB1901 800	800mm	6.5W						
WB1901 1000	1000mm	8W						
WB1901 1200	1200mm	9.5W						
WB1901 1500	1500mm	11W						



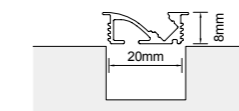
LIGHTING RANGE

SHELF LAMP

Features: Vertigo proof 45° degree corner light.



Length customized



Open size

Illumination angle

cm	lux
0	90°
25	410
50	130
75	60
70	30

WB1902 Inserted 45° shelf lamp

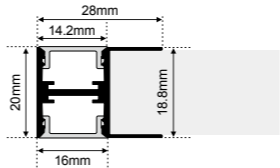
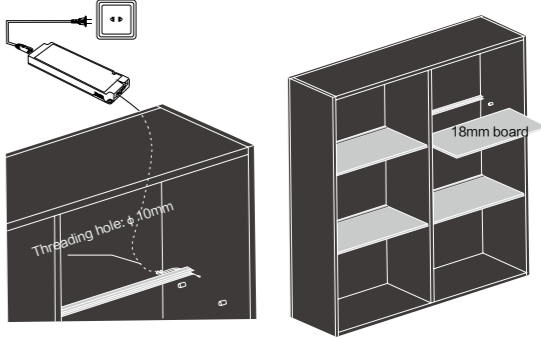
NUMBER	SIZE	POWER	VOLTAGR	CCT.	SMPS.	DRIVE MODE	SELECTIVE CLR	PACKING MODE
WB1902 600	600mm	5W	12VDC	3000K 4000K 6000K	Switch connected	Constant voltage	Chocolate brushed	Ench in polybag 50 pcs/pack
WB1902 800	800mm	6.5W						
WB1902 1000	1000mm	8W						
WB1902 1200	1200mm	9.5W						
WB1902 1500	1500mm	11W						



LIGHTING RANGE

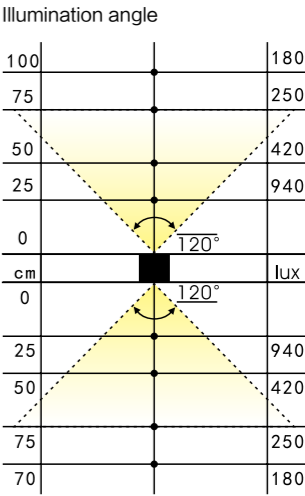
SHELF LAMP

Features: Energy saving.



Fits for 18mm-thickness wooden board with 20mm installing cut.

Lenth customized



WB1903 Lamp trough

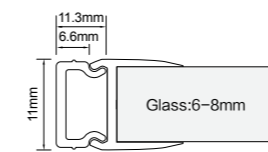
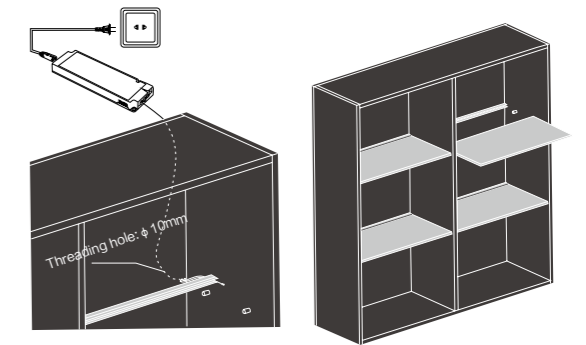
NUMBER	SIZE	POWER	VOLTAGR	CCT.	SMPS.	DRIVE MODE	SELECTIVE CLR	PACKING MODE
WB1903 600	600mm	10W	12VDC	3000K 4000K 6000K	Switch connected	Constant voltage	Chocolate brushed	Ench in polybag 50 pcs/pack
WB1903 800	800mm	13W						
WB1903 1000	1000mm	16W						
WB1903 1200	1200mm	19W						
WB1903 1500	1500mm	22W						



LIGHTING RANGE

SHELF LAMP

Features: Easy assembly, energy saving.



Fits 6-8mm glass shelf with 10mm installing cut.

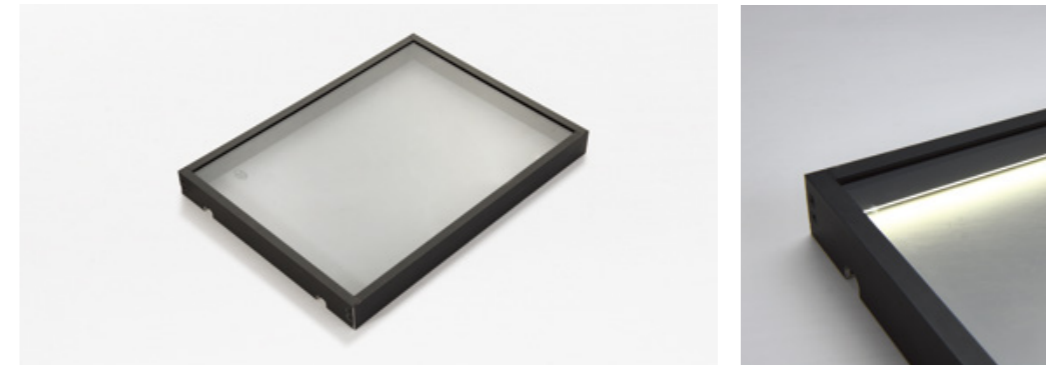
Length customized

Illumination angle

cm	lux
0	90°
25	410
50	130
75	60
70	30

WB1905 Lamp for glass shelf

NUMBER	SIZE	POWER	VOLTAGE	CCT.	SMPS.	DRIVE MODE	SELECTIVE CLR	PACKING MODE
WB1905 600	600mm	5W	12VDC	3000K 4000K 6000K	Switch connected	Constant voltage	Chocolate brushed	Each in polybag 50 pcs/pack
WB1905 800	800mm	6.5W						
WB1905 1000	1000mm	8W						
WB1905 1200	1200mm	9.5W						
WB1905 1500	1500mm	11W						



LIGHTING RANGE

GLASS SHELF LAMP

Features: Vertice proof, energy saving.

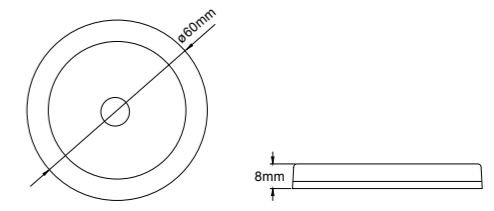
1. Drill holes according to diagram before assembling lamp.
2. Put lamp frame in place.
3. Fix the lamp frame by screws by the sequence (1, 2, 3, 4).
4. Glass shelf can be put on the lamp frame.

Illumination angle

cm	lux
0	
25	410
50	130
75	60
70	30

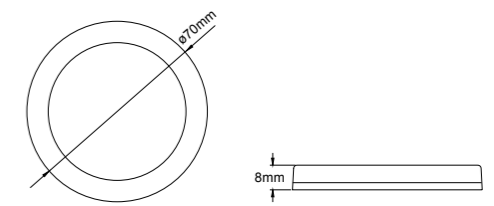
WB1911

NUMBER	SIZE	POWER	VOLTAGR	CCT.	SMPS.	DRIVE MODE	SELECTIVE CLR	PACKING MODE
WB1911 464	464X540mm	4W	12VDC	3000K 4000K 6000K	Switch connected	Constant voltage	Matte dark / Golden color	Ench in polybag 50 pcs/pack
WB1911 764	764X540mm	6.5W						
WB1911 864	864X540mm	7.4W						
WB1911 964	964X540mm	8.2W						
WB1911 464-3	464X300mm	4W						
WB1911 764-3	764X300mm	6.5W						
WB1911 864-3	864X300mm	7.4W						
WB1911 964-3	964X300mm	8.2W						



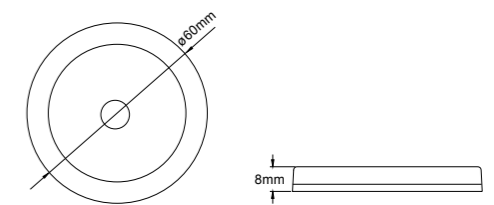
ROUND LAMP
Battery charged lamp

Model:WB1913
Power: 3.5W
Voltage: DC5V
Light source:SMD 2835 , presentation ≥ 90
Color temperature: 4000K
Size: $\Phi 60\text{mm}$
Materiac: 6360 aluminum
Swith mode: Human body sensor
Order method: standard size



ROUND LAMP
Super slim lamp

Model:WB1914
Power: 2W
Voltage: DC12V
Light source:SMD 4014 , presentation ≥ 90
Color temperature:4000K
Size: $\Phi 70\text{mm}$
Materiac: 6360 aluminum
Swith mode:Human body sensor/ Door touch sensor switch/
 Hand moving sensors switch/Touch switch
Order method: standard size



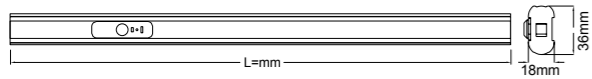
ROUND LAMP
With human body sensor lamp

Model:WB1915
Power: 2W
Voltage: DC12V
Light source:SMD 4014 , presentation ≥ 90
Color temperature:4000K
Size: $\Phi 60\text{mm}$
Materiac: 6360 aluminum
Swith mode:light sensor
Order method: standard size



LIGHTING RANGE

CLOTHES RAIL LAMP



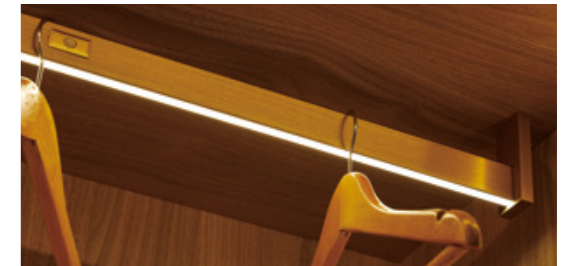
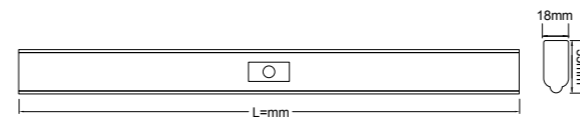
WB1916 Clothes hanging rail lamp with human body sensor(chargable)

NUMBER	SIZE	POWER	VOLTAGR	CCT.	SMPS.	DRIVE MODE	SELECTIVE CLR	PACKING MODE
WB1916 600	600mm	1.8W	3.7VDC	6000K	Human body sensor	Ni battery installed	Champagne	Ench in polybag 50 pcs/pack
WB1916 800	800mm	2.4W						
WB1916 1000	1000mm	3W						
WB1916 1200	1200mm	3.6W						



LIGHTING RANGE

CLOTHES RAIL LAMP



WB1917 Cloth hanger with sensor

NUMBER	SIZE	POWER	VOLTAGR	CCT.	SMPS.	DRIVE MODE	SELECTIVE CLR	PACKING MODE
WB1917 600	600mm	1.8W	12VDC	6000K	Switch connected	Constant voltage	Mocha color	Ench in polybag 50 pcs/pack
WB1917 800	800mm	2.4W						
WB1917 1000	1000mm	3W						
WB1917 1200	1200mm	3.6W						



ACCESSORIES

Power supply

Model:WB1924
 Input voltage:DC110-240V
 Output voltage:DC12V
 Power:18W
 Output electric current:1.5A
 Size:125x45x25mm



ACCESSORIES

Power supply

Model: WB1928
 Input voltage:DC80-265V
 Output voltage:DC12V
 Always bright mode:8 outputs
 Sensor mode:connected hand sensor switch 7 outputs
 Power:100W
 Output electric current:5A
 Size:165x62x25mm



ACCESSORIES

Power supply

Model:WB1925
 Input voltage: DC110-240V
 Output voltage:DC12V
 Power:24W
 Output electric current:3A
 Size: 135x45x18mm



ACCESSORIES

Power supply

Model:WB1929
 Input voltage:DC200-240V
 Output voltage:DC12V
 Power:24W
 Output electric current:2A
 Size:138x55x18mm



ACCESSORIES

Power supply

Model:WB1926
 Input voltage:DC110-240V
 Output voltage:DC12V
 Power:36W
 Output electric current:3A
 Size:125x45x25mm



ACCESSORIES

Power supply

Model:WB1930
 Input voltage:DC200-240V
 Output voltage:DC12V
 Power:36W
 Output electric current:3A
 Size:188x55x18mm



ACCESSORIES

Power supply

Model:WB1927
 Input voltage:DC80-265V
 Output voltage:DC12V
 Always bright mode:8 outputs
 Sensor mode:connected hand sensor switch 7 outputs
 Power:60W
 Output electric current:5A
 Size:165x62x25mm



ACCESSORIES

Power supply

Model:WB1931
 Input voltage:DC200-265V
 Output voltage:DC12V
 Power:60W
 Output electric current:5A
 Size:238x55x18mm



ACCESSORIES

Extended line

Model: WB1932
 Material: #22 copper line / #24 copper line
 Post: dupont



ACCESSORIES

Light string

Model: WB1935
 Power: 12W/m
 Color temperature: 3000K/4000K/6000K
 Width: 8mm
 Light source: SMD2835
 Input voltage: DC12V
 Bulb qty: 120pcs/m



ACCESSORIES

Wire organizing box

Model: WB1933
 Input current: 3/6/10, single output 3A, max output 8A



ACCESSORIES

Double door touch sensor

Model: WB1936
 Power: 60W
 Input voltage: DC12V
 Induction mode: occlusion response



ACCESSORIES

Light string

Model: WB1934
 Power: 8W/m
 Color temperature: 3000K/4000K/6000K
 Width: 5mm
 Light source: SMD2835
 Input voltage: DC12V
 Bulb qty: 120pcs/m



ACCESSORIES

Touch sensor

Model: WB1937
 Power: 36/60 W
 Input voltage: DC12V
 Induction mode: occlusion response