



R1 Series

Product and Technology Introduction



1

Product Features



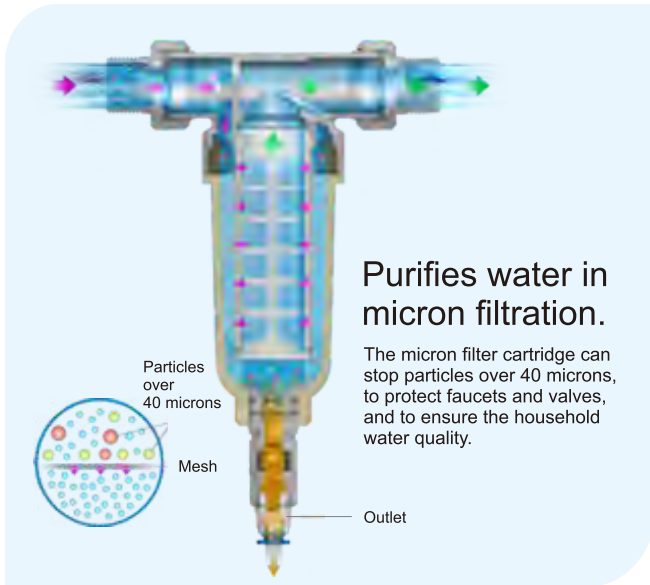
Pre-filter as for primary filtration of home users' water supply systems, Usually installed after the water meter of the inlet pipe, before the first water equipment. Use precision filter to directly intercept impurities in the water, effectively filter rust, debris, sediment, red worms, and algae in the source water to protect human health and other equipment in the water supply system.



2

Product Parameters

Suitable Water Source:	Municipal water supply
Materials:	High quality copper, Food grade stainless steel and PC
Water Pressure:	0.1Mpa - 0.8MPa
Working Temperature:	5°C - 45°C
Filtration Accuracy:	40 microns
Connection Mode:	Threaded Joint: S1/2 x S1/2 (Straight,Universal), S3/4 x S3/4 (Straight,Universal)
	PPR Joint (white, green, gray, orange): Q20 x Q20 (Straight,Universal) Q25 x Q25 (Straight,Universal)
Non-return Function:	When the main valve is closed, the reverse flow is prevented



The check valve design can prevent the filtered water from flowing back and protect the water meter.

The copper body can be 360 rotating to adapt installations in different angles.

The brass joint is made of high quality and environmental friendly material, which has high performances.

The filter bottle has eight arrises surrounding the edge on the top. It can use the bottle spanner to disassemble easily and quickly.

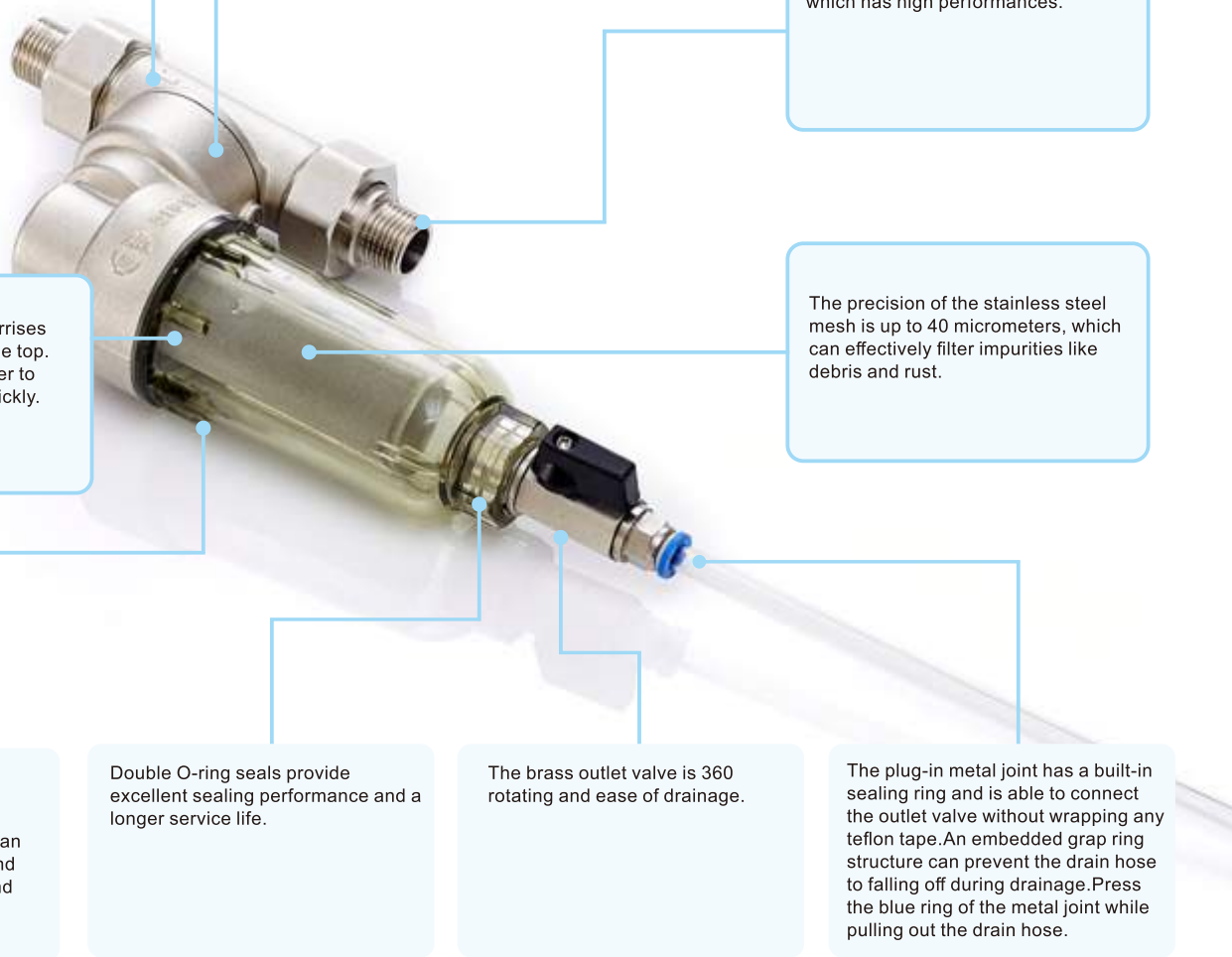
The precision of the stainless steel mesh is up to 40 micrometers, which can effectively filter impurities like debris and rust.

The filter bottle is made of Polycarbonate (PC), which is strong, stable and impact resistance. Smooth inner wall can prevent impurities like debris and rust to scaling in the pipeline and relative devices.

Double O-ring seals provide excellent sealing performance and a longer service life.

The brass outlet valve is 360 rotating and ease of drainage.

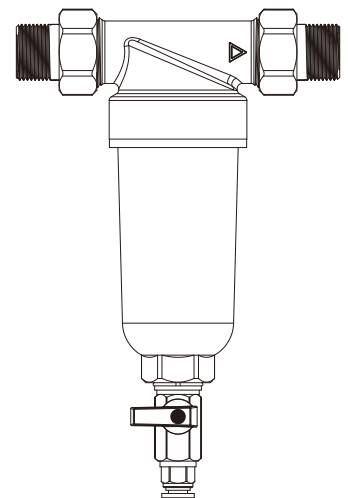
The plug-in metal joint has a built-in sealing ring and is able to connect the outlet valve without wrapping any teflon tape. An embedded grap ring structure can prevent the drain hose to falling off during drainage. Press the blue ring of the metal joint while pulling out the drain hose.





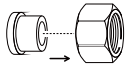
Cautions

- 1) This product must be installed vertically. Placing the copper body on the top and the filter bottle at the bottom.
- 2) The maximum working temperature should not exceed 45°C.
- 3) This product should avoid sun exposure to inhibit algae growth in the filter bottle. Frost damage should be prevented.
- 4) This product is used for the first filtration of municipal water and drinking water. Please do not apply in other water source.
- 5) Please avoid exposure to chemical, impact, overheating and scratching.
- 6) The main valve must be closed when cleaning. Stop water supply to avoid leakage.
- 7) When it is going to be idle for a long time, it is suggested to close the main valve and drain the water in the bottle so as to avoid cracking caused by frost.

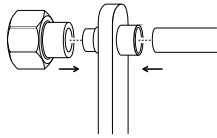


5 Product Installation

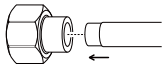
PP-R Joint



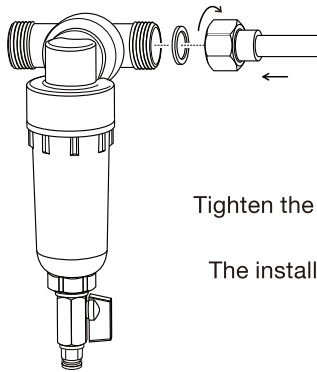
Insert the PP-R joint into the hexagon nut



Heat up the PP-R joint and the PP-R pipe with a fusion machine

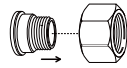


Insert the PP-R pipe into the PP-R joint



Tighten the threaded joint and the universal body
The installation is completed

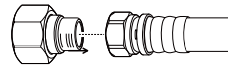
Threaded Joint



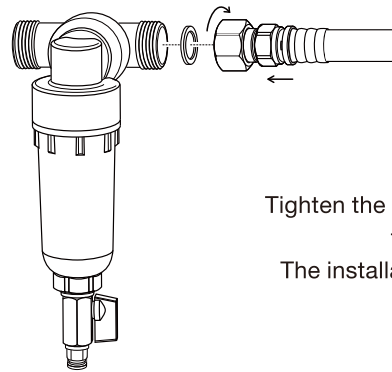
Screw the threaded joint into the hexagon nut



Wrap the teflon tape at the male thread of the joint



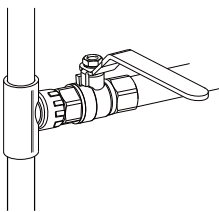
Use spanner to tighten the male joint and a female joint



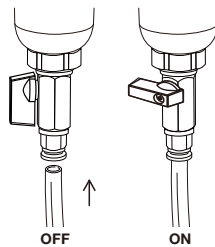
Tighten the threaded joint and the universal body
The installation is completed

6 Maintenance Procedure

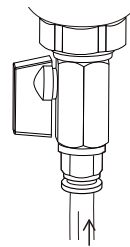
Close the main valve



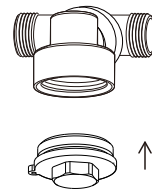
Insert a drain hose into the mental joint, open the outlet valve to expel impurities



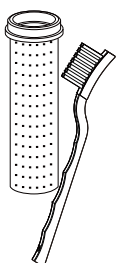
Press the blue ring of the metal joint while pulling out the drain hose



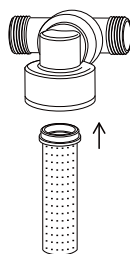
Tighten the end cap to prevent dripping



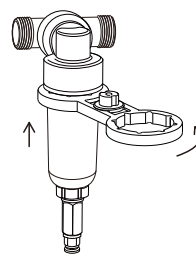
Clean the filter cartridge



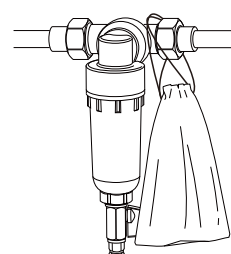
Install the filter cartridge



Use the bottlespanner to reassemble the filter bottle



Pack up tools and accessories with the storage bag



No.	Product Code	Series	Specification	Pic.
1	1100029787	R1-1	Qz101 Pre-Filter 1/2X1/2 (Nickeled)	
2	1100029788		QZ101 Pre-Filter 3/4X3/4 (Nickeled)	
3	1100029789	R1-1S	QZ101 Pre-Filter 1/2X1/2 (Universal) (Nickeled)	
4	1100029790		QZ101 Pre-Filter 3/4X3/4 (Universal) (Nickeled)	
5	1100029791	R1-2	QZ101 Pre-Filter F12-20X20 (Green) (Nickeled)	
6	1100029792		QZ101 Pre-Filter F12-20X20 (White) (Nickeled)	
7	1100029793		QZ101 Pre-Filter F12-25X25 (Green) (Nickeled)	
8	1100029794		QZ101 Pre-Filter F12-25X25 (White) (Nickeled)	
9	1100029805	R1-2S	QZ101 Pre-Filter F12-20X20 (Universal) (Green) (Nickeled)	
10	1100029806		QZ101 Pre-Filter F12-20X20 (Universal) (White) (Nickeled)	
11	1100029807		QZ101 Pre-Filter F12-25X25 (Universal) (Green) (Nickeled)	
12	1100029808		QZ101 Pre-Filter F12-25X25 (Universal)(White) (Nickeled)	

Warranty Card

User name	Phone	Date of purchase
Product name	Product series	Place of purchase
Contact address		
Warranty period	Five-year warranty for the copper part and the plastic bottle. One-year warranty for the filter cartridge and the sealing rings.	

Please report the defective product to your supplier with this warranty card completed. Supplier is required to send the warranty claim form to Rifeng or authorized service partner with all the necessary information. Customers must present this warranty card and other related materials when required. Please fill in the required information above when your product is defective, scan and send it to your supplier or email your supplier with all the information.

Excluded from warranty are damages due to:

- Force majeure and man-made factors
 - Disassemble the product before claim
 - Damages caused by non-Rifeng products and accessories
 - Any other improper activities not listed above or damage caused by the fault or negligence of anyone other than Rifeng
- Please note Rifeng reserves the ultimate explanation right on this warranty card.



RIFENG ENTERPRISE GROUP CO., LTD.

No.16, Zumiao Road, Foshan, Guangdong, PR China 528000

T: +86 757 8223 7822

F: +86 757 8213 8120

W: www.rifeng.com

E: overseas@rifeng.com